

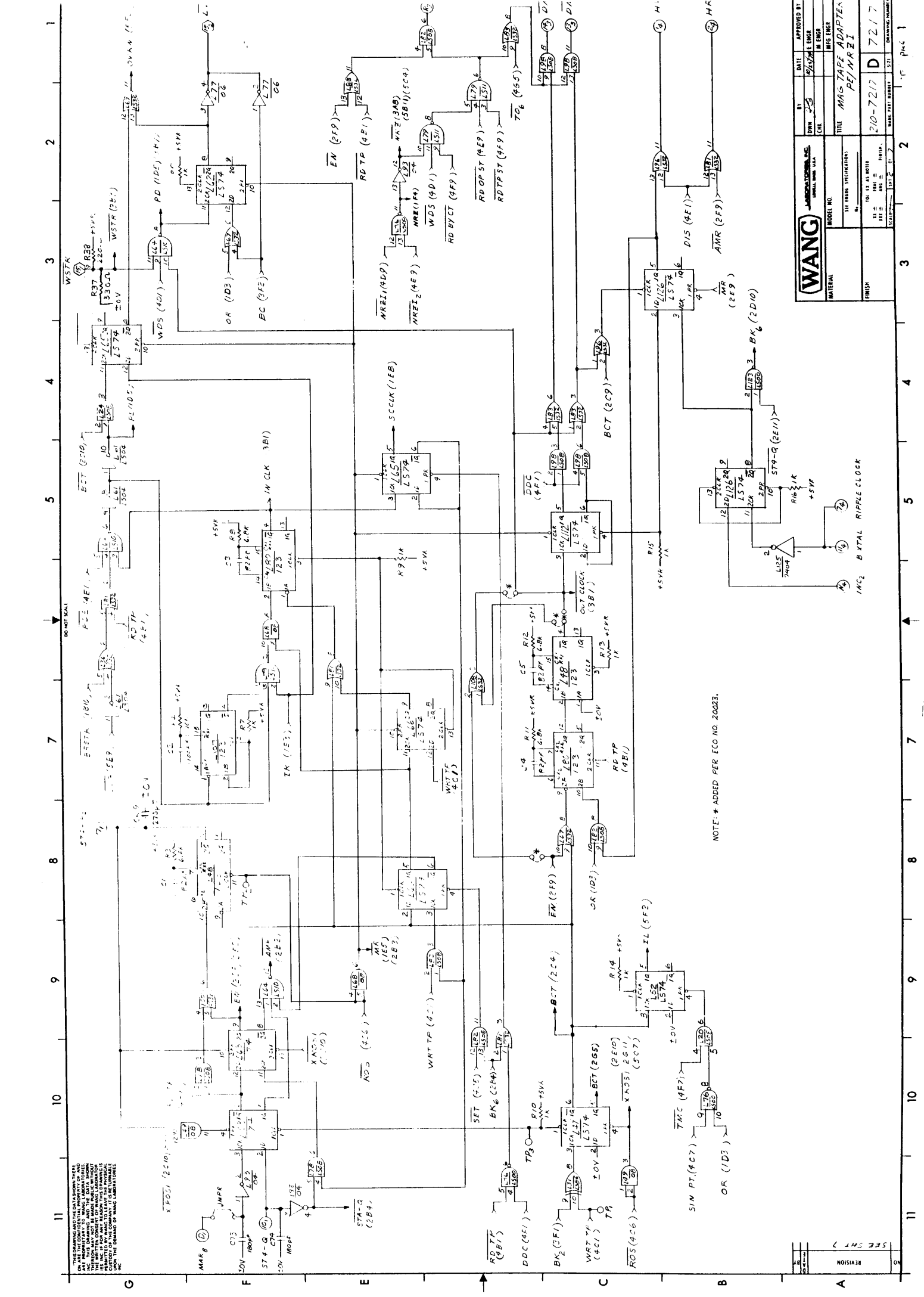
WANG		DATE	APPROVED BY
LABORATORIES, INC.		DATE	DATE
MATERIAL		TITLE	
MODEL NO.		MAG TAPE ADAPTER	
SHEET NO.		REV.	
SHEET TOTAL		SHEET NO.	
FINISH		DRAWING NUMBER	
D		7217	
2		1	

22U05
22U25

ON THE CONSTRUCTION OF THIS DRAWING, THE FOLLOWING INFORMATION IS TO BE OBSERVED: THIS DRAWING IS THE PROPERTY OF WANG LABORATORIES, INC. AND IS NOT TO BE REPRODUCED OR TRANSMITTED IN ANY FORM OR BY ANY MEANS, ELECTRONIC OR MECHANICAL, INCLUDING PHOTOCOPYING, RECORDING, OR BY ANY INFORMATION STORAGE AND RETRIEVAL SYSTEM, WITHOUT THE WRITTEN PERMISSION OF WANG LABORATORIES, INC. THE INFORMATION ON THIS DRAWING IS SUBJECT TO CHANGE WITHOUT NOTICE.

REVISION	SEE 5HT 7
----------	-----------

THIS DRAWING IS THE PROPERTY OF WANG AND IS LOANED TO YOU FOR YOUR INFORMATION ONLY. THE DRAWING AND THE DATA WORKS HEREON ARE TO BE KEPT IN CONFIDENCE AND NOT TO BE REPRODUCED OR TRANSMITTED IN ANY FORM OR BY ANY MEANS WITHOUT THE WRITTEN CONSENT OF WANG LABORATORIES. THIS DRAWING IS TO BE RETURNED TO WANG LABORATORIES UPON THE DEMAND OF WANG LABORATORIES.

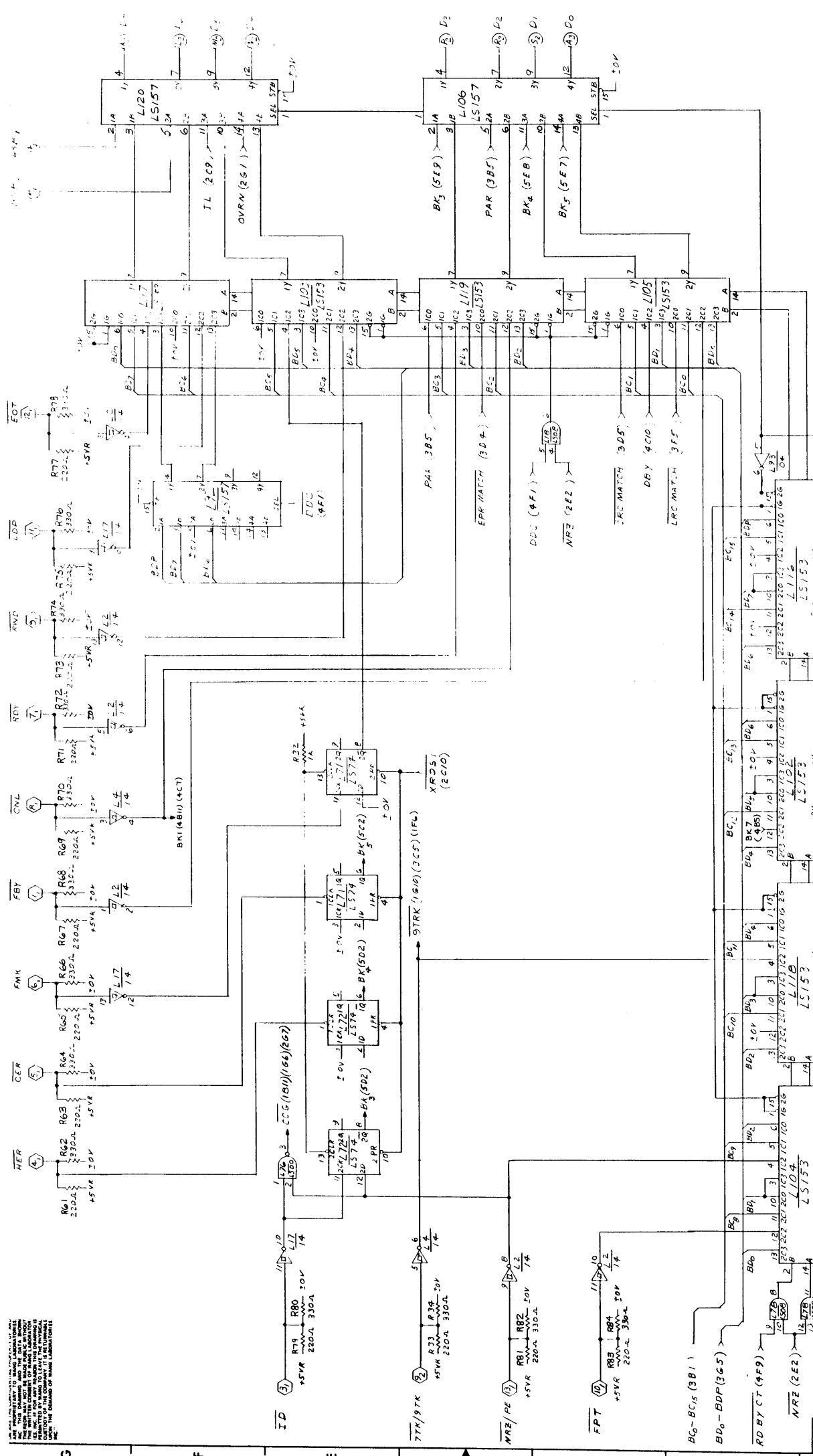


WANG		DATE	APPROVED BY
MATERIAL		CHK	ENGR
MODEL NO.		TITLE	ENGR
SIT DATA SPECIFICATIONS		210-7217	D
FINISH		210-7217	D
DRAWING NUMBER		210-7217	D
DRAWING NAME		210-7217	D

BY	DATE	APPROVED BY
CHK	ENGR	ENGR
TITLE	ENGR	ENGR
210-7217	D	D
210-7217	D	D
210-7217	D	D

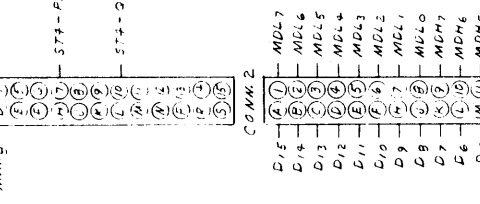
REVISION	DATE	BY
1		

FOR INFORMATION TO WANG LABORATORIES
 THIS DRAWING IS THE PROPERTY OF WANG LABORATORIES
 AND IS NOT TO BE REPRODUCED OR TRANSMITTED IN ANY FORM OR BY ANY MEANS, ELECTRONIC OR MECHANICAL, INCLUDING PHOTOCOPYING, RECORDING, OR BY ANY INFORMATION STORAGE AND RETRIEVAL SYSTEM, WITHOUT THE WRITTEN PERMISSION OF WANG LABORATORIES.
 THE DESIGN OF THIS DRAWING IS THE PROPERTY OF WANG LABORATORIES.
 SEE SMT 7

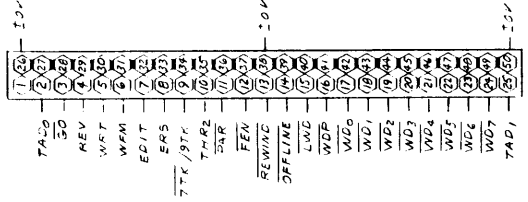
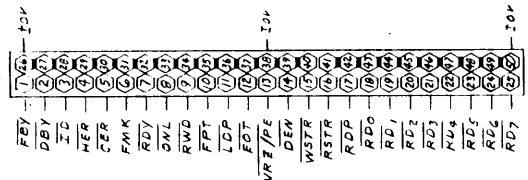


NO	REVISION	DATE	APPROVED BY
	SEE SMT 7	10/11/66	E. ENGR
MATERIAL	MODEL NO	DATE	BY
	WANG	10/11/66	W. ENGR
FINISH	SIT TIMES SPECIFICATIONS	TITLE	DATE
	11 2 3 4 5 6 7 8 9 10 11	MAG TAPE ADAPTER	10/11/66
SCHEMATIC	NO. 15 AS BUILT	210-7217	D 72.17
DRWG. NO.	NO. 15 AS BUILT	210-7217	D 72.17
DATE	NO. 15 AS BUILT	210-7217	D 72.17
BY	NO. 15 AS BUILT	210-7217	D 72.17
DATE	NO. 15 AS BUILT	210-7217	D 72.17
BY	NO. 15 AS BUILT	210-7217	D 72.17

ARE PROPRIETARY TO WANG LABORATORIES
 THIS DRAWING IS THE PROPERTY OF WANG LABORATORIES
 AND IS NOT TO BE REPRODUCED OR TRANSMITTED
 IN ANY FORM OR BY ANY MEANS WITHOUT THE
 WRITTEN PERMISSION OF WANG LABORATORIES.
 MADE IN U.S.A. BY WANG LABORATORIES, ST. LOUIS,
 MISSOURI.
 THE COMPANY AND ITS SUPPLIERS
 ACCEPT NO RESPONSIBILITY FOR THE RESULTS OF
 THIS DRAWING IF USED FOR ANY OTHER PURPOSE.
 THE COMPANY IS NOT RESPONSIBLE FOR THE
 RESULTS OF THIS DRAWING IF USED FOR ANY OTHER PURPOSE.



COMPONENT	WL NO	TYPE
R12-57, 9, 10, 13-24	330-3010	1K. 2.5W. 10%*
2A21, 29-32	330-3068	16.8K. 2.5W. 10%*
R3, B, 11, 12, 25	330-4010	10K. 2.5W. 10%*
R4, 36	330-4022	220K. 2.5W. 10%*
R33, 39, 39, 41, 43, 45, 47, 49, 51, 53, 55, 57, 59, 61, 63, 65, 67, 69, 71, 73, 75, 77, 79, 81, 83	330-5068	680K
R35	300-1022	52.5M. 500V. 5%*
C1, 2-5	300-1100	100 P.P. 500V. 5%*
C2	300-9022	15.4K. 2.5W. 10%*
C7, 71, 72	300-1960	1.0M. 2.5W. 10%*
C74-88	300-1270	2.70 PF. 500V
C 69	300-4019	934K. 15V. 7A
C70	300-1906	0.01M. 500V
CP	330-2033	330. 2.5W. 10%*
Q3A, 37, 40, 42, 44, 46, 48, 52, 54, 56, 58, 60, 62, 64, 66, 68, 70, 72, 74, 76, 78, 80, 82, 84	315-005	2N2222A
Q1	330-1027	37-40500
J1, 2	300-1180	180 PF. 500V. 5%*
C73, 74		



IC	LOCATION	WL PART NO	IC TYPE
L1	31, 47, 77	376-0055	7406
L2	4, 15, 17	376-0139	7414
L5	3	376-0104	9802
L6	9, 16, 23, 35, 37, 38, 73	376-0180	74LS04
L10	21, 36, 50, 61, 63, 76, 98	376-0211	74LS32
L11	27	376-0169	8501
L12	12	376-0168	8500
L13	78, 82, 90, 92	376-0170	8502
L19	33	376-0153	74LS08
L22	33	376-0213	74LS51
L25	28, 78, 85, 92, 94, 99, 105, 107	376-0208	74LS02
L26	91	376-0216	74LS157
L29	58	376-0242	74LS280
L30	36	376-0159	74LS174
L31	56, 57, 60	376-0231	74LS86
L32	35, 47, 52, 62, 69, 65, 66	376-0155	74LS74
L34	98, 99, 97, 101, 112, 126	376-0212	74LS42
L42	46	376-0289	74LS173
L43	46	376-0286	74LS374
L44	57	376-0192	74LS374
L49	80, 107	376-0080	74LS23
L51	55	376-0323	74LS225
L64	54, 123	376-0209	74LS170
L79	36	376-0207	74LS00
L86	8, 9, 100, 101	376-0233	74LS161
L88	91	376-0220	74LS193
L102	105, 116, 119	376-0156	74LS153
L121	122	376-0254	74LS138
L124	4	376-0128	74LS08
L23, 41, 25	109	376-0081	74LS08
L63	44	376-0010	7404
L70	85	376-0006	7474
L5		376-0016	7402
L5	TYPE	SPARES	
L5	7402	2	
L10	74LS32	3	
L108	74157	1	
L17	7414	2	
L17	7414	2	
L18	74LS04	2	
L24	74LS08	1	
L99	74LS00	1	
L19	74LS51	1	
L134	74LS74	1	

NO	REVISION	DATE	BY	APPROVED BY
1	ORC PER 4 E 59		ENG R SMITH	
2	REV PER EN'S 10/31/72		ENG R SMITH	
3	REV PER EN'S 11/16/72		ENG R SMITH	
4	REV PER EN'S 11/16/72		ENG R SMITH	
5	REV PER EN'S 11/16/72		ENG R SMITH	
6	REV PER EN'S 11/16/72		ENG R SMITH	
7	REV PER EN'S 11/16/72		ENG R SMITH	
8	REV PER EN'S 11/16/72		ENG R SMITH	
9	REV PER EN'S 11/16/72		ENG R SMITH	
10	ECO 20029		ENG R SMITH	

SIGNAL TERMINAL DESIGNATIONS, VIEW FROM BOTTOM (WARRANTY) CITE OF CONNECTION

MEMORANDUM	COORDINATE	MEMORANDUM	COORDINATE
B TOTAL	4 A 5		
DBY	4 5 6		
CER	5 6 9		
R5 - R15	4 E 11		
R20 - R27	1 D 11		
R30	5 6		
R35	4 5 6		
R40	1 D 1		
R45	5 6 5		
R50	1 B 11		
R55	5 6 5		
EDIT	1 C 1		
FOT	5 6 4		
ERS	1 B 1		
FBY	5 6 7		
FEM	4 A 6		
FMK	5 6 4		
FPT	5 6 11		
GD	4 A 7		
HER	5 6 9		
HR16	2 B 1		
HSB1	5 6 2		
HW16	2 B 1		
ID	5 E 11		
IMC2	2 A 6		
INT12	4 C 11		
INT16	5 6 5		
LDP	2 F 1		
LWD	5 6 7		
MARB	2 F 11		
MDM2	1 D 11		
MUL2	1 G 9		
MRE/PE	5 D 11		
OFFLINE	4 6 10		
OML	5 6 7		

WANG LABORATORIES		DATE	
DIV	CHE	DATE	BY
ENGINEER	CHE	7-27-72	ENG R SMITH
MATERIAL		7-27-72	ENG R SMITH
MODEL NO			
SITTING SPECIFICATIONS	MAG TAPE ADAPTER		
TO: IS AT	210-7217A D		
DATE	7-27-72		
STATE	MO		

E-REV 6