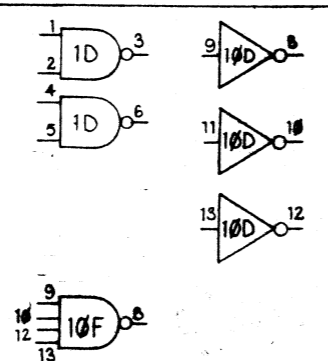
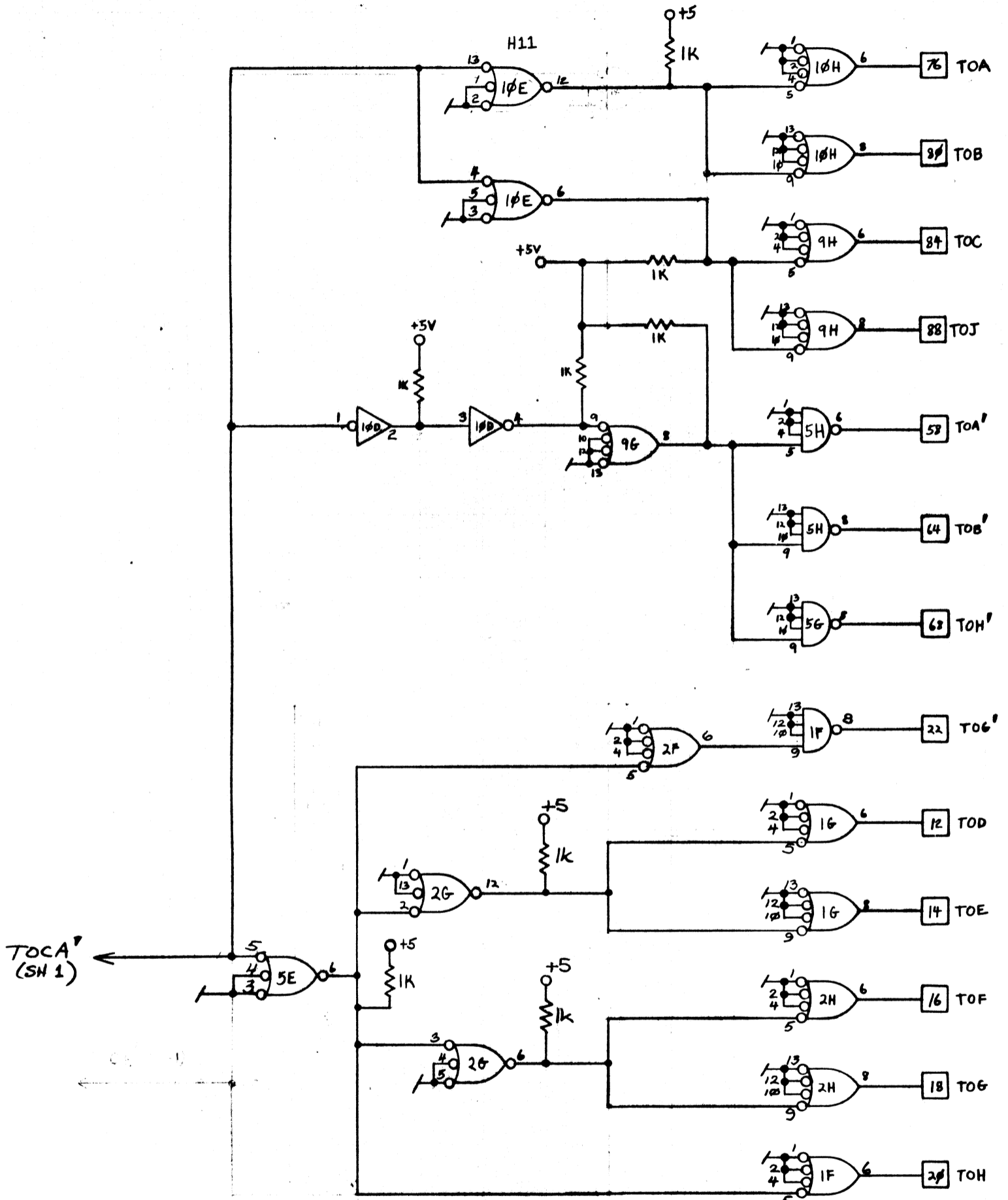


NOTES:
 1. UNLESS OTHERWISE SPECIFIED
 ALL RESISTORS ARE 1/8 W. 10% CARBON COMP.
 ALL CAPACITORS ARE CD10070
 ALL TRANSISTORS ARE QT93646
 ALL DELAY LINES ARE 50 ns TYPE WITH VARIABLE TAP




- 96 T000
- 102 T030
- 106 T060
- 114 T100

RELEASED LATEST REVISIONS 11/20/78		DATE	NAME	APPROVED
REVISIONS				
NO.	DESCRIPTION	DATE	NAME	APPROVED
1	1. DORGE			
2	2. TORIKU			
		CLOCK CARD NO. 1 C17		
FIRST USED-M1 FAST MEMORY		1	2	L0000 .2



TOCA
(SH.1)

TO3ad
(SH.1)

	
D. DODGE M. MATSUYAMA	11/21/73
FIRST USED-M1 FAST MEMORY C17	2
L01000 . 2	2