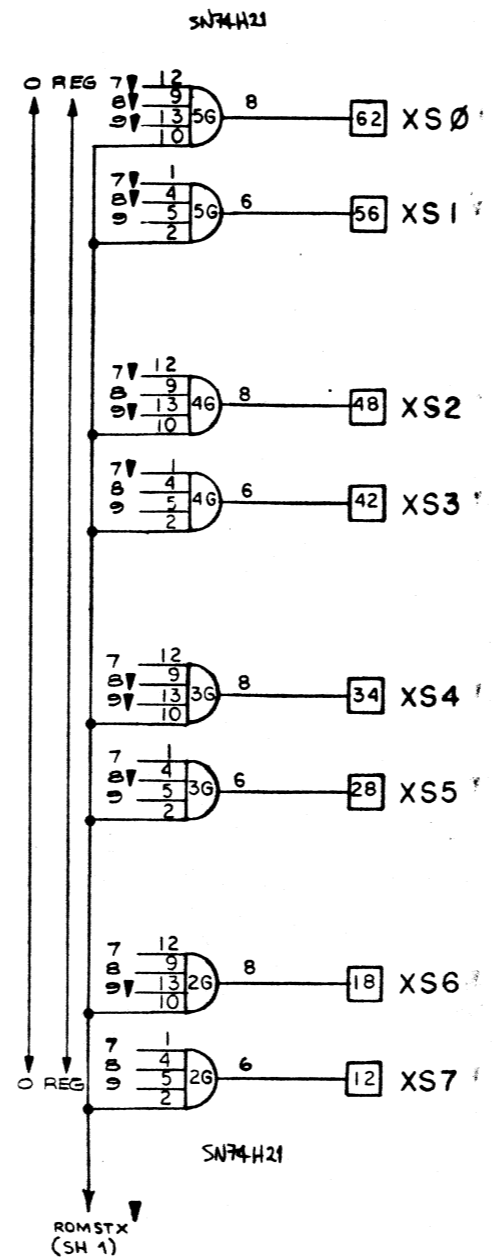
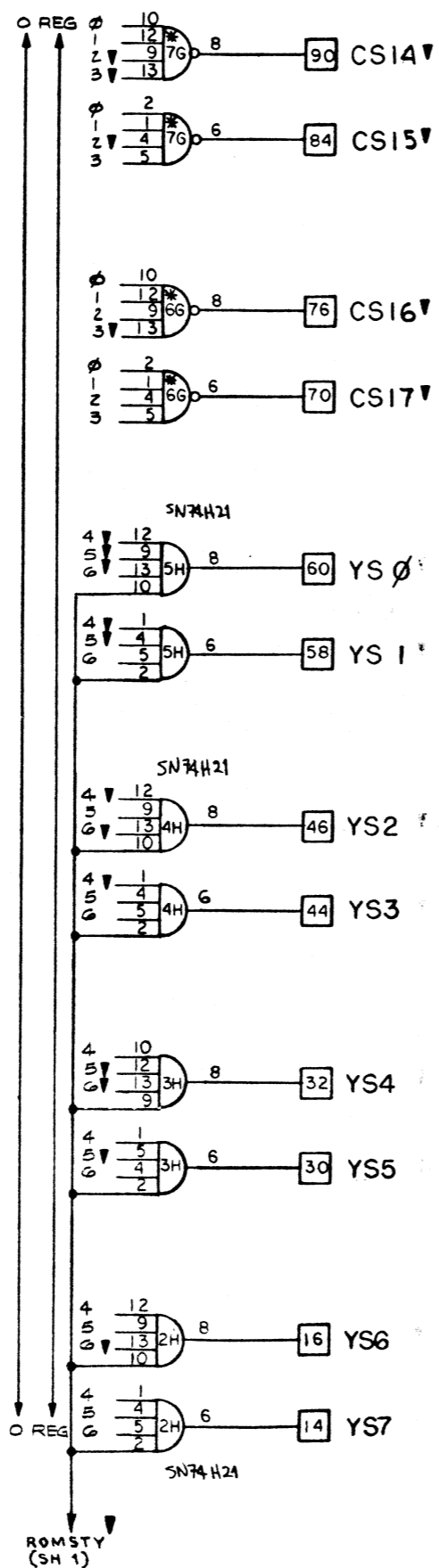
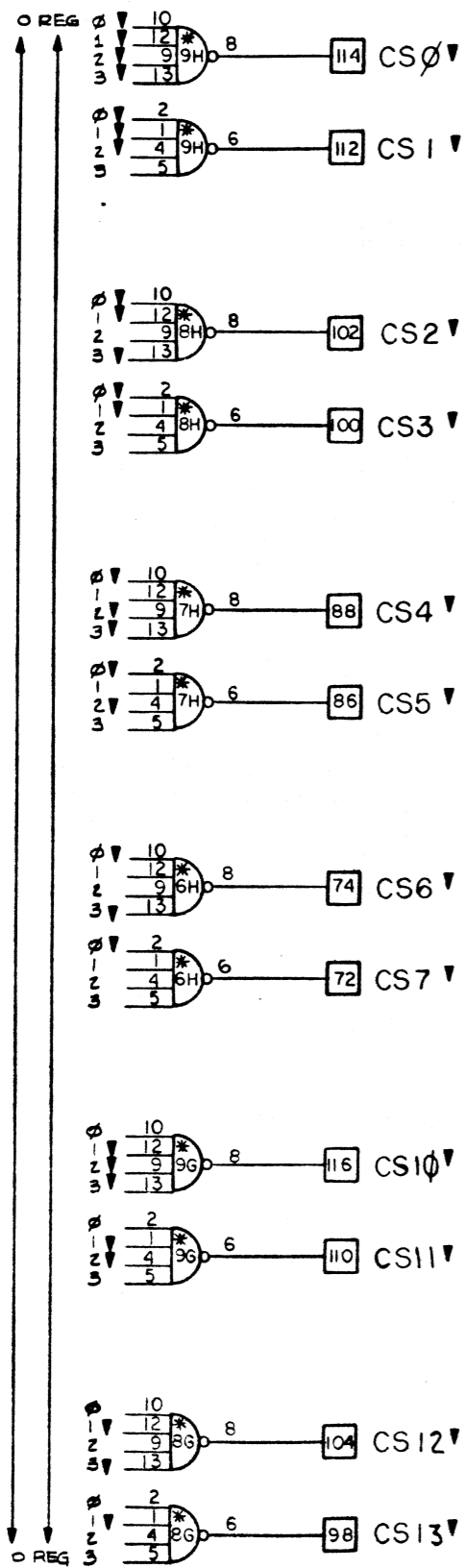


GND
 6, 8, 10, 19, 21, 24, 26, 27, 29, 31, 33, 35, 38
 40, 41, 43, 45, 47, 49, 52, 54, 55, 57, 59, 61, 63
 66, 68, 69, 71, 73, 75, 77, 80, 82, 83, 85, 87, 89
 91, 94, 96, 97, 99, 101, 103, 105, 108, 111, 113
 122, 124

- NOTE: UNLESS OTHERWISE SPECIFIED;
- ① FOR ELECTRICAL BREAK DOWN ON CIRCUIT "A"; SEE SHTS 3 THRU 5. (A-0 THRU A-8)
 - ② FOR ELECTRICAL BREAK DOWN ON CIRCUIT "B"; SEE SHT 6.
 - 3. * - FAST MODULE
 - XX - CUT P.C. CONDUCTOR
 - J - JUMPER AS REQUIRED
 - 4. RESISTORS ARE IN OHMS, 1/8W, 10%.
 - 5. PULL UP NETWORKS ARE 1.2KΩ, 1/8W, 10%.

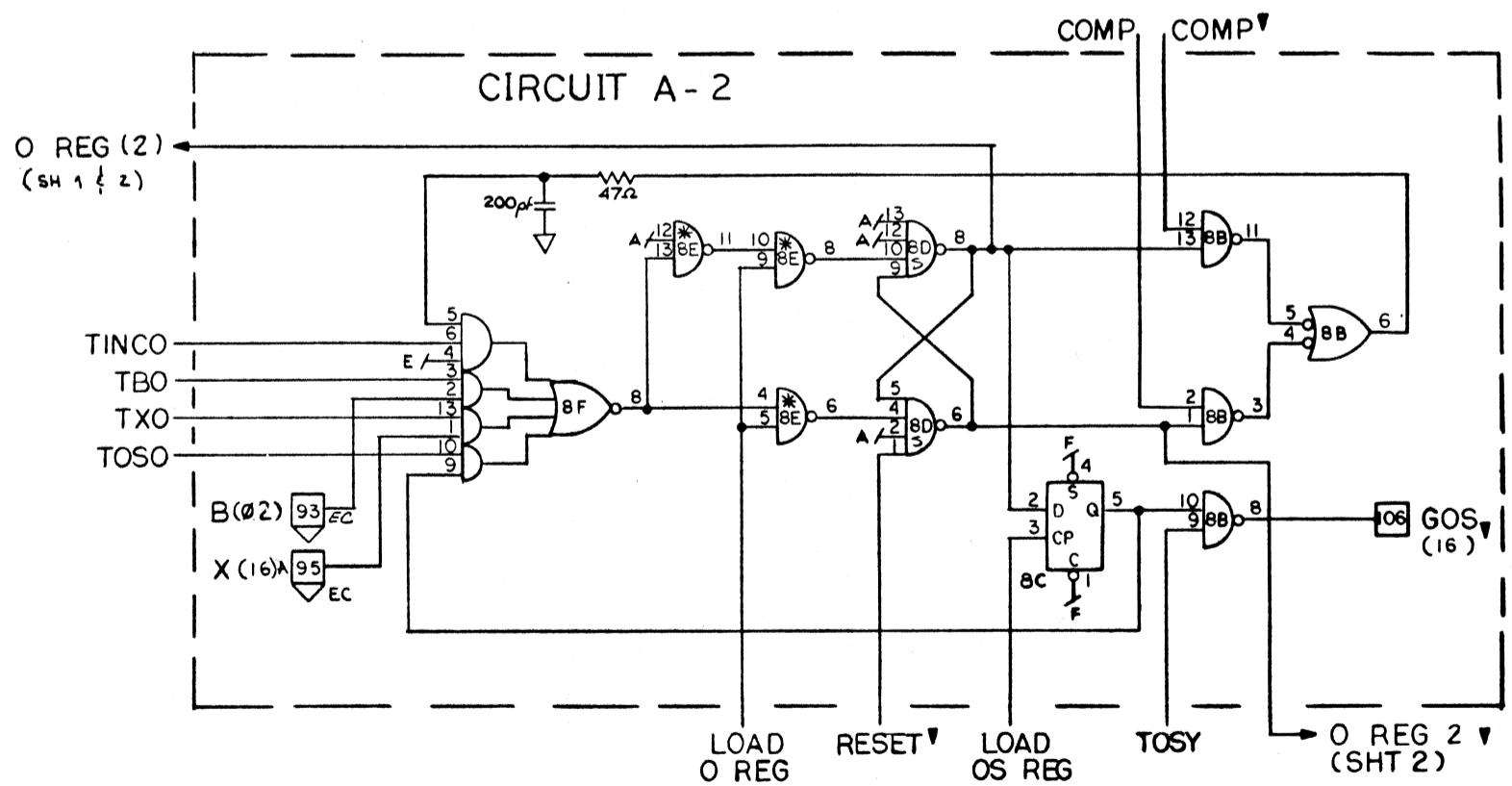
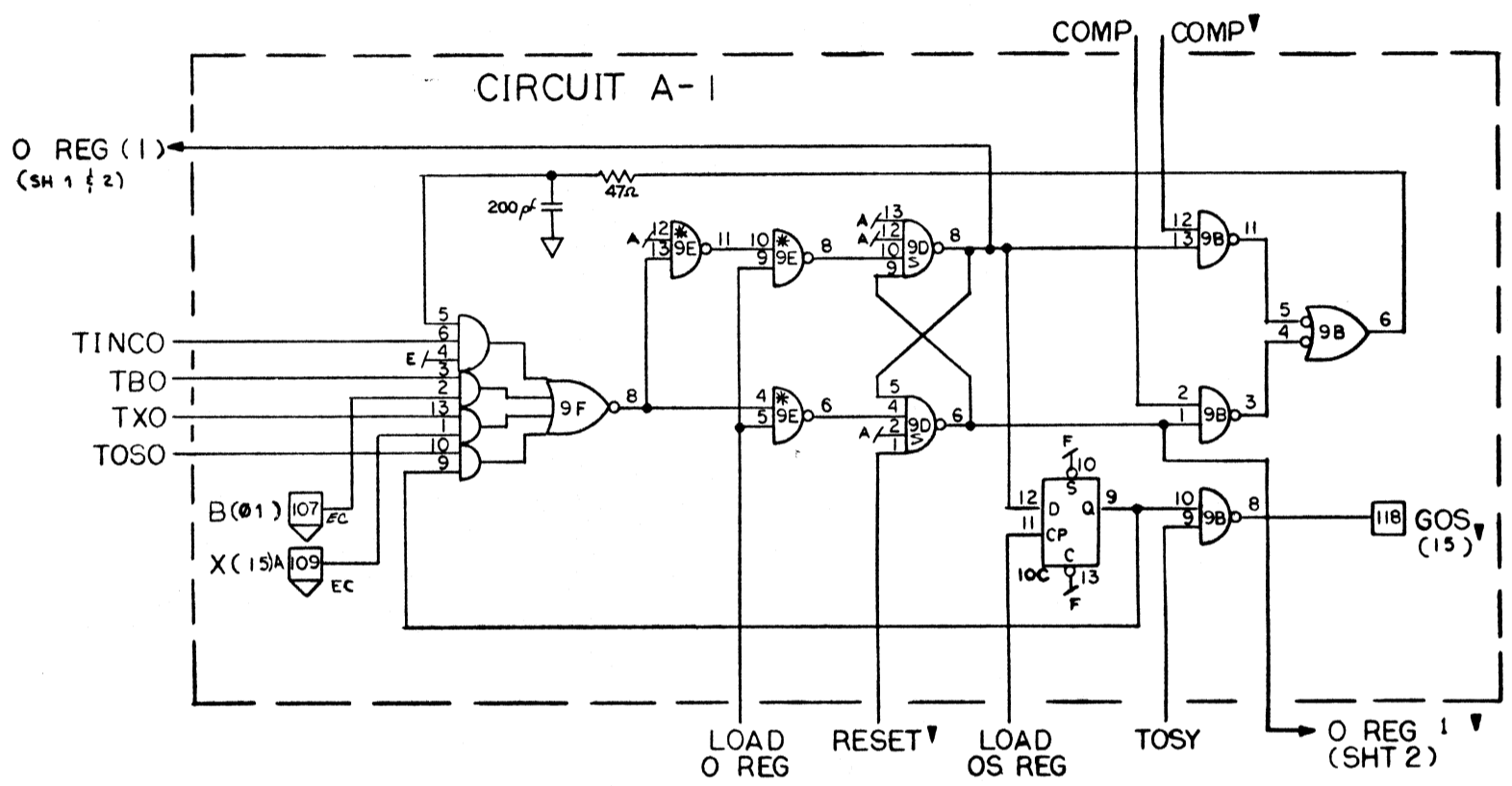
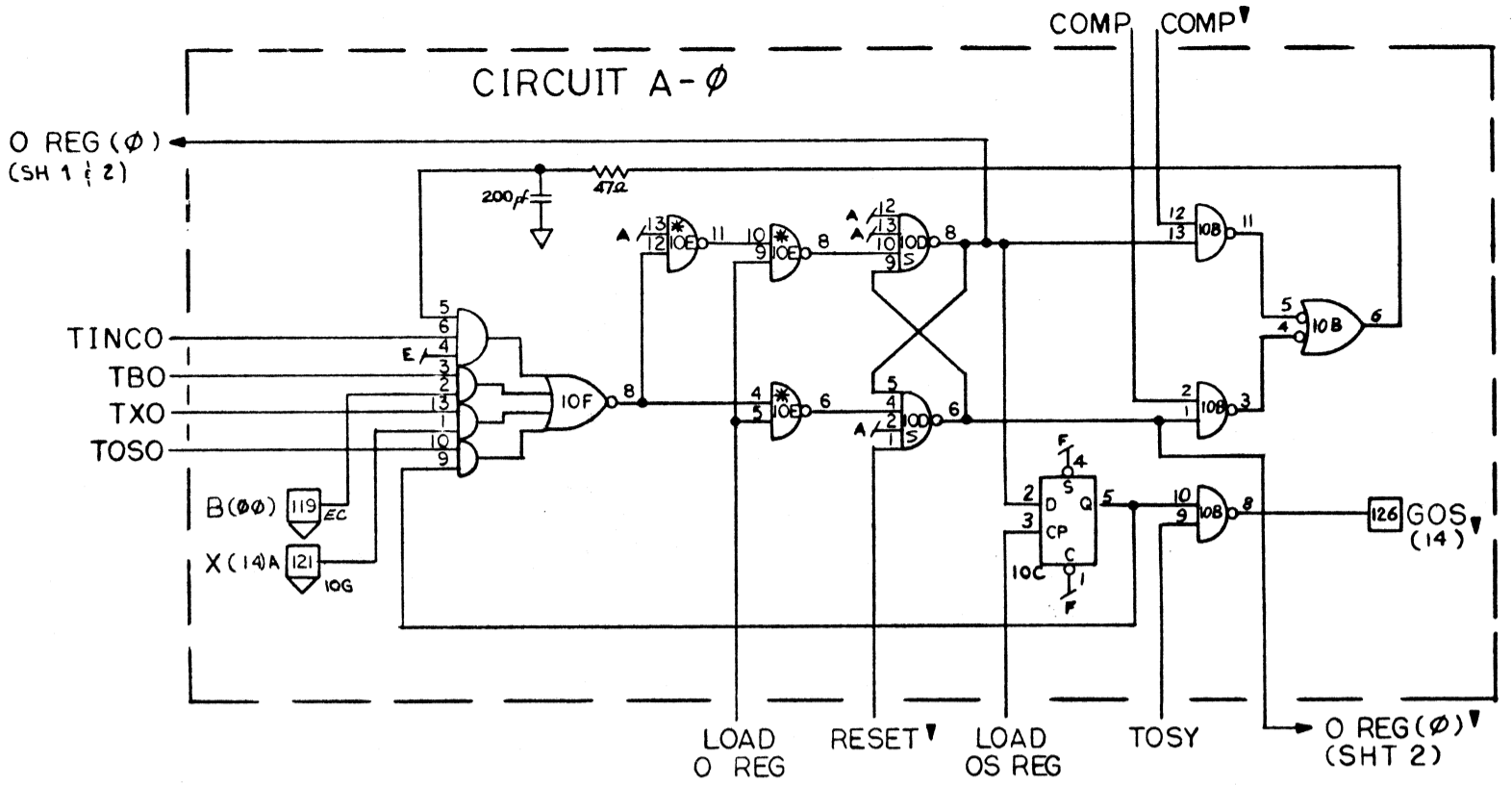
A11

berkeley Computer Corporation		
SCALE: NONE	APPROVED BY:	DRAWN BY: R. B. BOW
DATE:		REVISED:
TITLE: 0 & OS REGISTER		
PROJECT: FIRST USE ON DCC & M3 C.F.U.15		DRAWING NUMBER L00245.3



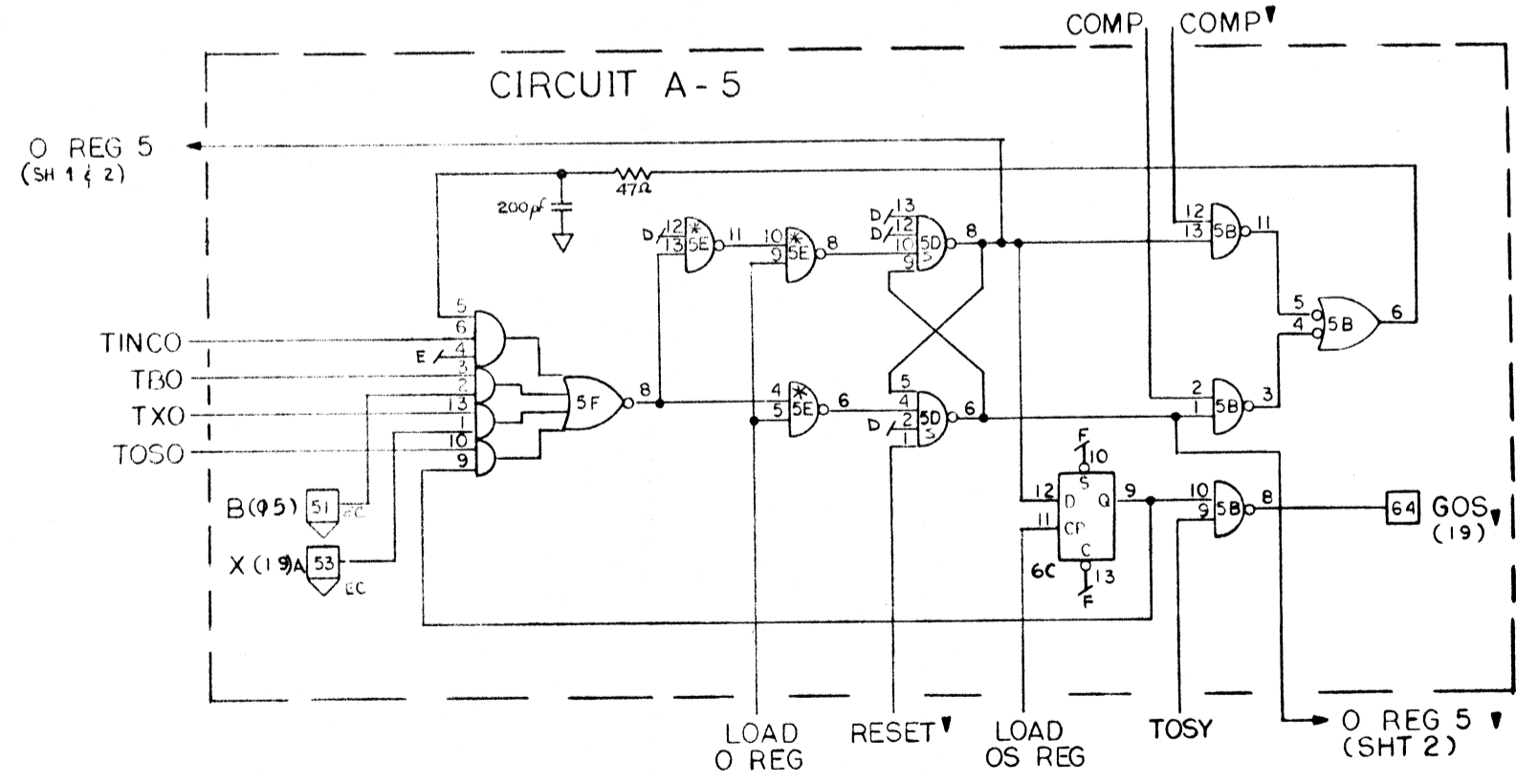
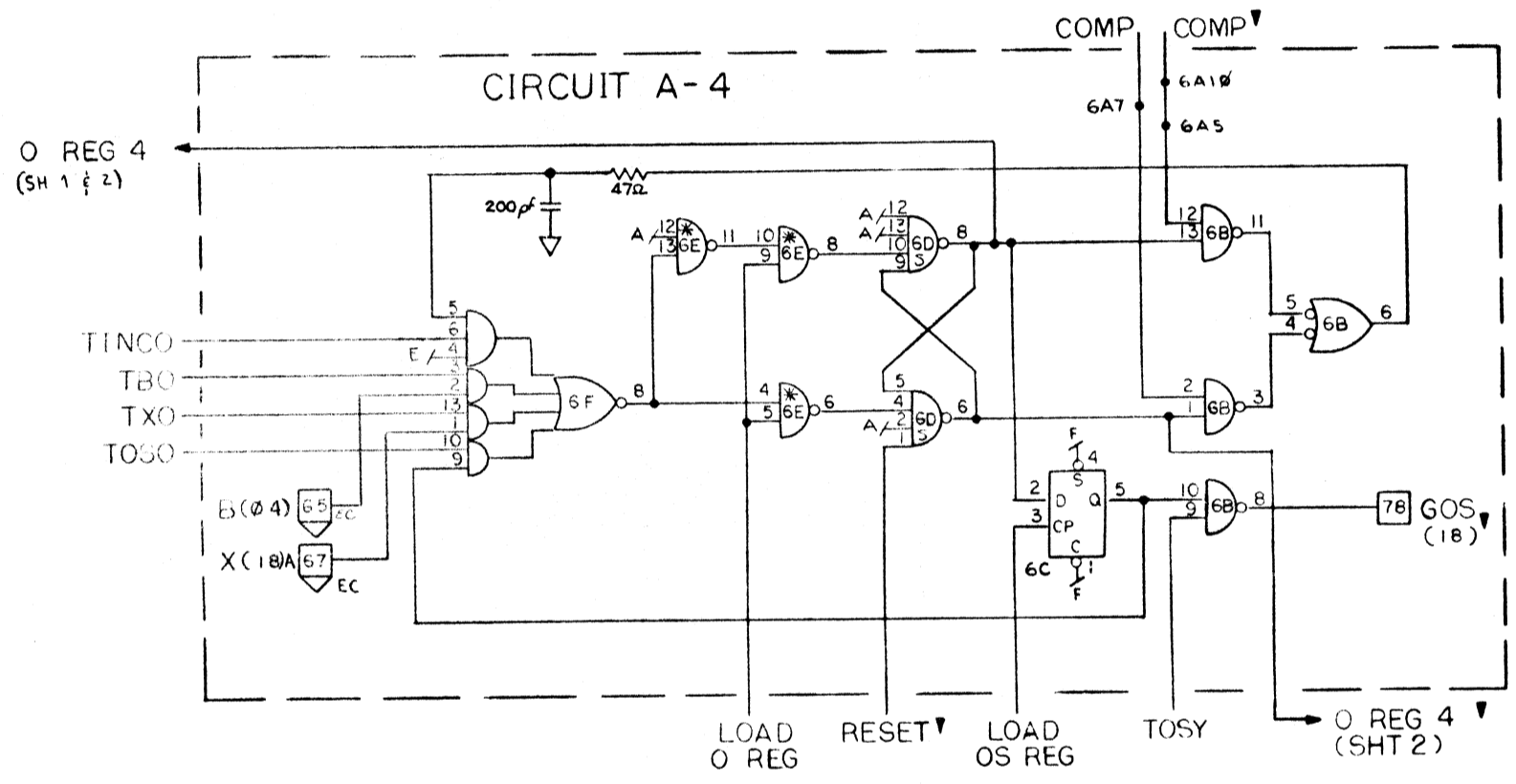
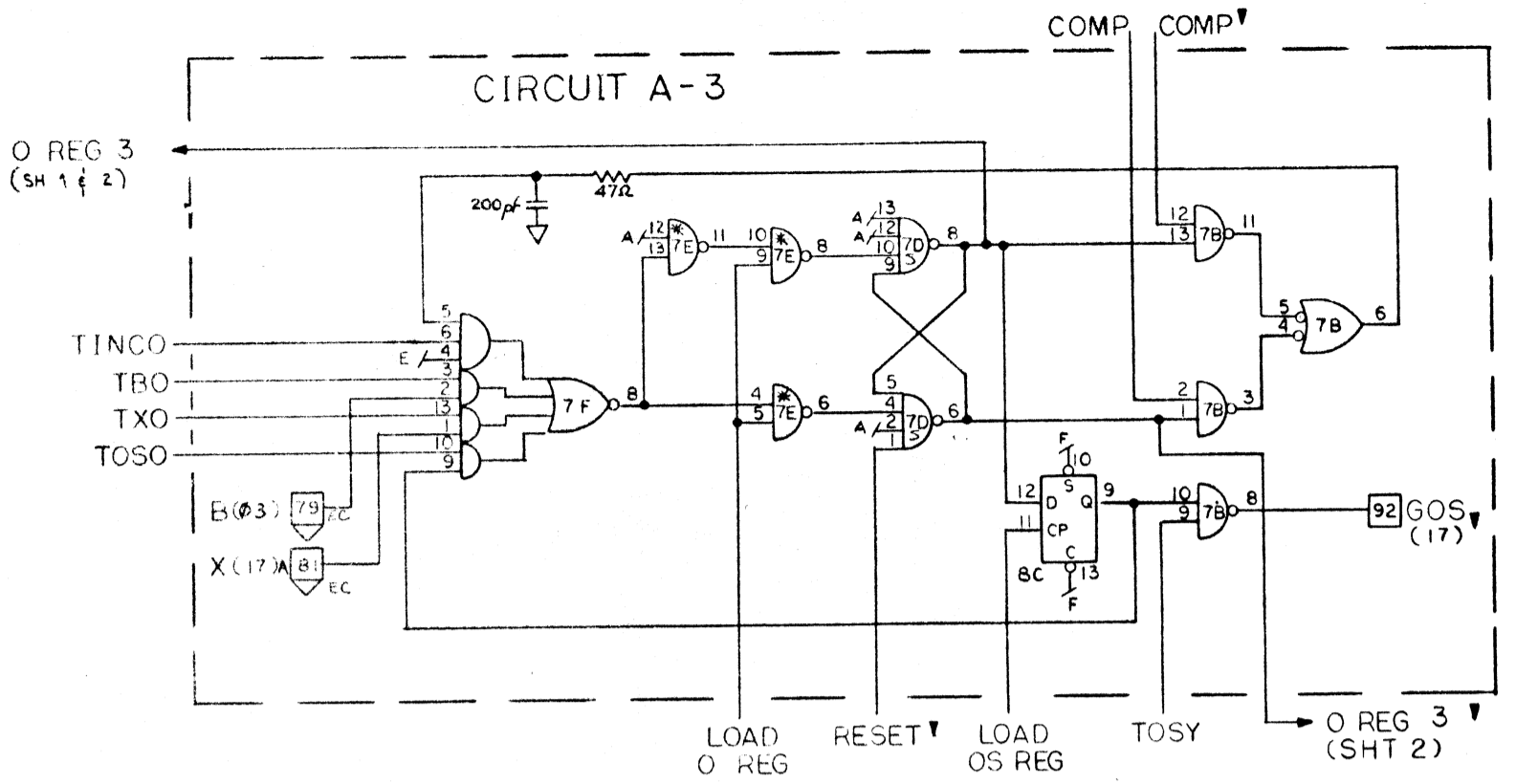
A11

Berkeley Computer Corporation		
SCALE: NONE	APPROVED BY:	DRAWN BY: R.B.
DATE:		REVISED:
TITLE: 0 & OS REGISTER		
PROJECT: FIRST USED ON DCC & MICPONS		DRAWING NUMBER: L00245.3
SH 2 OF 6		



A11

Berkeley Computer Corporation	
DATE: _____	APPROVED BY: _____
TITLE: O & OS REGISTER	DESIGNED BY: _____
PROJECT: FIRST USED ON	REVISION: _____
DCC 4 M1 CPULS	DRAWING NUMBER: _____
	LOO245.3



AJ1

Berkeley Computer Corporation

PROJECT: O & OS REGISTER

DATE: _____

SCALE: NONE

APPROVED BY: _____

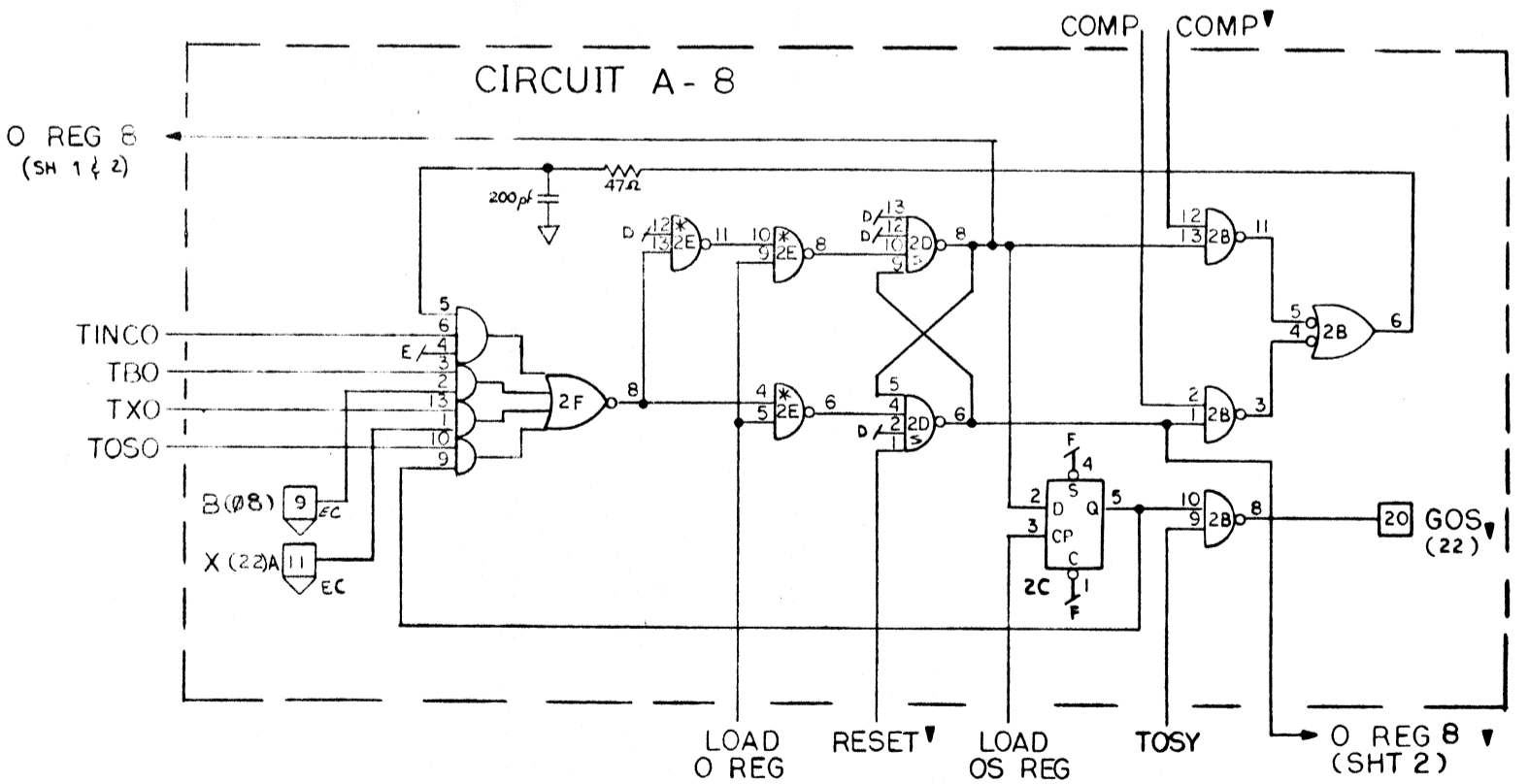
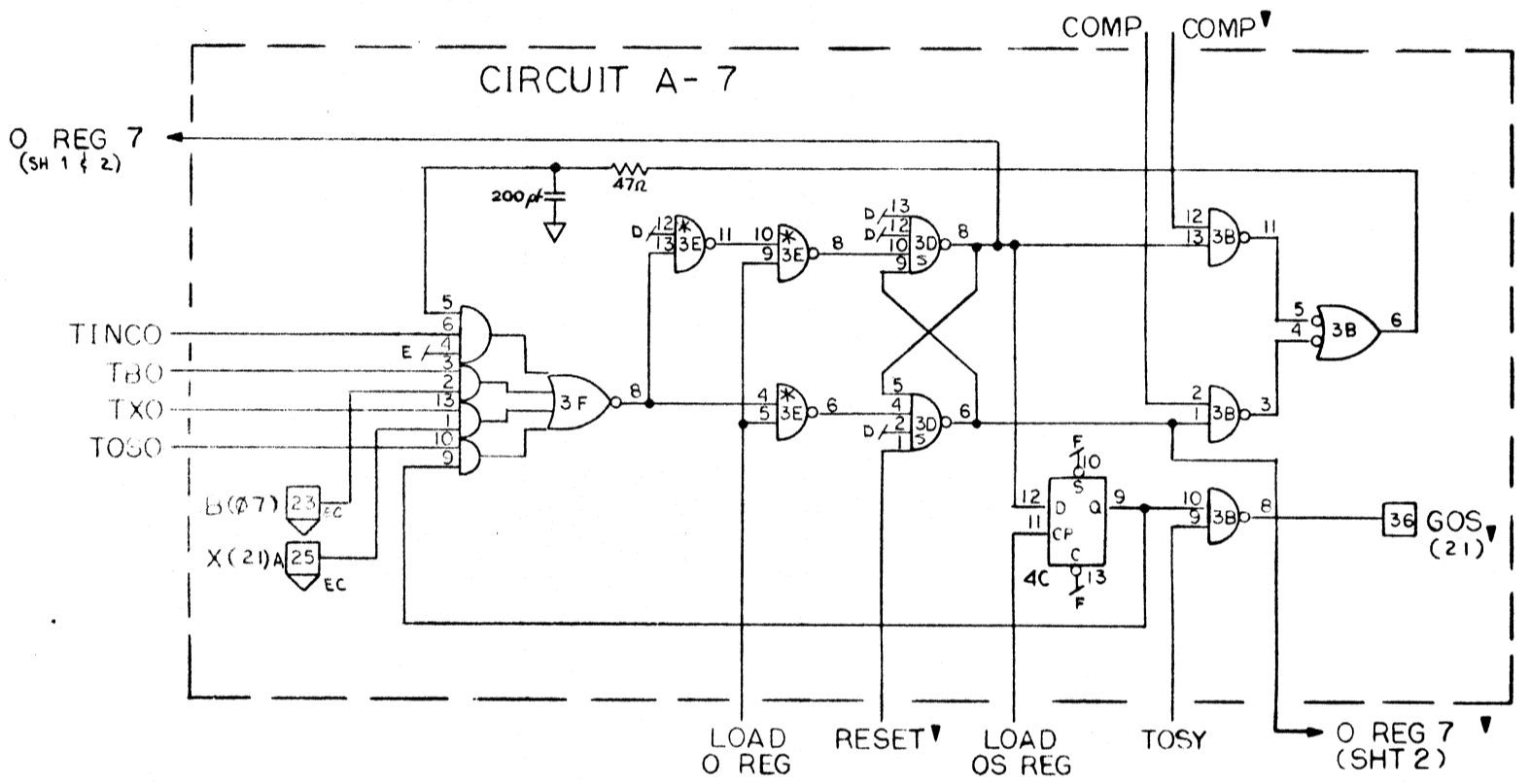
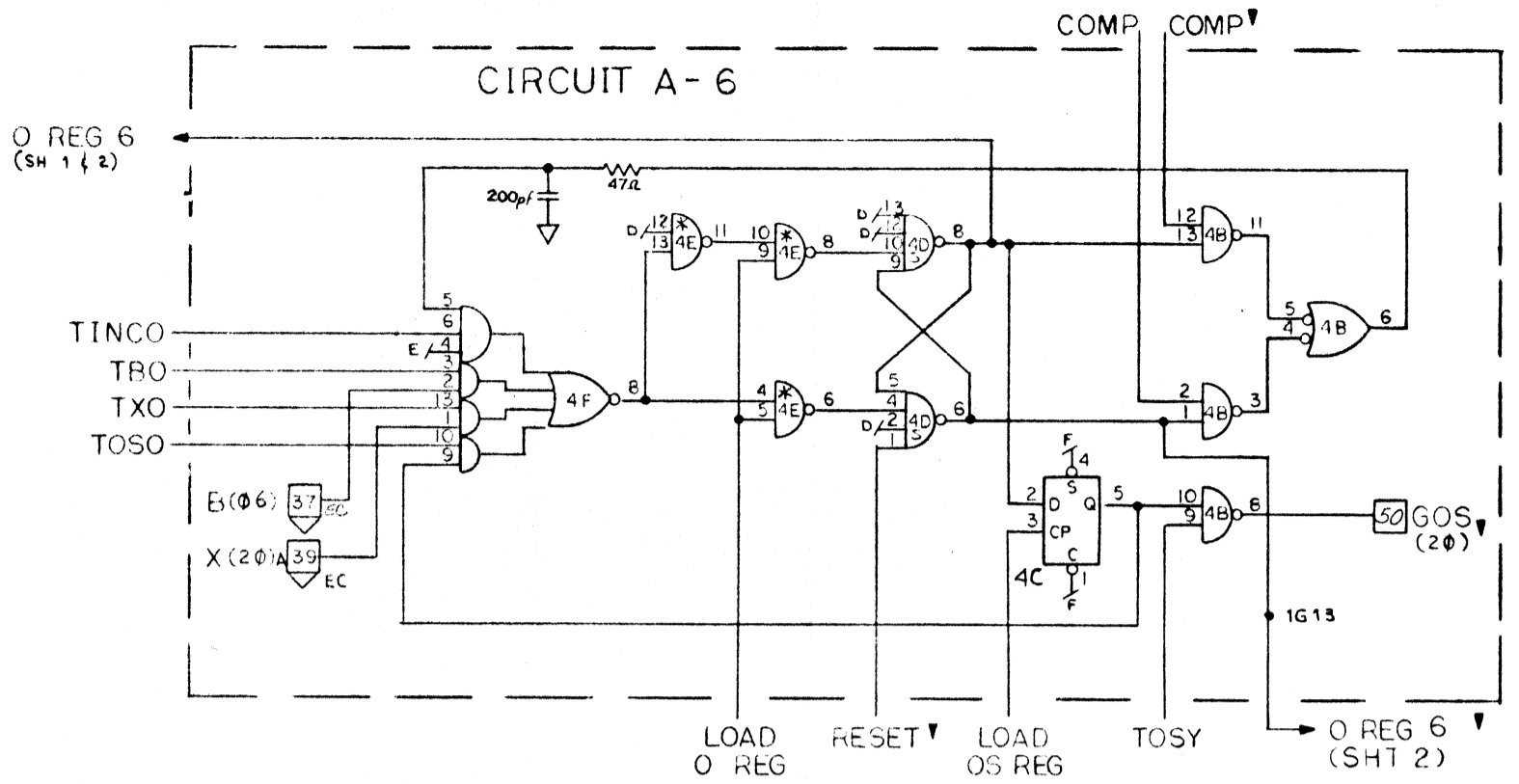
DRAWN BY: _____

REVISION: _____

PROJECT # 1002453

DATE: 1/15/65

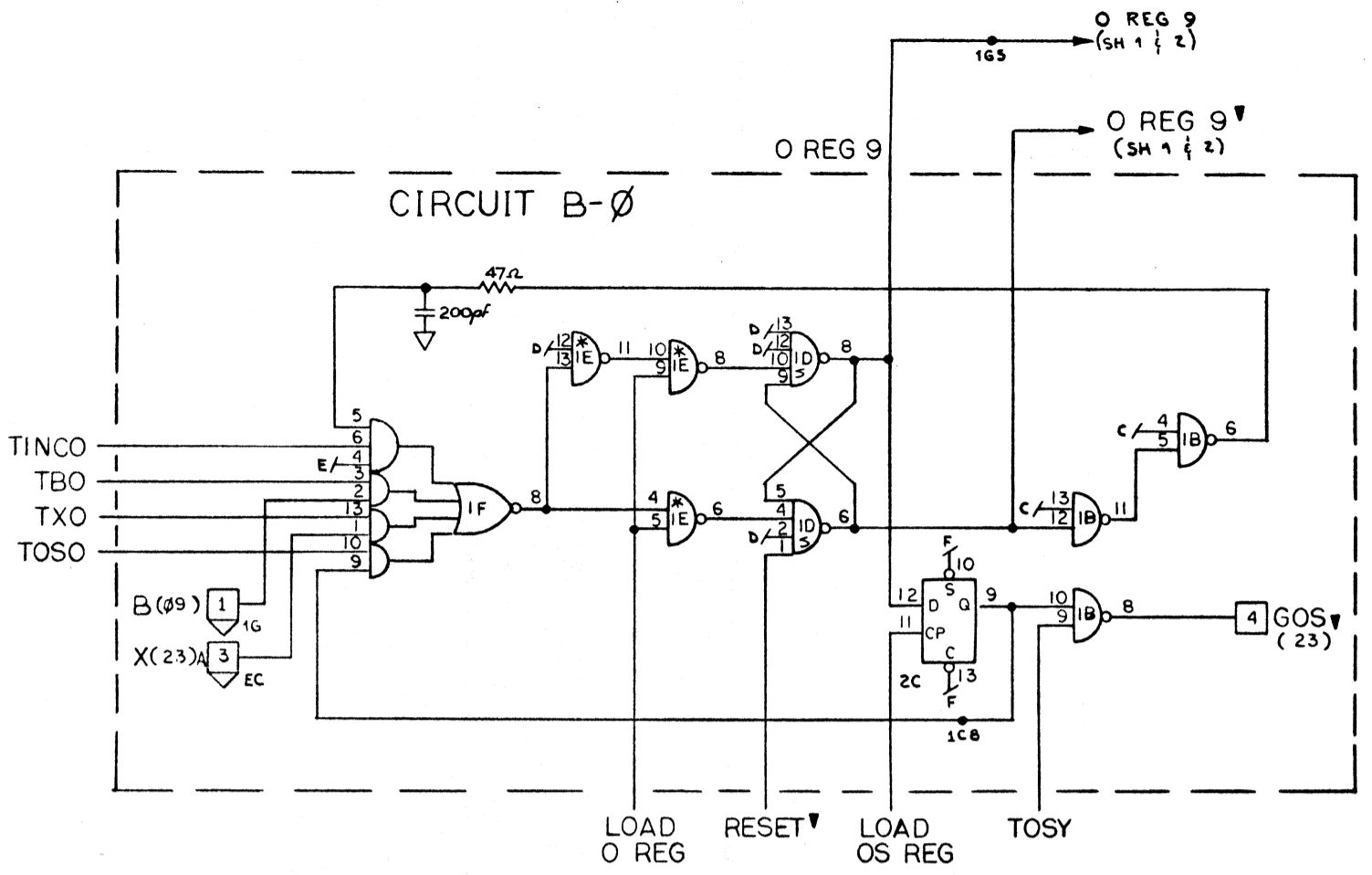
SH 4 OF 6



All

Berkeley Computer Corporation

SCALE NONE
DATE
DRAWN BY
PROJECT: 757-1885-5
TITLE: O & OS REGISTER
DRAWING NUMBER: L00245-3
SH 5 OF 6



ALL

Berkeley Computer Corporation	
SCALE: NONE	APPROVED BY: E.P.M.
DATE:	DESIGNED BY:
TITLE: O REG 9 REGISTER	
PROJECT: FIRST USES ON BCC & MICRULIS	
DRAWING NUMBER: L00245.3	