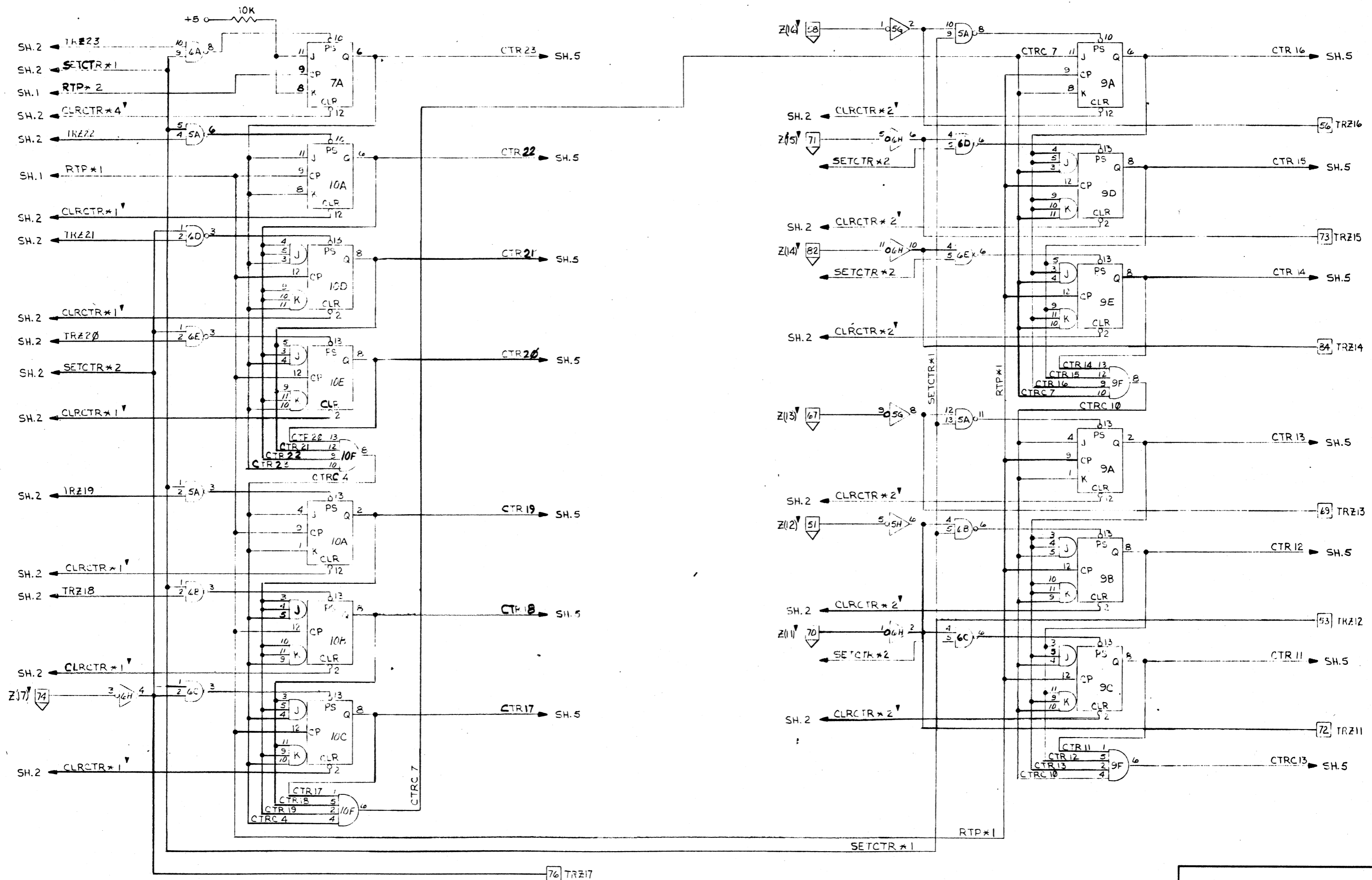


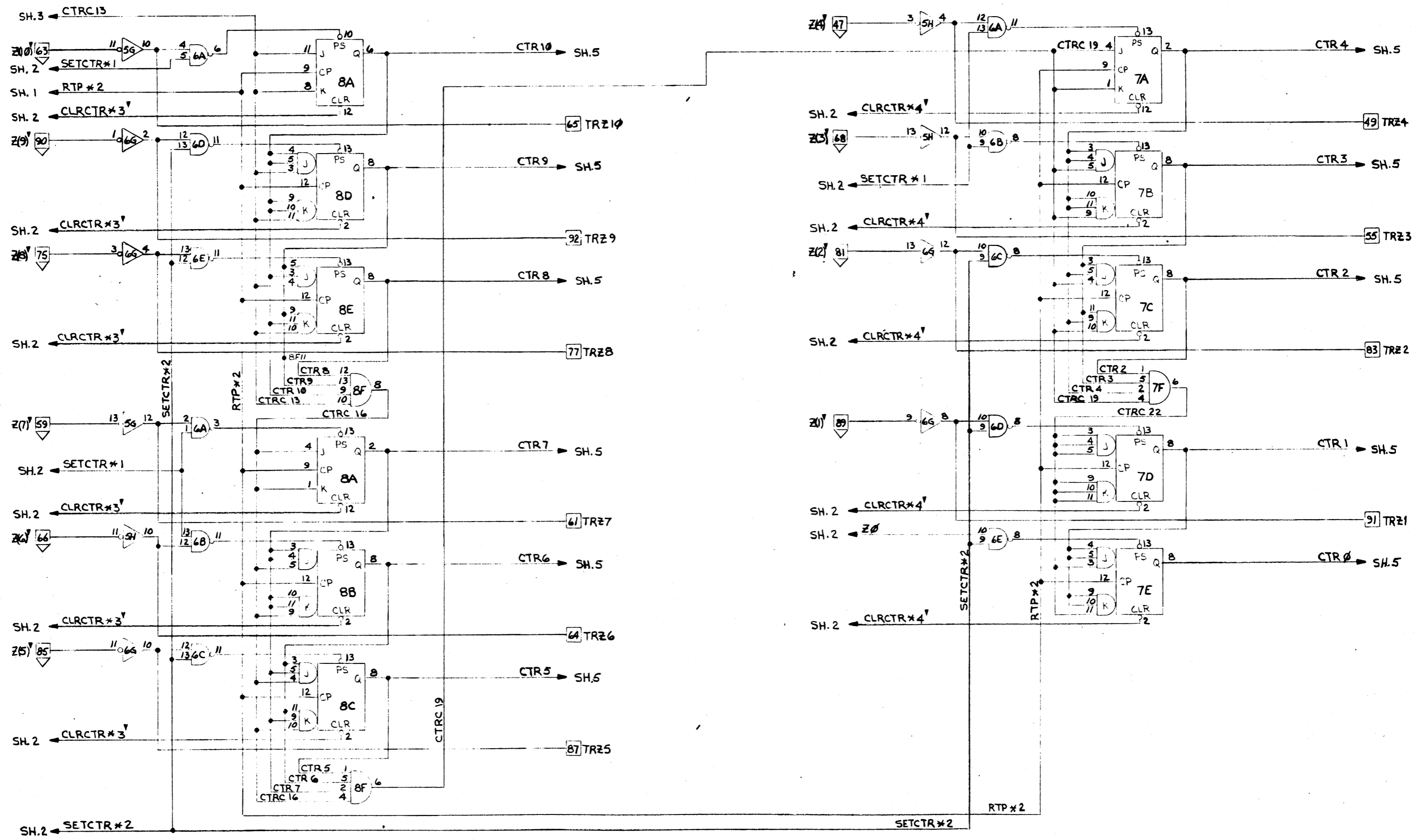
SHEET 2 OF 5

REVISIONS	DATE	BY	REASON
1	9-24-69		
2	10-7-69		

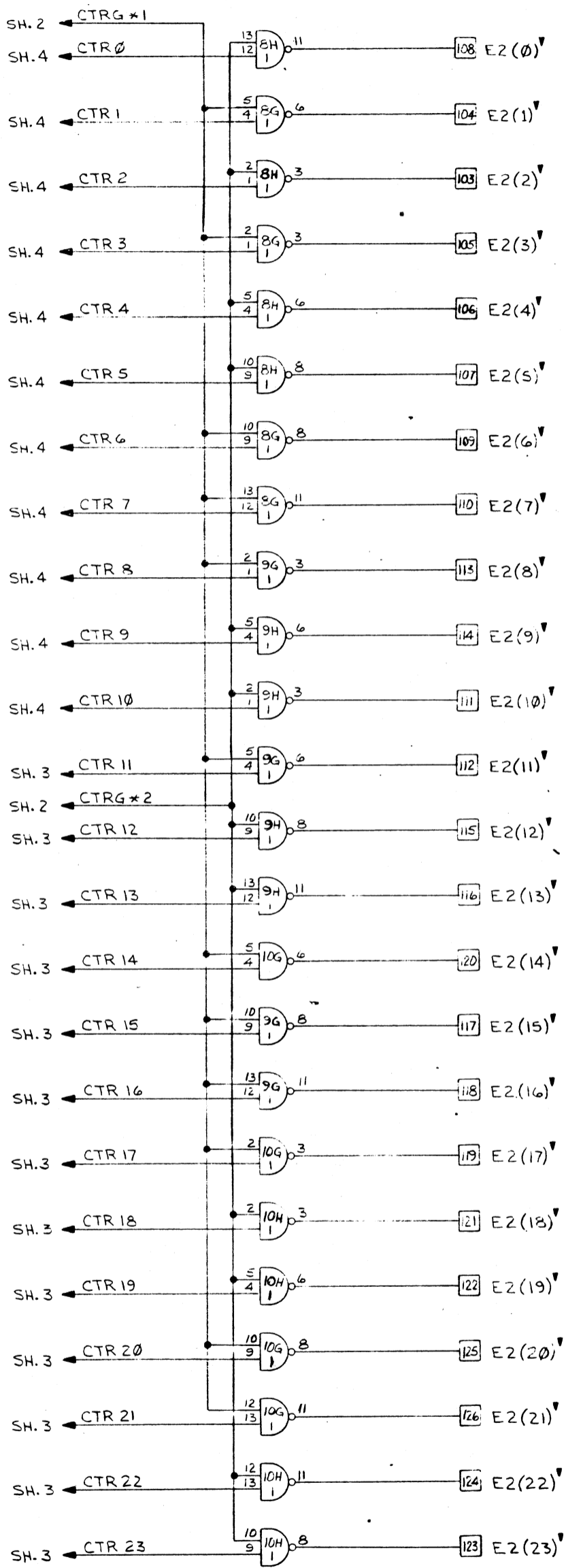
DRAWING NUMBER: T1A31
 PROJECT: COMPUTE TIME REGISTER (CTR)
 CPU # 1



SCALE: NONE	APPROVED BY:	DRAWN BY:
DATE: 9-30-69		REVISED 10-7-69
COMPUTE TIME REGISTERS (CTR)		
CPU # 1	TRZ# 1	DRAWING NUMBER 106084.0



SCALE: NONE	APPROVED BY:	DRAWN BY: JJA
DATE: 10-1-69		REVISED 10-7-69
COMPUTE TIME REGISTER (CTR)		
CPU # 1		DRAWING NUMBER: L00084.0



L 00084		REVISED	
		DATE: _____ BY: _____ APPROVED: _____	
PART NO. 10769 D. MORENO SCALE NONE	PROJECT CPU # 1 SHEET 5 OF 5	TITLE COMPUTE TIME REGISTER (CTR)	PART NO. T1A31
PROJECT L00084.0			