

PRO-LOG
CORPORATION

STD 7000

7503/7506

Optoisolated Input Card

USER'S MANUAL



7503/7506
Optoisolated Input Card
USER'S MANUAL

PRELIMINARY

0

0

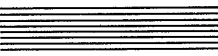
0

7501 ISOLATED INPUT CARD USER'S MANUAL

T A B L E O F C O N T E N T S

| | |
|----|---|
| SE | <u>Product Overview</u> |
| | 7503 Data Sheet |
| | 7506 Data Sheet |
| | CS18 Data Sheet |
| | CB18 Data Sheet |
| SE | <u>Functional Description</u> |
| | General Purpose Interface |
| SE | <u>Mapping and Address Decoder Operation</u> |
| | Changing the 7503/7506 Port Address |
| SE | <u>7503/7506 Environmental Specifications</u> |
| SE | <u>Electrical Specifications</u> |
| SE | <u>Mechanical</u> |
| SE | <u>7503/7506 Operating Subroutine Modules</u> |
| SE | <u>Maintenance</u> |

7000 STD BUS

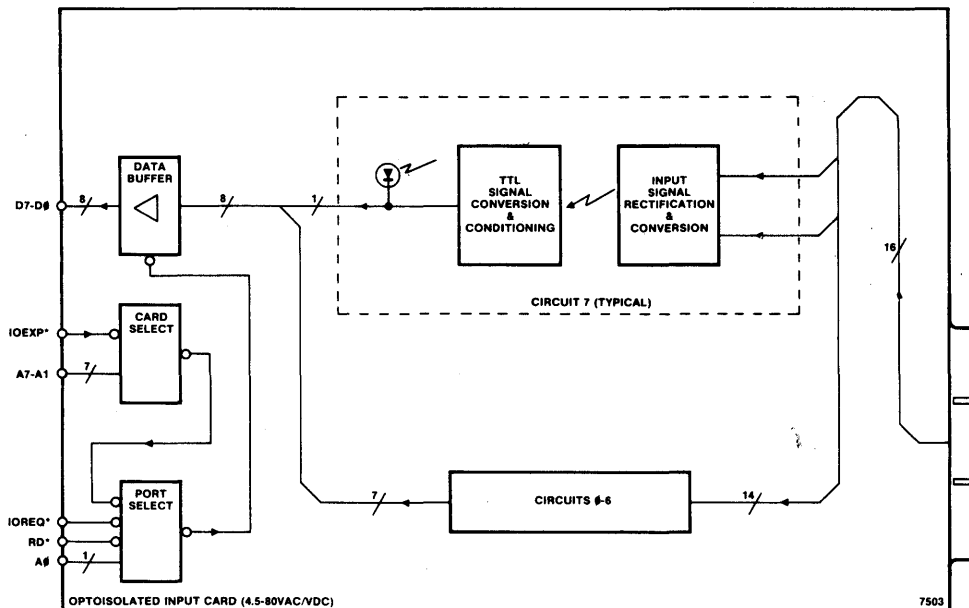
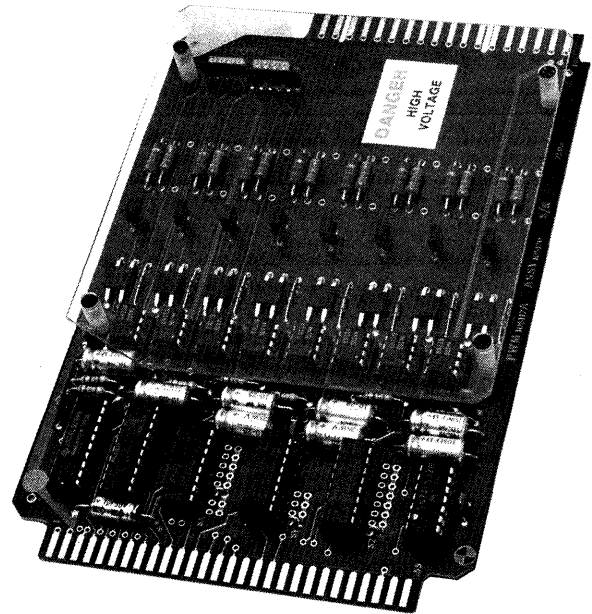


7503 OPTOISOLATED INPUT CARD (4.5-80VAC/VDC)

The 7503 provides eight independent AC/DC inputs for the Series 7000 STD BUS. An optical coupling circuit isolates each circuit from the STD BUS system and from each other. The 7503 offers a choice of two input ranges. Range selection is independent for each input and is selected through the installation of wire jumpers. The low range responds to input voltages between 4.5 VRMS and 22 VRMS for 5V, 6V, and 12V applications. The high range responds to input voltages of between 20 VRMS and 80 VRMS and is useful for systems using 24V, 28V, and 48V. An LED provides a visual indication of the state of each input.

FEATURES

- 500V Minimum Isolation Between Inputs, and Between Each Input and System Ground
- Independent Range Selection for Each Input
- Low Input Voltage Range from 4.5 VRMS to 22 VRMS
- High Input Voltage Range from 20 VRMS to 80 VRMS
- 10.0mA RMS Maximum Input Loading
- Typical Turn On Time of 11msec.
- Typical Turn Off Time of 36msec.
- LED Indicator for Each Input Circuit
- DC Voltages may be Applied with Either Polarity
- User-selectable Input Port Address
- Keyed Interface Connector
- Clear Plastic Safety Shield
- Single +5V Operation
- Socketed ICs



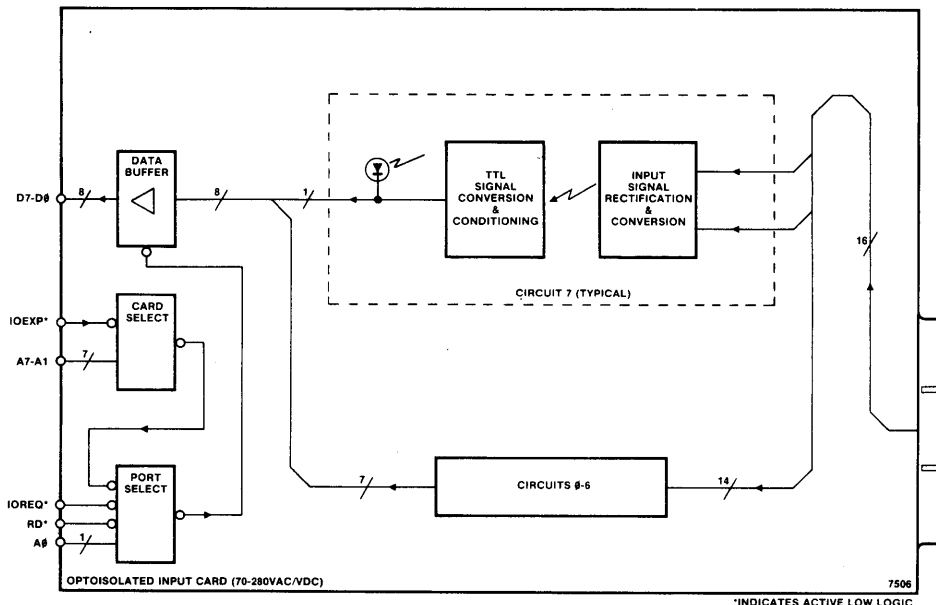
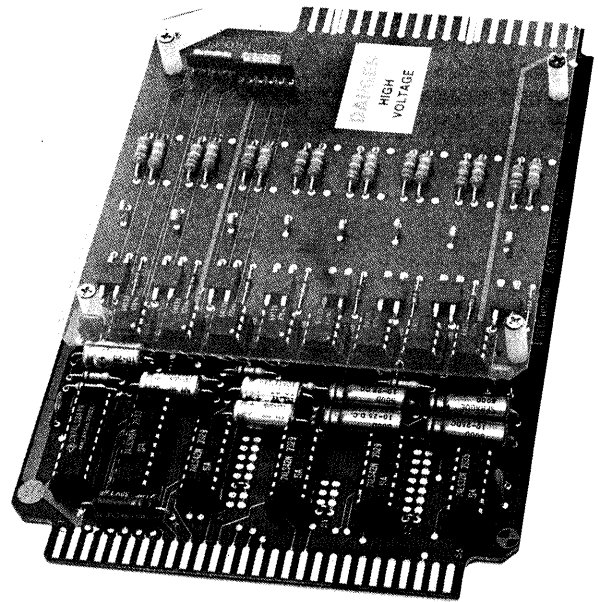
7000 STD BUS

PRELIMINARY 7506 OPTOISOLATED INPUT CARD (70-280VAC/VDC)

The 7506 provides eight independent AC/DC inputs for the Series 7000 STD BUS. An optical coupling circuit isolates each circuit from the STD BUS system and from each other. The 7506 offers a choice of two input ranges. Range selection is independent for each input and is selected through the installation of wire jumpers. The low range responds to input voltages of between 70 VRMS and 150 VRMS for 120V applications. The high range responds to input voltages between 140 VRMS and 280 VRMS and is useful for systems using 240V. An LED provides a visual indication of the state of each input.

FEATURES

- 500V Minimum Isolation Between Inputs, and Between Each Input and System Ground
- Independent Range Selection for Each Input
- Low Input Voltage Range from 70 VRMS to 150 VRMS
- High Input Voltage Range from 140 VRMS to 280 VRMS
- 2.0mA RMS Maximum Input Loading
- Typical Turn On Time of 11msec.
- Typical Turn Off Time of 35msec.
- LED Indicator for Each Input Circuit
- DC Voltages may be Applied with Either Polarity
- User-selectable Input Port Address
- Keyed Interface Connector
- Clear Plastic Safety Shield
- Single +5V Operation
- Socketed ICs



7000 STD BUS

CS18

I/O EDGE CONNECTOR

SOLDER TAIL CONNECTOR

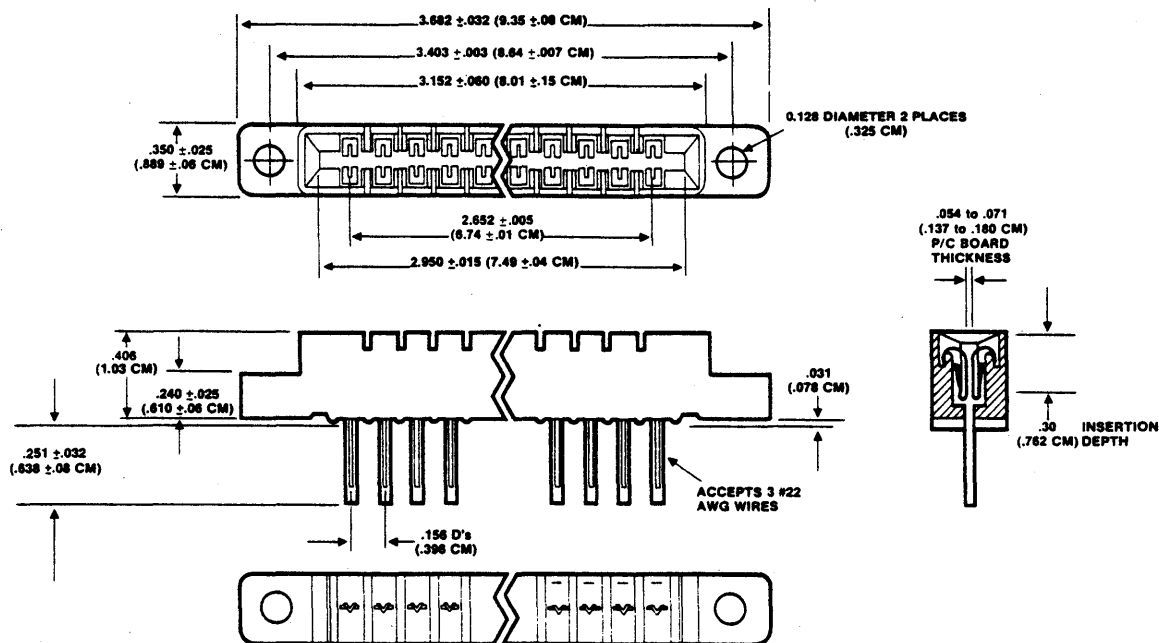
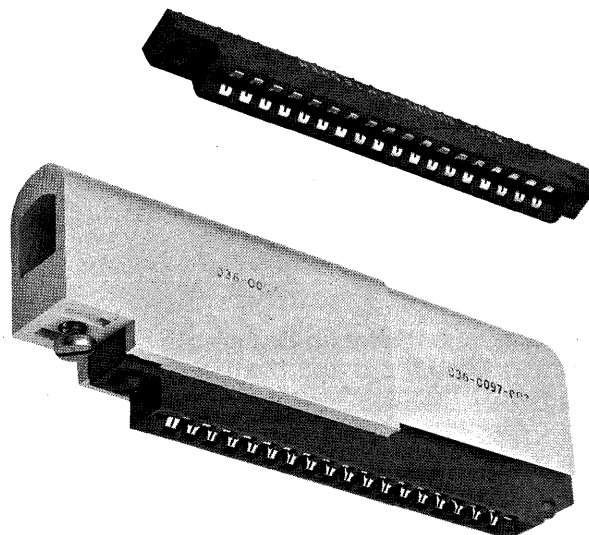
The CS18 card edge connector is used on industrial interface cards requiring more than 50VDC and/or 0.5A per contact.

FEATURES

- 5A Maximum Per Contact
- Multiple Sourced
- Accepts PCBs of .062" Thickness
- Pierced Solder Tails Accept 3 #22 AWG Wires
- Includes Mating Hood, Hardware, and Keys
- UL Listed

ELECTRICAL

- Material UL rated 94V-0 or 94V-1 (flame rating)
- Contact spacing 0.156" centers
- Contact rating: 5A
- Maximum voltage drop: 30mV at 5A
- Operating voltage: 350V at sea level
- Operating temperature: -55°C to +105°C at sea level
- PCB thickness: .054 to .071 inches
- Insertion/withdrawal forces: 2 oz. to 8 oz. per contact pair



CS18 SOLDER TAIL CONNECTOR

ORDERING INFORMATION

Pro-Log CS18 includes connector, hood, hardware, and key. Part numbers given for other manufacturers are for connectors and hoods only.

Connector

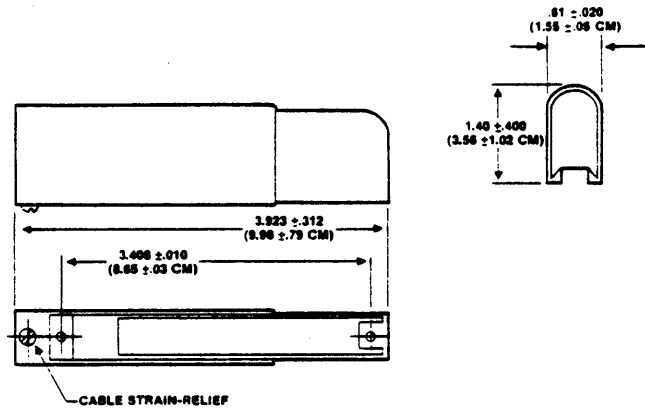
Viking 2VH18/1AB5
 Sullins EMM18 SREH
 TRW Cinch 250-18-30-220

Hood

Viking 036-0097-002
 Kel-Am CH-18-6H-3.406
 AMP 530088-3

QUANTITY PRICING INFORMATION

| | 1 - 9 | 10 - 24 | 25 - 99 | 100 - 249 |
|------|---------|---------|---------|-----------|
| CS18 | \$15.00 | \$13.50 | \$12.50 | \$11.50 |



Typical Hood with Cable Clamp

0

0

0

7000
STD BUS

CB18 I/O EDGE CONNECTOR

BARRIER STRIP CONNECTOR

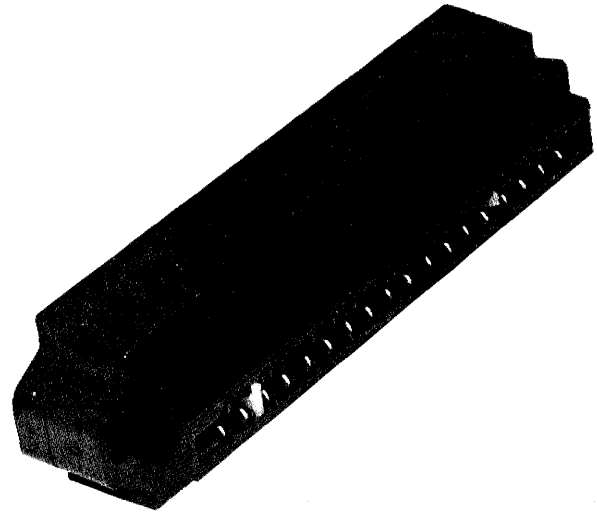
The CB18 card edge connector is used on industrial interface cards requiring more than 50VDC and/or 0.5A per contact.

FEATURES

- 10A Maximum Per Contact
- Single Sourced
- Accepts PCBs of .062" Thickness
- Tubular Contact Plate Accepts #12 to #22 AWG Wires
- Includes Keys
- UL Listed

ELECTRICAL

- Material UL rated 94V-0 (flame rating)
- Contact spacing: 0.156" centers
- Contact rating: 10A/circuit continuous
- Breakdown voltage: 2500V
- Operating temperature: -55°C to +105°C at sea level
- PCB thickness: .054 to .071 inches
- Not recommended for more than 20 insertion/withdrawals

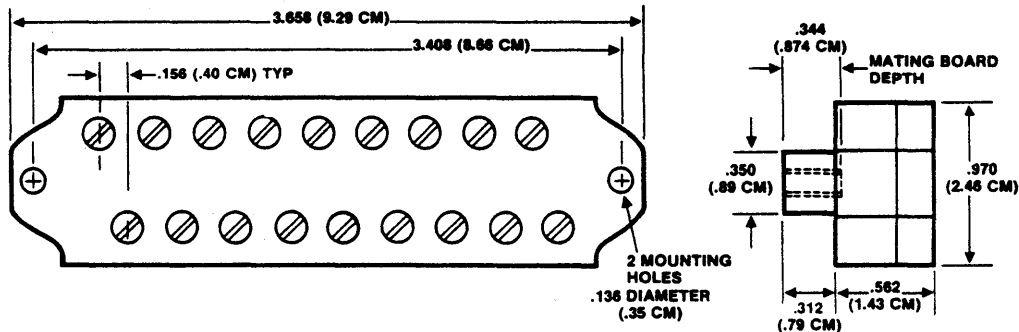
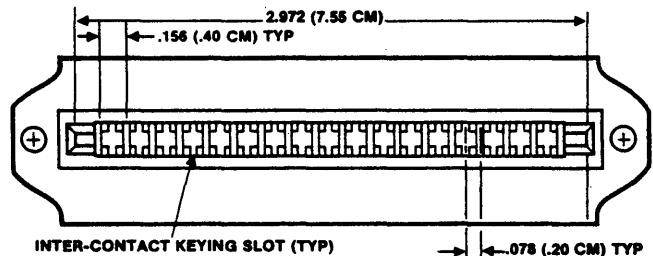


CONNECTOR ORDERING INFORMATION

The part number of various connector manufacturers is given below.

| | |
|----------|-------------------------------------|
| Pro-Log | CB18* |
| Buchanan | PCB2B Connector PC17 Keying plug |

*Includes two keying plugs



Barrier Strip Connector

FUNCTIONAL DESCRIPTION

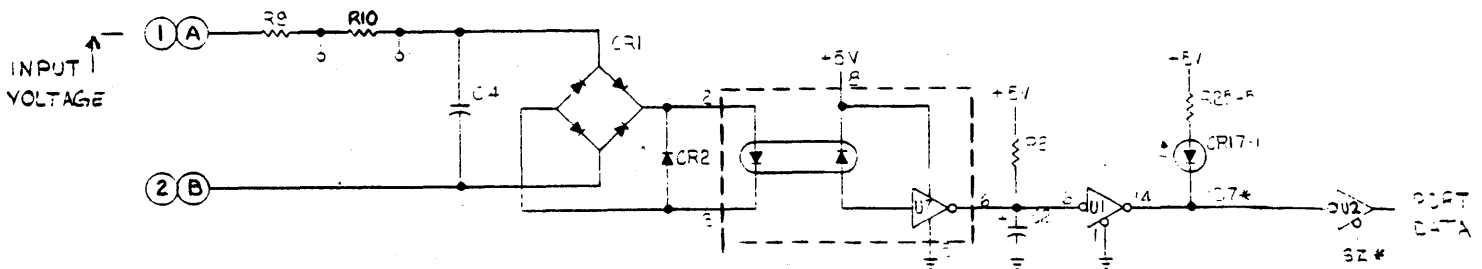
The 7503 and the 7605 Optoisolated Input Cards convert an AC/DC input voltage into a TTL-level signal that is read by an on-card STD BUS input port. The functional operation of the two cards is identical; only component values are changed to permit operation over the wide range of voltages.

The conversion from high voltage to TTL takes place in three steps. A typical input circuit is shown below. The first step uses the input range resistors to obtain a current proportional to the input voltage. The resistor value may be altered for input voltage range selection with the insertion of a jumper wire (jumper in = low range, jumper out = high range). The 7503 is shipped with the jumper out which selects the 20-80 VRMS range. To select the 4.5-22 VRMS range insert the jumper for each circuit desired. The 7506 is also shipped with the jumper out, selecting the 140-280 VRMS range instead of the optional 70-150 VRMS range.

The second step of the conversion process involves full wave rectification of the input current by using a diode bridge. This step allows AC voltages as well as DC voltages of either polarity to be detected.

The third step takes the direct current from the bridge and produces an optically-coupled TTL signal which is read by the input port. The optical coupling provides electrical isolation between the AC circuits and logic circuits of the STD system.

The optoisolated system is free of problems caused by ground loops and varying ground potentials. Analog pulse stretching is provided to assure a constant output signal when a 50Hz or higher frequency AC input signal is applied. This signal is monitored by an LED indicator and the STD BUS input port.



TYPICAL INPUT CIRCUIT

ADDRESS DECODER OPERATION

Refer to the schematics, documents #105119 (7503) or #105298 (7506)

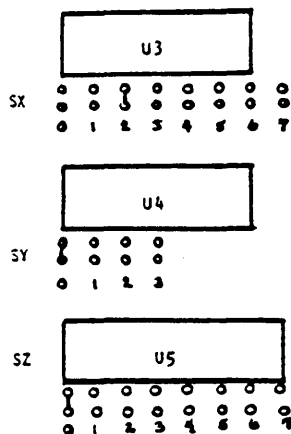
The 7503 and 7506 use three cascaded 74LS42 decoders (U3, U4 and U5) to decode address lines A0-A7. These decoders are enabled when IORQ*, RD* and IOEXP* are active. The output of the decoder circuit, select signal SZ*, is active only when the card is addressed to read. This signal is used to enable the input port, U2.

CHANGING THE PORT ADDRESS OF THE 7503 AND 7506

Refer to the assembly diagrams, documents #105120 (7503) or #105299 (7506)

Locate decoders U3, U4 and U5 (74LS42) adjacent to the STD BUS edge connector. Each decoder device has a dual row of pads of which form decoder output select matrices. Make one (and only one) connection to each of the matrices adjacent to U3, U4, and U5.

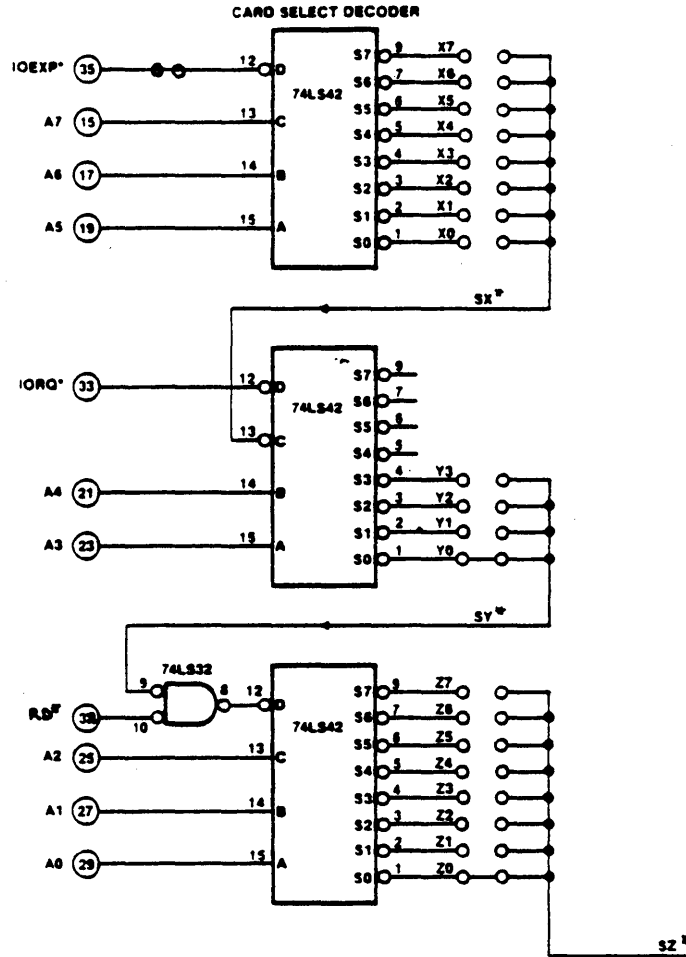
The decoder jumper pad numbering figure shows the numbering of the pads adjacent to the decoder chips on the 7503 and 7506. Also shown are the jumpers (at X2, Y0, and Z0) which produce the hexadecimal port address 40, the selection made when the card is shipped.



The I/O address mapping and jumper selection table for one address per card shows where to place jumper straps to obtain any port address in the hexadecimal range 00-FF. Using the lower of the 2-digit hexadecimal addresses desired, find the most significant hexadecimal address digit along the vertical axis, and the least significant hex digit on the horizontal axis. For example, port address 40 is obtained by connecting jumpers at X2, Y0 and Z0.

The I/O Address Mapping and Jumper Selection Table for one address per card shows where to place jumper straps to obtain any port address in the hexadecimal range 00-FF. Using the lower of the 2-digit hexadecimal addresses desired, find the most significant hexadecimal address digit along the vertical axis, and the least significant hex digit on the horizontal axis. For example, port address 40 is obtained by connecting jumpers at X2, Y0 and Z0.

The pad matrices adjacent to U3, U4 and U5 are on 0.10 inch (0.25cm) centers. The jumper wires may be conveniently replaced by wirewrap post if frequent address selection changes are anticipated.



I/O Address Decoder And Schematic For 1 Address Per Card

| MOST SIGNIFICANT HEX ADDRESS | LEAST SIGNIFICANT HEX ADDRESS | | | | | | | | | | | | | | | | JUMPER SELECTION X, Y & Z |
|------------------------------|-------------------------------|----|----|----|----|----|----|----|----|----|----|----|----|----|----|----|---------------------------|
| | 0 | 1 | 2 | 3 | 4 | 5 | 6 | 7 | 8 | 9 | A | B | C | D | E | F | |
| | Z0 | Z1 | Z2 | Z3 | Z4 | Z5 | Z6 | Z7 | Z0 | Z1 | Z2 | Z3 | Z4 | Z5 | Z6 | Z7 | |
| 0 | | | X0 | Y0 | | | | | | | X0 | Y1 | | | | | X AND Y |
| 1 | | | X0 | Y2 | | | | | | | X0 | Y3 | | | | | |
| 2 | | | X1 | Y0 | | | | | | | X1 | Y1 | | | | | |
| 3 | | | X1 | Y2 | | | | | | | X1 | Y3 | | | | | |
| 4 | | | X2 | Y0 | | | | | | | X2 | Y1 | | | | | |
| 5 | | | X2 | Y2 | | | | | | | X2 | Y3 | | | | | |
| 6 | | | X3 | Y0 | | | | | | | X3 | Y1 | | | | | |
| 7 | | | X3 | Y2 | | | | | | | X3 | Y3 | | | | | |
| 8 | | | X4 | Y0 | | | | | | | X4 | Y1 | | | | | |
| 9 | | | X4 | Y2 | | | | | | | X4 | Y3 | | | | | |
| A | | | X5 | Y0 | | | | | | | X5 | Y1 | | | | | |
| B | | | X5 | Y2 | | | | | | | X5 | Y3 | | | | | |
| C | | | X6 | Y0 | | | | | | | X6 | Y1 | | | | | |
| D | | | X6 | Y2 | | | | | | | X6 | Y3 | | | | | |
| E | | | X7 | Y0 | | | | | | | X7 | Y1 | | | | | |
| F | | | X7 | Y2 | | | | | | | X7 | Y3 | | | | | |

I/O Address Mapping And Jumper Selection Table For 1 Address Per Card

7503 AND 7506 ENVIRONMENTAL SPECIFICATIONS

| RECOMMENDED OPERATING LIMITS | | | | ABSOLUTE NON-OPERATING LIMITS | | |
|------------------------------|-----|-----|-----|-------------------------------|-----|-------|
| PARAMETER | MIN | TYP | MAX | MIN | MAX | UNITS |
| Free Air Temperature | 0 | 25 | 55 | -40 | 75 | °C |
| Humidity ① | 5 | | 95 | 0 | 95 | %RH |

① Non-condensing relative humidity

ELECTRICAL SPECIFICATIONS FOR THE 7503

7503 Optoisolated Input Card Electrical Specifications

| MNEM. | PARAMETER | RECOMMENDED OPERATING LIMITS | | | ABSOLUTE NON-OPERATING LIMITS | | |
|-----------------|----------------|------------------------------|------|------|-------------------------------|------|------|
| | | MIN. | TYP. | MAX. | MIN. | MAX. | UNIT |
| V _{CC} | Supply voltage | 4.75 | 5.00 | 5.25 | 0.0 | 7.00 | Volt |
| T _A | Free air temp. | 0 | 25 | 55 | -40 | 75 | °C |

User Electrical Characteristics over Recommended Operating Limits

| MNEM. | PARAMETER | LOW RANGE | | | HIGH RANGE | | | |
|-----------------|--------------------------------------|------------------|------|------|------------------|------|------|------|
| | | MIN. | TYP. | MAX. | MIN. | TYP. | MAX. | UNIT |
| V _{IH} | High level user input voltage | 4.5 | | 22.0 | 20.0 | | 80.0 | VRMS |
| V _{IL} | Low level user input voltage | 0 | | 3.0 | 0 | | 3.4 | VRMS |
| I _{IH} | High level user current | 0 | | 10.0 | .5 | | 2.5 | mA |
| I _{IL} | Low level user input leakage current | | | 14.0 | | | 14.0 | μamp |
| R _{IO} | Isolation resistance | 10 ¹⁰ | | | 10 ¹⁰ | | | Ω |
| V _{IO} | Isolation voltage | 500 | | | 500 | | | VDC |

STD BUS Electrical Characteristics over Recommended Operating Limits

| MNEM. | PARAMETER | LOW RANGE | | | HIGH RANGE | | | |
|-----------------|------------------------|--------------------------------------|------|------|------------|------|------|------|
| | | MIN. | TYP. | MAX. | MIN. | TYP. | MAX. | UNIT |
| I _{CC} | STD BUS supply current | | 150 | 250 | | 150 | 250 | mA |
| | STD BUS input load | See STD 7503 Edge Connector Pin List | | | | | | |
| | STD BUS output drive | See STD 7503 Edge Connector Pin List | | | | | | |

Switching Characteristics over Recommended Operating Limits

| MNEM | PARAMETER | FROM | TO | BOTH RANGES | | | COMMENTS |
|-------------------|-----------------|----------------|--------------|-------------|---------|----------|--------------------|
| | | | | MIN | TYP. | MAX. | |
| T _{PHL} | Active-Inactive | User Interface | STD Data Bus | | 36msec. | 200msec. | See Timing diagram |
| T _{PLH} | Inactive-Active | " | " | | 11msec. | 50msec. | See Timing Diagram |
| T _{STAB} | Stabilize | " | " | | 50msec. | 250msec. | See Timing diagram |

ELECTRICAL SPECIFICATIONS FOR THE 7506

7506 Optoisolated Input Card Electrical Specifications

| MNEM | PARAMETER | RECOMMENDED OPERATING LIMITS | | | ABSOLUTE NON-OPERATING LIMITS | | |
|-----------------|----------------|------------------------------|------|------|-------------------------------|------|------|
| | | MIN. | TYP. | MAX. | MIN. | MAX. | UNIT |
| V _{cc} | Supply voltage | 4.75 | 5.00 | 5.25 | 0.0 | 7.00 | Volt |
| T _A | Free air temp. | 0 | 25 | 55 | -40 | 75 | °C |

User Electrical Characteristics over Recommended Operating Limits

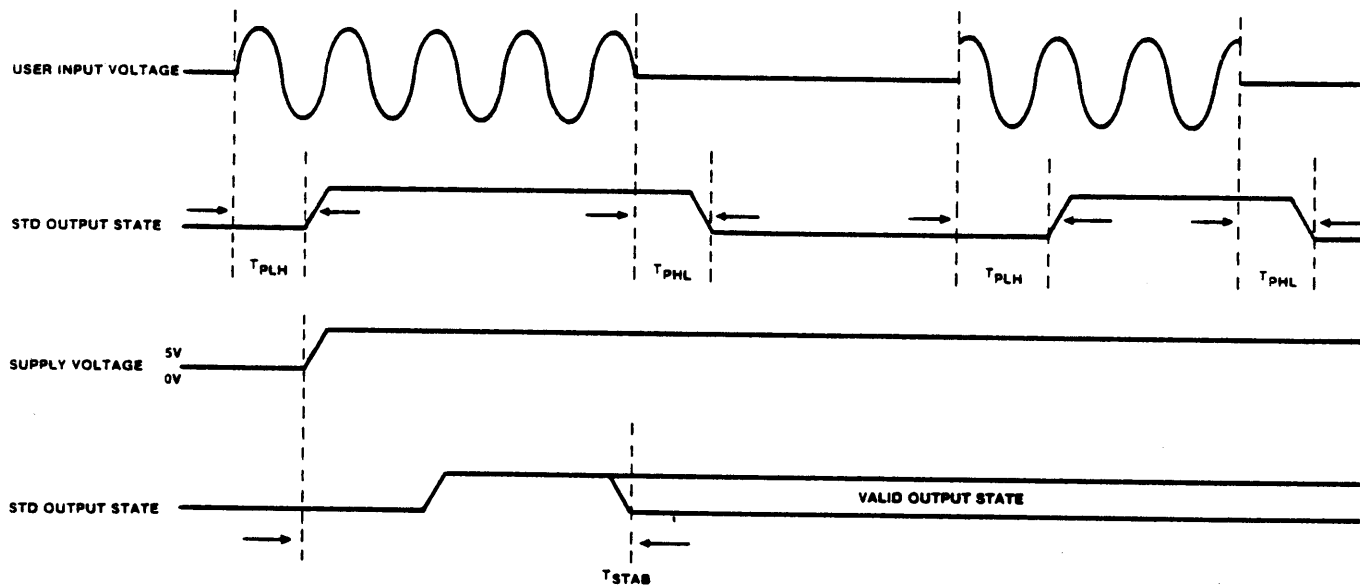
| MNEM | PARAMETER | LOW RANGE | | | HIGH RANGE | | | UNIT |
|-----------------|--------------------------------------|------------------|------|------|------------------|------|------|------|
| | | MIN. | TYP. | MAX. | MIN. | TYP. | MAX. | |
| V _{IH} | High level user input voltage | 70 | | 150 | 140 | | 280 | VRMS |
| V _{IL} | Low level user input voltage | | | 4.0 | | | 7.0 | VRMS |
| I _{IH} | High level user input current | .50 | | 2.0 | .50 | | 1.0 | mA |
| I _{IL} | Low level user input leakage current | | | 14.0 | | | 14.0 | μamp |
| R _{IO} | Isolation resistance | 10 ¹⁰ | | | 10 ¹⁰ | | | Ω |
| V _{IO} | Isolation voltage | 1500 | | | 1500 | | | VDC |

STD BUS Electrical Characteristics over Recommended Operating Limits

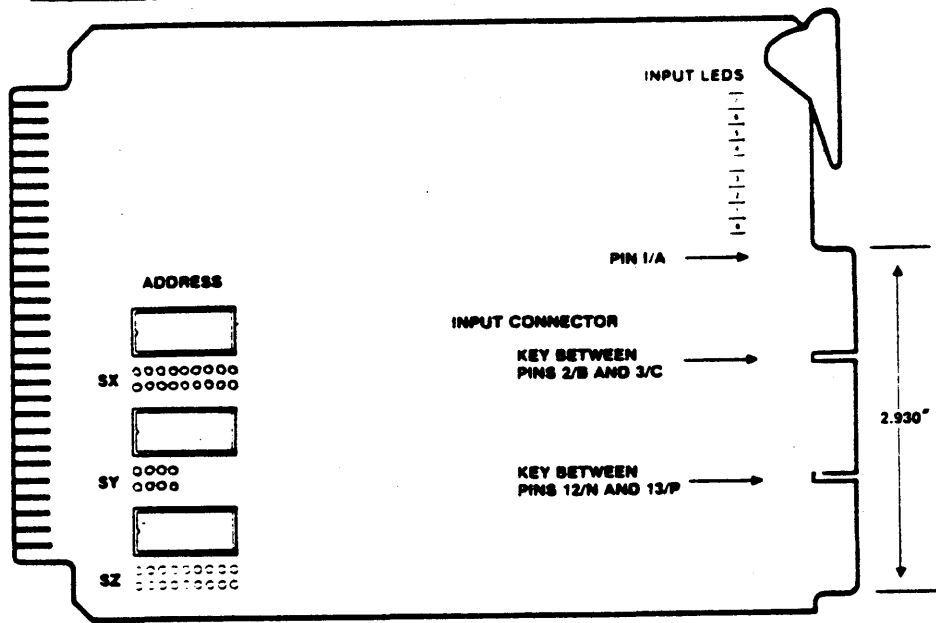
| MNEM | PARAMETER | LOW RANGE | | | HIGH RANGE | | | UNIT |
|-----------------|------------------------|--------------------------------------|------|------|------------|------|------|------|
| | | MIN. | TYP. | MAX. | MIN. | TYP. | MAX. | |
| I _{cc} | STD BUS supply current | | 150 | 250 | | 150 | 250 | mA |
| | STD BUS input load | See STD 7506 Edge Connector Pin List | | | | | | |
| | STD BUS output drive | See STD 7506 Edge Connector Pin List | | | | | | |

Switching Characteristics over Recommended Operating Limits

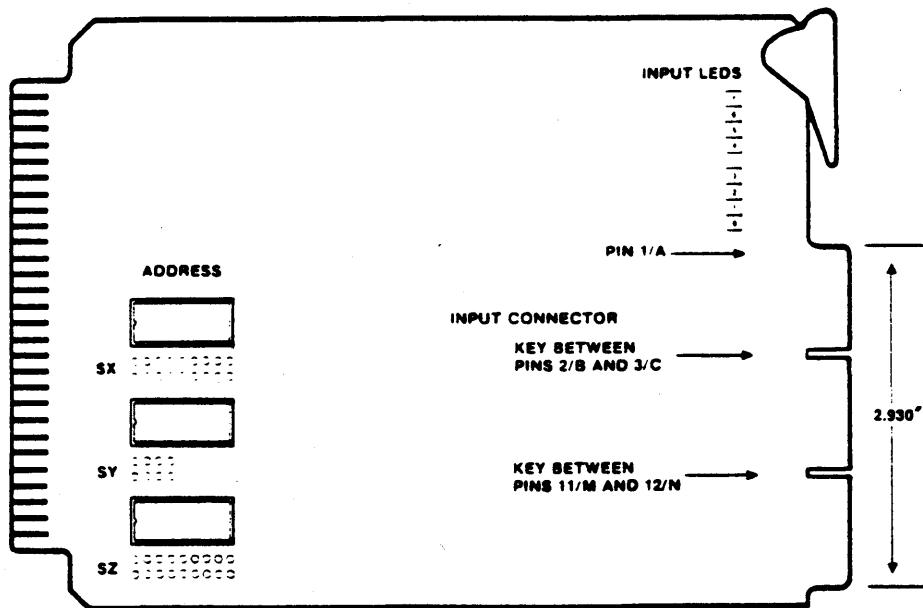
| MNEM | PARAMETER | FROM | TO | BOTH RANGES | | | COMMENTS |
|-------------------|-----------------|----------------|--------------|-------------|---------|----------|--------------------|
| | | | | MIN. | TYP. | MAX. | |
| T _{PHL} | Active-Inactive | User Interface | STD Data Bus | | 36msec. | 200msec. | See Timing diagram |
| T _{PLH} | Inactive-Active | " | " | | 11msec. | 60msec. | See Timing Diagram |
| T _{STAB} | Stabilize | " | " | | 50msec. | 250msec. | See Timing diagram |



INPUT CIRCUIT TIMING DIAGRAM



7503 COMPONENT PLACEMENT DIAGRAM



7506 COMPONENT PLACEMENT DIAGRAM

| INTERFACE CONNECTOR PIN LIST | |
|---------------------------------|-------------|
| PIN NUMBER | |
| SIGNAL | |
| 1/A | AC INPUT 7A |
| 2/B | 7B |
| 3/C | AC INPUT 6A |
| 4/D | 6B |
| 5/E | AC INPUT 5A |
| 6/F | 5B |
| 7/H | AC INPUT 4A |
| 8/J | 4B |
| 9/K | AC INPUT 3A |
| 10/L | 3B |
| 11/M | AC INPUT 2A |
| 12/N | 2B |
| 13/P | AC INPUT 1A |
| 14/R | 1B |
| 15/S | AC INPUT 0A |
| 16/T | 0B |
| 17/U | SPARE |
| 18/V | SPARE |

7503/7506 Interface Connector Pin List

| EDGE CONNECTOR PIN LIST | | | | | |
|-------------------------|-----|----|----------------------|-----|-----------|
| PIN NUMBER | | | PIN NUMBER | | |
| OUTPUT (LSTTL DRIVE) | | | OUTPUT (LSTTL DRIVE) | | |
| INPUT (LSTTL LOADS) | | | INPUT (LSTTL LOADS) | | |
| MNEMONIC | | | MNEMONIC | | |
| -5 VOLTS | VCC | 2 | 1 | VCC | -5 VOLTS |
| GROUND | GND | 4 | 3 | GND | GROUND |
| -5V | | 6 | 5 | | -5V |
| D7 | | 8 | 7 | | D3 |
| D6 | | 10 | 9 | | D2 |
| D5 | | 12 | 11 | | D1 |
| D4 | | 14 | 13 | | D0 |
| A15 | | 16 | 15 | 1 | A7 |
| A14 | | 18 | 17 | 1 | A6 |
| A13 | | 20 | 19 | 1 | A5 |
| A12 | | 22 | 21 | 1 | A4 |
| A11 | | 24 | 23 | 1 | A3 |
| A10 | | 26 | 25 | 1 | A2 |
| A9 | | 28 | 27 | 1 | A1 |
| A8 | | 30 | 29 | 1 | A0 |
| RD* | 1 | 32 | 31 | | WR* |
| MEMRO* | | 34 | 33 | 1 | IORQ* |
| MEMEX* | | 36 | 35 | 1 | IOEXP* |
| MCSYNC* | | 38 | 37 | | REFRESH* |
| STATUS 0* | | 40 | 39 | | STATUS 1* |
| BUSRO* | | 42 | 41 | | BUSAK* |
| INTRO* | | 44 | 43 | | INTAK* |
| NMIRO* | | 46 | 45 | | WAITRO* |
| PBRESET* | | 48 | 47 | | SYSRESET* |
| CNTRL* | | 50 | 49 | | CLOCK* |
| PC1 | IN | 52 | 51 | OUT | PC0 |
| AUX GND | | 54 | 53 | | AUX GND |
| AUX -V | | 56 | 55 | | AUX -V |

*Designates Active Low Level Logic

7503/7506 Edge Connector Pin List

MECHANICAL

Refer to the Component Placement Diagram for component placement information.

The 7503/7506 meets all STD BUS general mechanical specifications. The 7503/7506 requires clearances of 0.150" on the circuit side and 0.600" on the component side of the printed circuit board when placed in a Series 7000 card rack.

Clear plastic shields are provided on both sides of the assembly for protection from high voltage. Both adjacent slots must be vacant for clearance of the shields and the input connector.

The user can connect the 7503/7506 by using a PC board edge connector with solder tail connections. The recommended card edge connector is supplied with Pro-Log assembly GS18. Also included are a protective hood, all hardware, and keys. The keys must be installed in the position shown in the component placement diagram.

7503 AND 7506 OPERATING SUBROUTINE MODULE

This section provides a flow diagram and subroutine to operate your 7503/7506 card. It may be used intact, or used as a model to construct subroutines for a specific application. The subroutine is written in 8080-family assembly code and will execute on 8080, 8085, and Z80 processors. The memory addresses selected are compatible with Pro-Log's 7801 (8085A) and 7803 (Z80) processor cards. The 7503/7506 port addresses used are the address jumper selections made when the 7503/7506 is shipped.

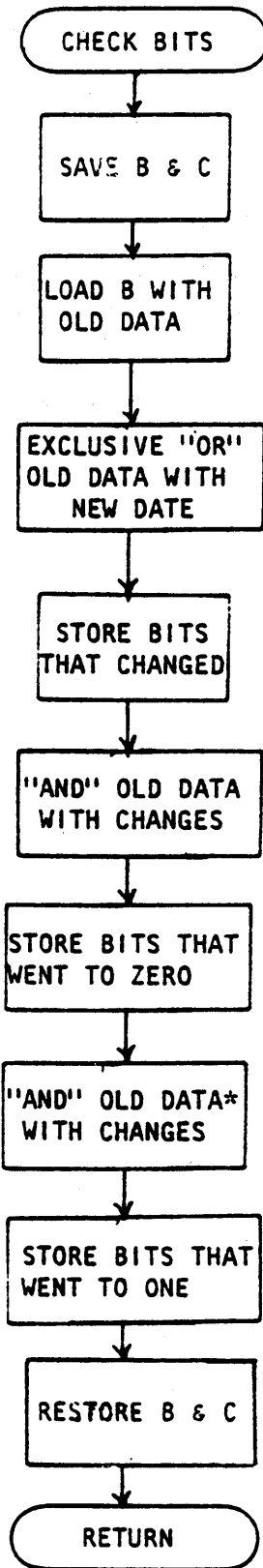
To use the subroutine in systems other than those described above, the memory and/or I/O port addresses may require change for compatibility. The flow diagram presented can be easily translated into the assembly code used by any microprocessor since they show the steps required to achieve 7503/7506 operation without reference to particular microprocessor.

The following subroutine will compare the present port status with the port status from the last time that the port was read. To use the routine the HL pointer must point to a place in memory where port status is stored. Also, the port must be read into the accumulator before calling the routine. Upon return from the routine the location that the HL pointer was previously set will contain new port status. Plus the next four locations will contain change status.

Uses Registers A, C, H and L

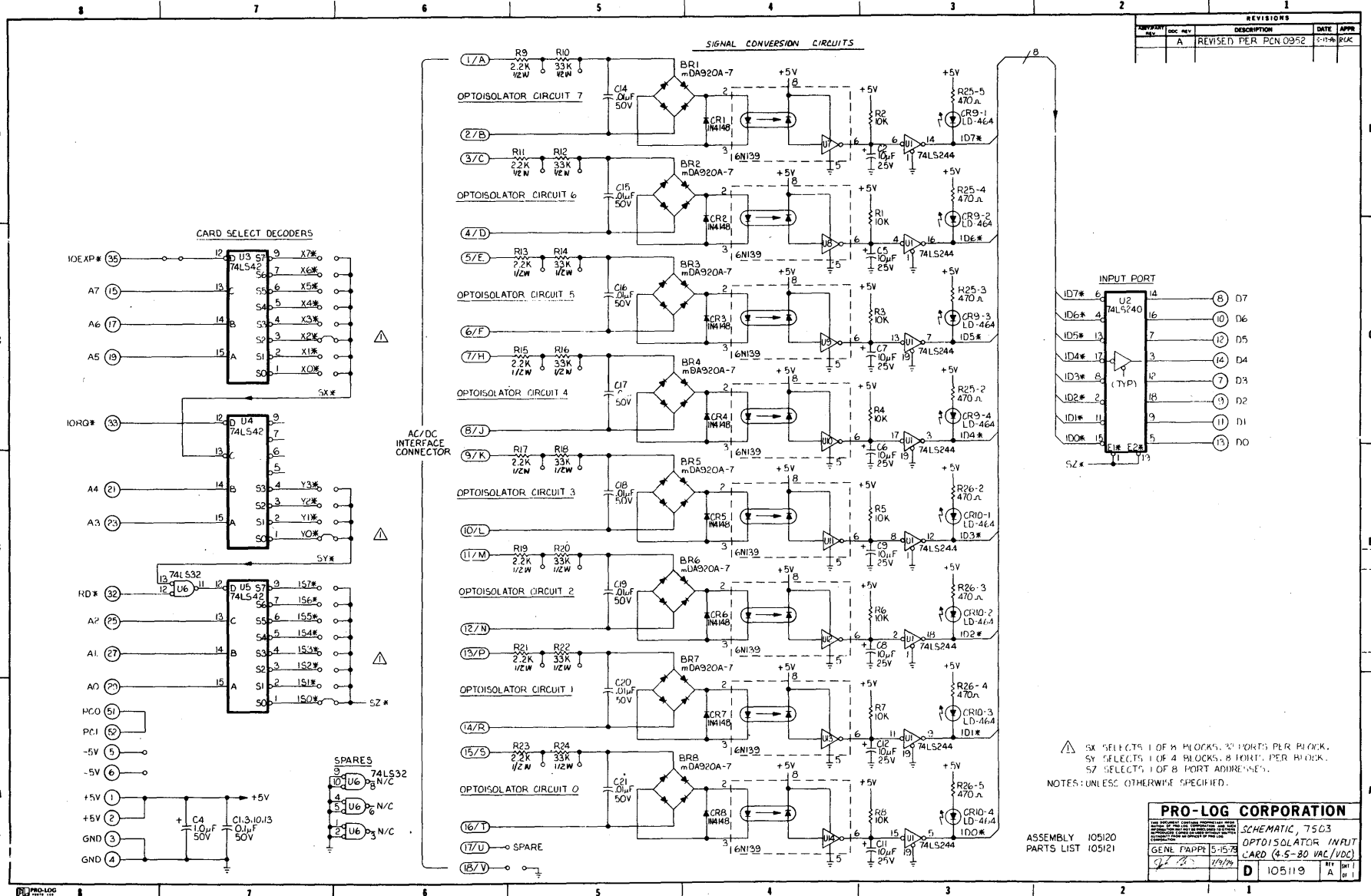
| | | |
|-------|-----------------|-------------------------|
| M | XX New Data | ←Location HL was set to |
| M + 1 | XX Old Data | |
| M + 2 | XX Changes | |
| M + 3 | XX Bits to Zero | |
| M + 4 | XX Bits to One | |

Memory after Return



| HEXADECIMAL | | | MNEMONIC | | | TITLE | DATE |
|-------------|----------|--------|--------------|--------|----------|---------------------------------------|---|
| PAGE ADR | LINE ADR | INSTR. | LABEL | INSTR. | MODIFIER | COMMENTS | |
| | 0 | | | LDPI | HL | ↓ Set Pointer | |
| | 1 | | | - | XX | | |
| | 2 | | | - | XX | | |
| | 3 | | | IPA | | ↓ Input New Data | |
| | 4 | | | - | XX | | |
| | 5 | C5 | (check Bits) | PSP | BC | ← Save Contents of Regs B and C | |
| | 6 | 46 | | LDB | M(HL) | ← Put OLD Data in B | |
| | 7 | 77 | | STAN | (HL) | ← Store New Data | |
| | 8 | 23 | | ICP | (HL) | ↓ Store OLD Data in Next Location | |
| | 9 | 70 | | STBN | (HL) | | |
| | A | AB | | XRA | B | ← OLD ⊕ NEW = CHANGES | <div style="border: 1px solid black; padding: 5px;"> 00001111 OLD ⊕ 01010101 NEW 01011010 CHANGES </div> |
| | B | 23 | | ICP | HL | ↓ Store CHANGES in Next Location | |
| | C | 77 | | STAN | (HL) | | |
| | D | 4F | | LDC | A | ← Put Changes in C | |
| | E | 78 | | LDA | B | ← Put OLD DATA IN A | |
| | F | A1 | | ANA | C | ← OLD • CHANGES = Bits to Zero | <div style="border: 1px solid black; padding: 5px;"> 00001111 OLD • 01011010 CHANGES 00001010 Bits to Zero </div> |
| | 0 | 23 | | ICP | HL | ↓ Store Bits to Zero in Next Location | |
| | 1 | 77 | | STAN | (HL) | | |
| | 2 | 78 | | LDA | B | ↓ Compliment OLD DATA | |
| | 3 | 2F | | CMA | | | |
| | 4 | A1 | | ANA | C | ← OLD • CHANGES = Bits to ONE | <div style="border: 1px solid black; padding: 5px;"> 11110000 OLD • 01011010 CHANGES 01010000 Bits to ONE </div> |
| | 5 | 23 | | ICP | HL | ↓ Store Bits to ONE in Next Location | |
| | 6 | 77 | | STAN | (HL) | | |
| | 7 | C1 | | PLP | BC | ← Restore Contents of Regs B and C | |
| | 8 | C9 | | RTS | UN | ← Return from Subroutine | |
| | 9 | | | | | USES REGS A | and Pointer HL |
| | A | | | | | | |
| | B | | | | | | |
| | C | | | | | | |
| | D | | | | | | |
| | E | | | | | | |
| | F | | | | | | |

| | | |
|--------------------|-----------------|-----|
| RAM MEMORY | XX NEW DATA | M |
| AFTER Return | XX OLD DATA | M+1 |
| (uses 5 locations) | XX CHANGES | M+2 |
| | XX Bits to Zero | M+3 |
| | XX Bits to ONE | M+4 |

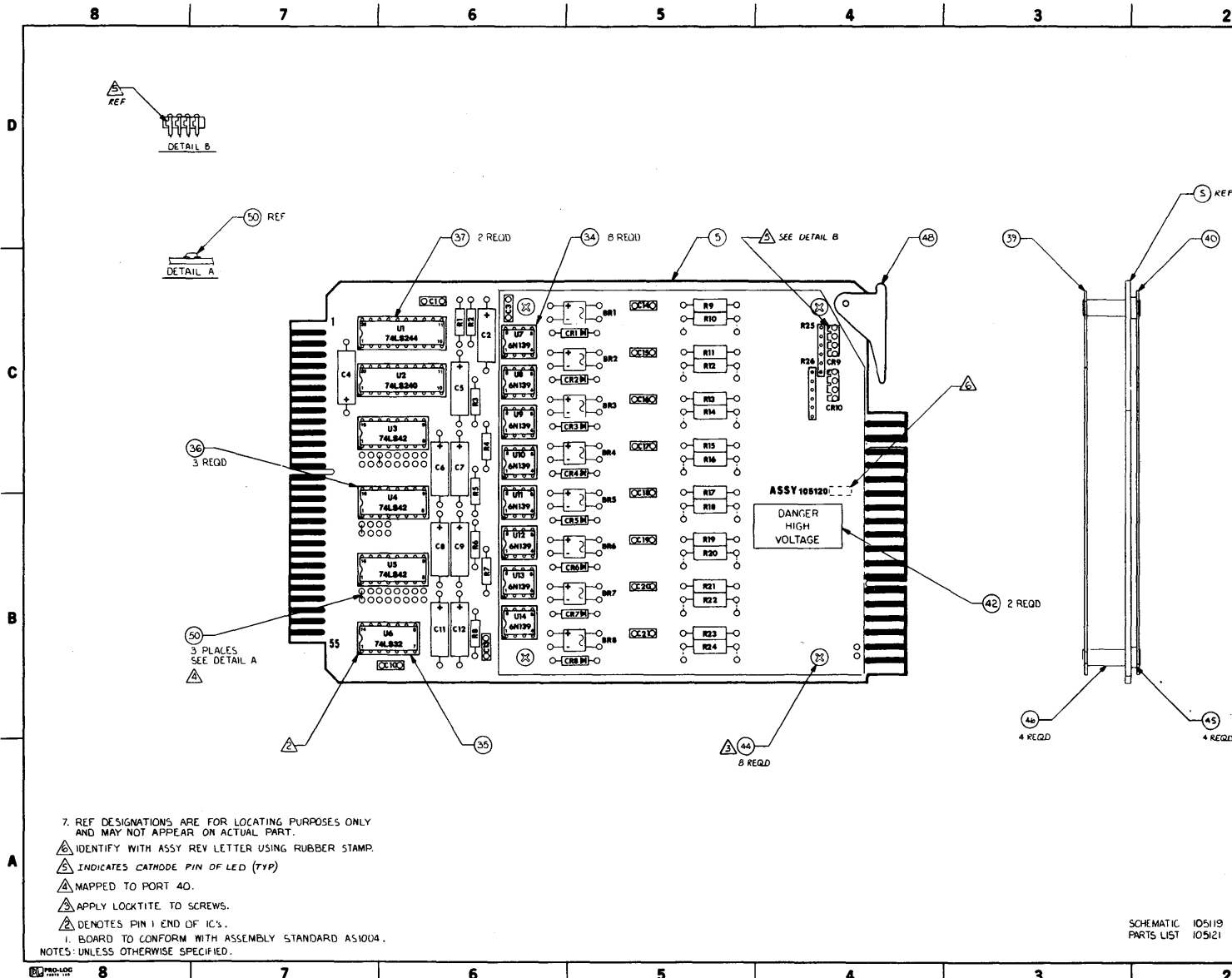


| REVISIONS | | | |
|-----------|---------|----------------------|---------|
| REV | DOC REV | DESCRIPTION | DATE |
| A | | REVISED PER PCN 0952 | 5-14-75 |

△ SX SELECTS 1 OF 8 BLOCKS, 8 PORTS PER BLOCK.
 SY SELECTS 1 OF 4 BLOCKS, 8 PORTS PER BLOCK.
 SZ SELECTS 1 OF 8 PORT ADDRESSES.
 NOTES: UNLESS OTHERWISE SPECIFIED.

| | |
|----------------------------|--|
| PRO-LOG CORPORATION | |
| ASSEMBLY 105120 | SCHEMATIC, 7503 |
| PARTS LIST 105121 | OPTOISOLATOR INPUT CARD (4-5-80 VAC/VDC) |
| GENE TADPR 5-15-75 | REV A |
| 2/4/75 | D 105119 |

| REVISIONS | | | | |
|-----------|------|----------------------|------|-------|
| NO. | DATE | DESCRIPTION | DATE | APPR. |
| A | | REVISED PER PCN 0390 | | |
| B | | REVISED PER PCN 140 | | |



7. REF DESIGNATIONS ARE FOR LOCATING PURPOSES ONLY AND MAY NOT APPEAR ON ACTUAL PART.

△ IDENTIFY WITH ASSY REV LETTER USING RUBBER STAMP.

△ INDICATES CATHODE PIN OF LED (TYP)

△ MAPPED TO PORT 40.

△ APPLY LOCKTITE TO SCREWS.

△ DENOTES PIN 1 END OF IC'S.

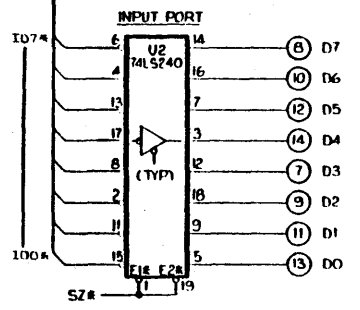
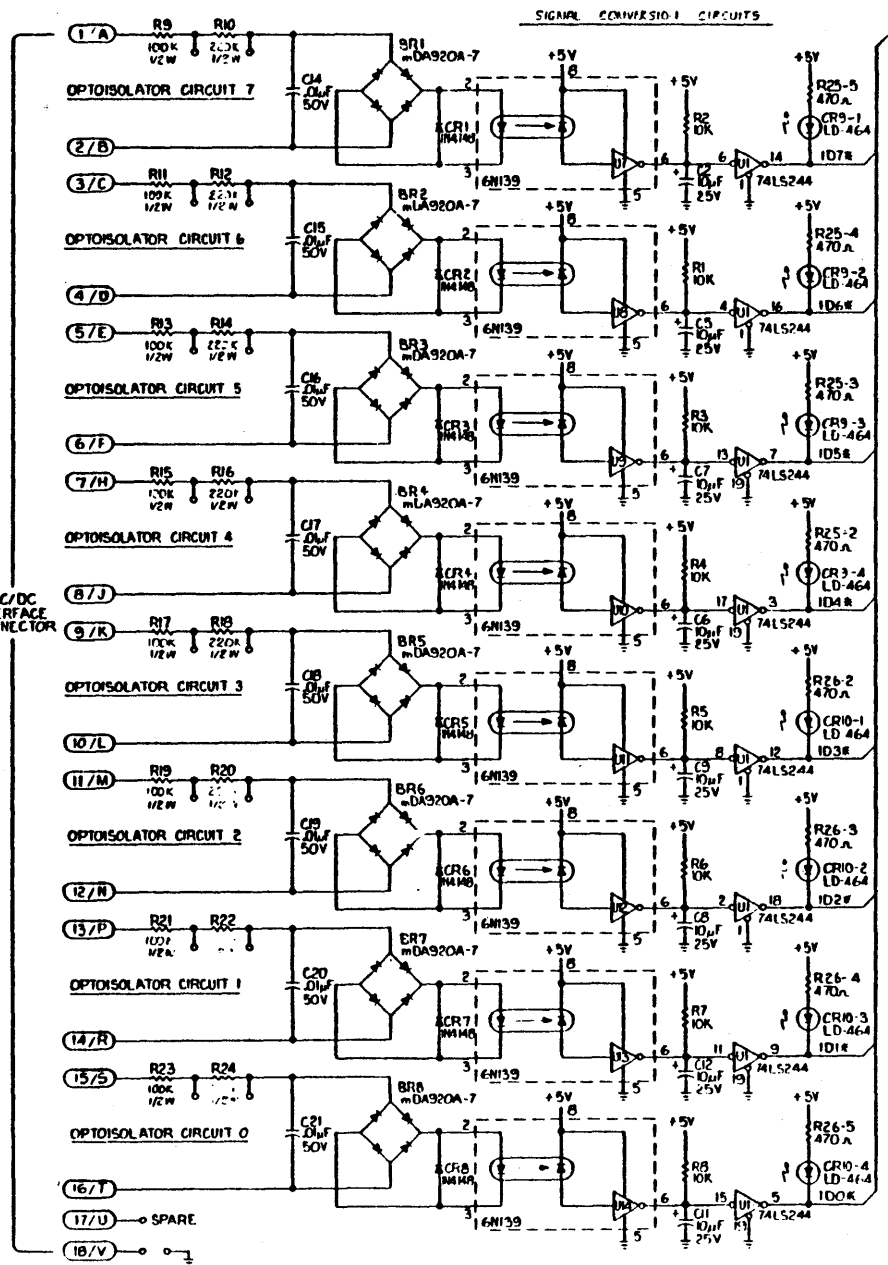
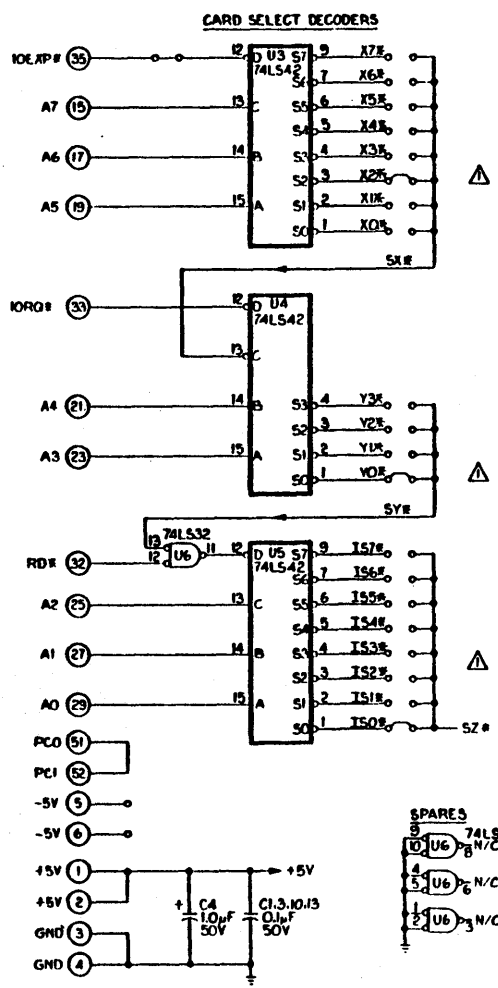
1. BOARD TO CONFORM WITH ASSEMBLY STANDARD AS1004.

NOTES: UNLESS OTHERWISE SPECIFIED.

| 24 | 33K, CF, 1/2W, 5% | R10, R16, R18, R20, R22, R24 |
|----------------------------------|--------------------|----------------------------------|
| 23 | 2.2K, CF, 1/2W, 5% | R9, R11, R15, R17, R19, R21, R23 |
| 22 | 470Ω NETWORK | R25-R28 |
| 21 | 10K, CF, 1/2W, 5% | R1-B |
| 17 | MDA92XA-7 | CR1-E |
| 16 | | |
| 15 | 1N4148 | CR1-R |
| 14 | | |
| 13 | LD464 | CR3-I0 |
| 12 | | |
| 11 | 10μF 25V | C1, C2, C11, C12 |
| 10 | 1μF 50V | C4 |
| 9 | | |
| 8 | 1μF 50V | C13, C10, C12 |
| 7 | 0.1μF 50V | C14, C1 |
| ITEM DESCRIPTION REF DESIGNATION | | |
| PRO-LOG CORPORATION | | |
| ASSEMBLY, 7503 | | |
| OPTO-ISOLATED INPUT | | |
| CALD (4.5-80 VAC/1DC) | | |
| GENE PAPPE | | |
| D | 105120 | REV 1 |

SCHEMATIC 105119
PARTS LIST 105121

| REVISIONS | | | |
|-----------|---------|---------------|--------|
| REV. | DATE | DESCRIPTION | APP'D. |
| A | REVISED | FOR PCN #0413 | |



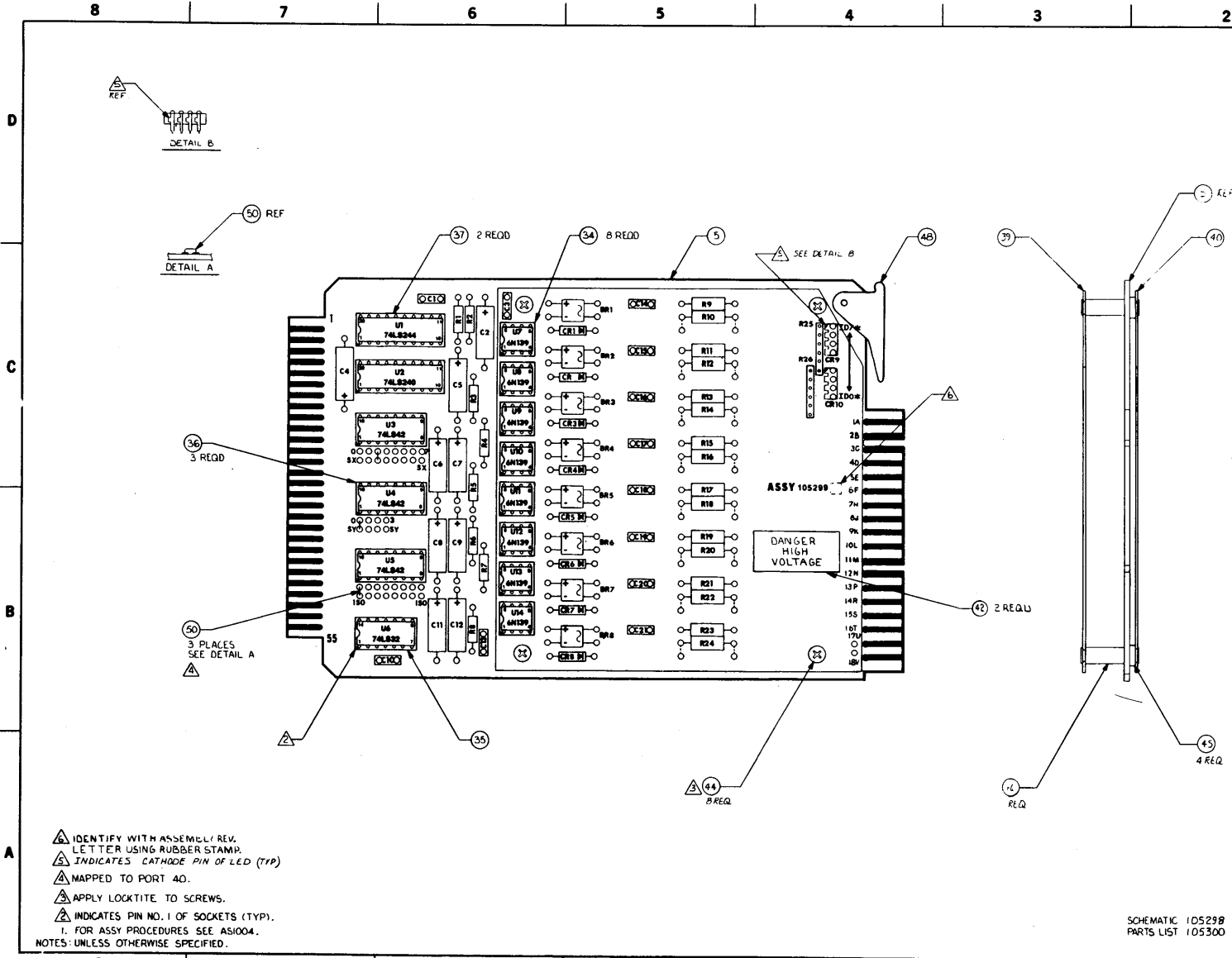
REFERENCE ONLY

⚠️ S1X#SELECTS 1 OF 8 BLOCKS, 32 PORTS PER BLOCK.
 S1Y#SELECTS 1 OF 4 BLOCKS, 8 PORTS PER BLOCK.
 S2#SELECTS 1 OF 8 PORT ADDRESSES.
 NOTES: UNLESS OTHERWISE SPECIFIED.

ASSEMBLY 105299
 PARTS LIST 105300

| PRO-LOG CORPORATION | | | |
|---------------------|--|----------|--|
| 1536 | | 1536 | |
| GENE PAPER | | 10-2302 | |
| D | | 105299 A | |

| REVISIONS | | | | |
|-----------|------|------------------------|----|------|
| REV | DATE | DESCRIPTION | BY | APPV |
| A | | R. VISUO PER PCN# J618 | | |



▲ IDENTIFY WITH ASSEMBLY REV. LETTER USING RUBBER STAMP.
 ▲ INDICATES CATHODE PIN OF LED (TYP)
 ▲ MAPPED TO PORT 40.
 ▲ APPLY LOCKTITE TO SCREWS.
 ▲ INDICATES PIN NO. 1 OF SOCKETS (TYP).
 1. FOR ASSY PROCEDURES SEE AS1004.
 NOTES: UNLESS OTHERWISE SPECIFIED.

SCHEMATIC 105298
PARTS LIST 105300

| | | | |
|----|--------------|----|-------------------------|
| 24 | 10KΩ 1/2W | 5% | R0,12,14,16,18,20,22,24 |
| 23 | 10KΩ 1/2W | 5% | R9,11,13,15,17,19,21,23 |
| 22 | 470Ω NETWORK | | R25-26 |
| 21 | 10KΩ 1/4W | 5% | R1-8 |
| 17 | MDA920A-7 | | BR1,2,3,4,5,6,7,8 |
| 16 | | | |
| 15 | 1N4148 | | CR1,2,3,4,5,6,7,8 |
| 14 | | | |
| 13 | LD464 | | CR9, CR10 |
| 12 | | | |
| 11 | 10μF 25V | | C2,5-9,11,12 |
| 10 | 1μF 50V | | C4 |
| 9 | | | |
| 8 | 1μF 50V | | C1,3,10,13 |
| 7 | 0.01μF 50V | | C14-21 |

| ITEM | DESCRIPTION | REF. DESIGNATION |
|----------------------------|-----------------------|------------------|
| PRO-LOG CORPORATION | | |
| | ASSEMBLY 7506 | |
| | OPT. FIELD INTR | |
| | CAND. (C) 280 VAC/160 | |
| GENE PAPPE | | |
| | | |
| D | 105299 | REV. A |

0

0

0



USER'S MANUAL



**2411 Garden Road
Monterey, California 93940
Telephone: (408) 372-4593
TWX: 910-360-7082**