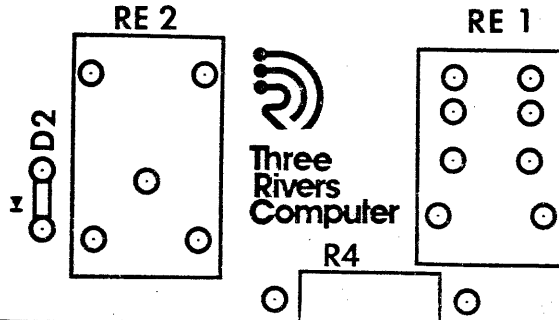


PRQ-SKN-ACD-C

Assm. no: PRQ-ACD-

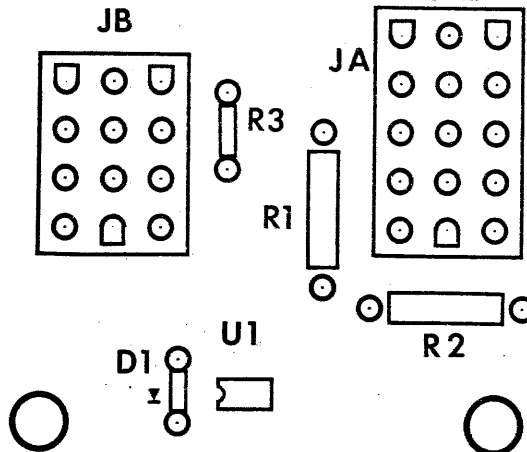
Serial



DANGER!

- HAZARDOUS VOLTAGES --
- PRESENT WHEN UNIT IS --
- PLUGGED INTO OUTLET --
- DISCONNECT LINE CORD --
- BEFORE SERVICING --
- REFER TO SERVICE MANUAL --

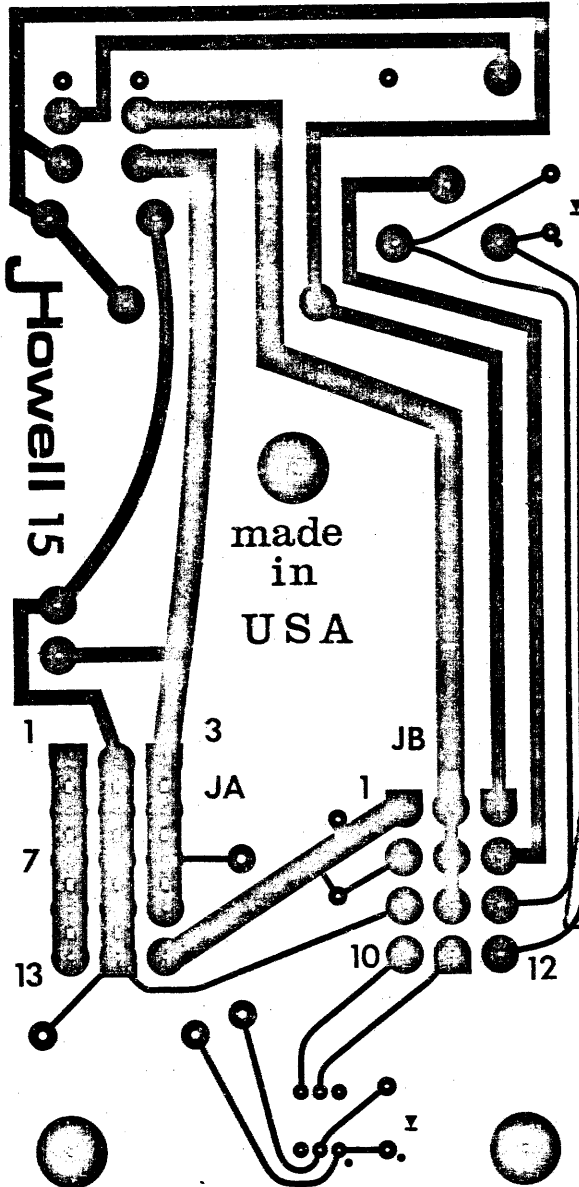
V1



PROPRIETARY INFORMATION
 FOR USE IN MAINTENANCE
ONLY. NOT TO BE COPIED
 OR DISCLOSED!

● solder side

Part no: PRQ-PCB-ACD-C



PROPRIETARY INFORMATION
FOR USE IN MAINTENANCE
ONLY. NOT TO BE COPIED
OR DISCLOSED!

- ② ~~20~~K 1W 810293-05
- ① 10K 2W 810286-06
- ① VZTSLAISA 800901-01
- ① . 91K 1/4W 810109-02

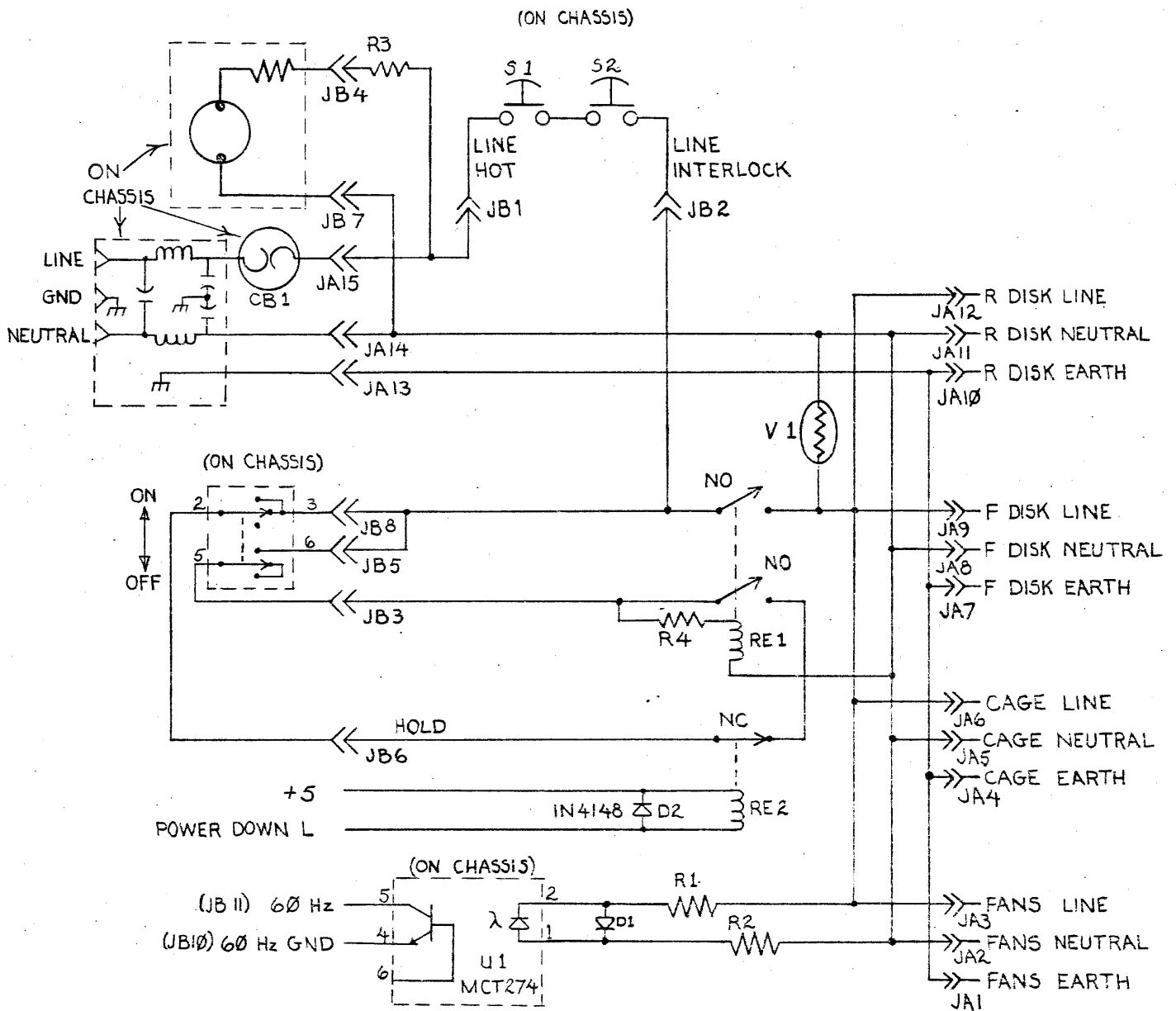
$$\begin{array}{r}
 120 \\
 \underline{120} \\
 2400 \\
 10K \underline{12000} \\
 14400
 \end{array}$$

$$\begin{array}{r}
 1.4 \\
 10000 \overline{) 14400}
 \end{array}$$

PART	PRQ-ACD-120-A		PRQ-ACD-220-A	
	PART N ^o	MANUF.	PART N ^o	MANUF.
DI, D2	IN4148	-	IN4148	-
R1	10K 1W	A-B	20K 1W	A-B
R2	10K 1W	A-B	20K 1W	A-B
R3	0Ω*	-	91K 1/4W**	A-B
R4	0Ω*	-	10K 2W**	A-B
RE1	1390P-2C-120A	GUARDIAN	1390P-2C-120-A	GUARDIAN
RE2	1345-1B-6D	GUARDIAN	1345-1B-6D	GUARDIAN
U1	MCT 274	MONSANTO	MCT 274	MONSANTO
JA	UML-15 350434-1	AMP	UML-15 350434-1	AMP
JB	UML-12 350764-40	AMP	UML-12 350764-40	AMP
V1	V150LA10A	GE	V275LA15A	GE
	PRQ-PCB-ACD-C		PRQ-PCB-ACD-C	

* FOIL JUMPER ON BOARD
 ** CUT FOIL JUMPER WHEN INSTALLING THIS RESISTOR

PROPRIETARY INFORMATION
 FOR USE IN MAINTENANCE
 ONLY. NOT TO BE COPIED
 OR DISCLOSED!

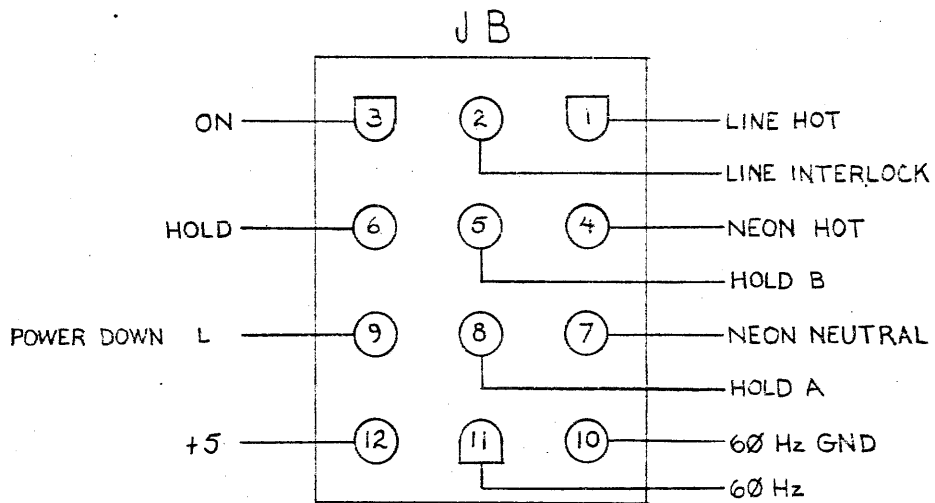
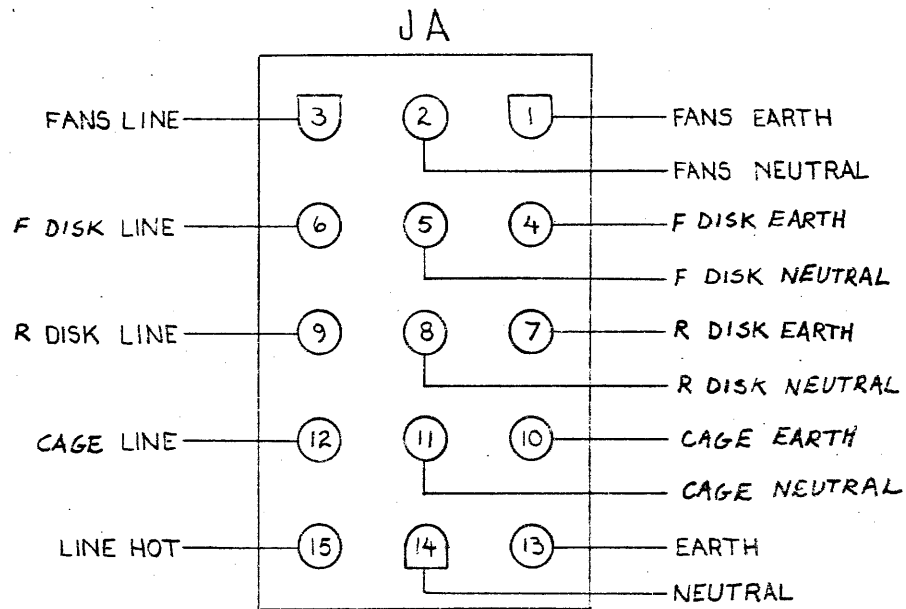


PART N^o PRQ-PCB-ACD

PROPRIETARY INFORMATION
 FOR USE IN MAINTENANCE
ONLY. NOT TO BE COPIED
 OR DISCLOSED!

REV D: 7/4/80 SB
 REV C: 5/6/80 SB
 REV B: 12/0/79 SB

	Three Rivers Computer	
	AC DISTRIBUTION	PERQ
<small>DESIGNED BY: [unreadable]</small> <small>DATE: [unreadable]</small>		<small>REV: 1 of 5</small>



PROPRIETARY INFORMATION
 FOR USE IN MAINTENANCE
 ONLY. NOT TO BE COPIED
 OR DISCLOSED!

REV C: 7/4/80 9B
 REV B: 12/10/79 7B

	Three Rivers Computer	
	MODEL: CONNECTOR/AC D.57	PART: PERQ
DRAWN BY: 2107	CHECKED BY:	PROJECT: 2228.D
		PAGE 2 OF 3