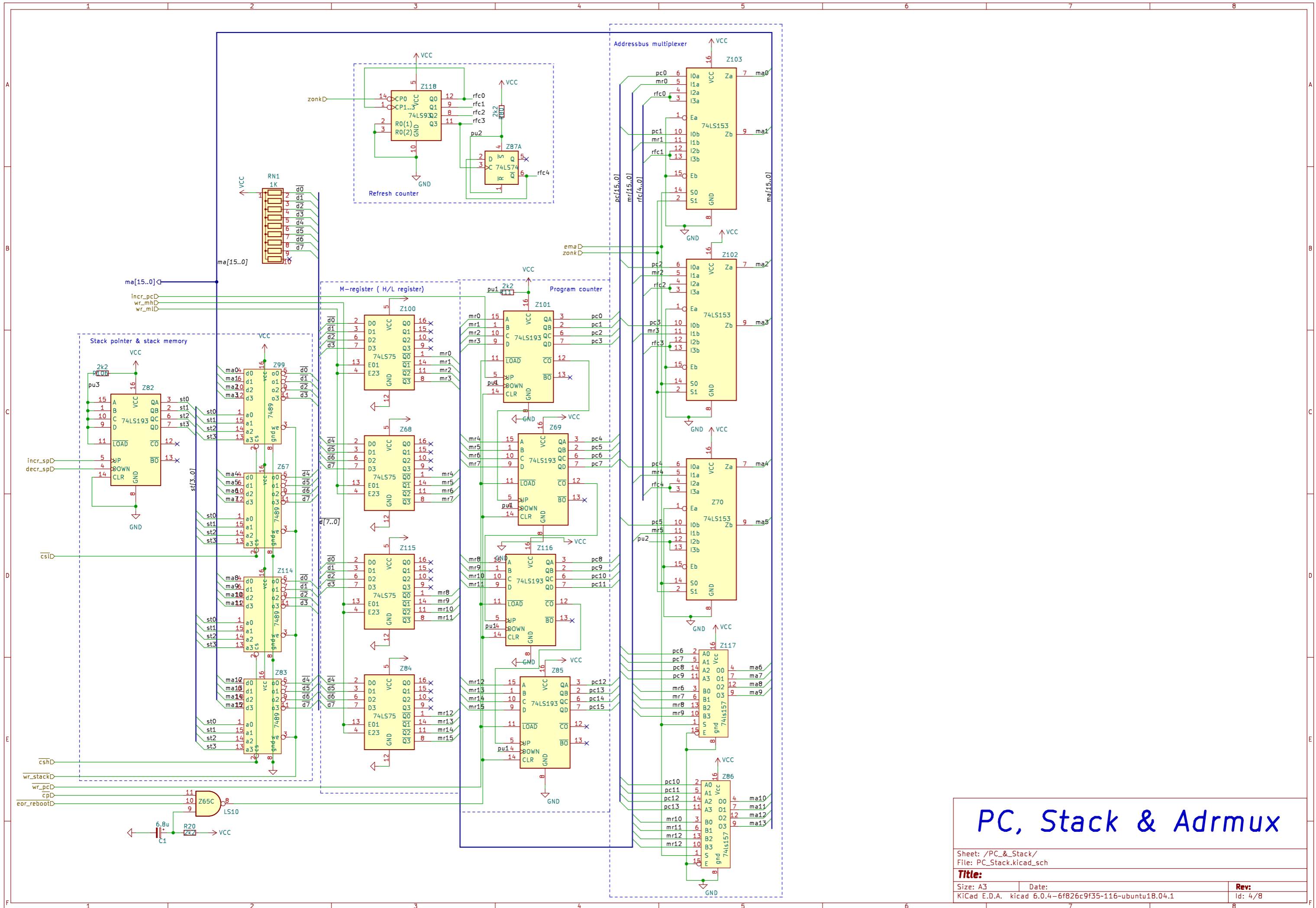


Timing generator

Sheet: /Timing/
File: Timing.kicad_sch

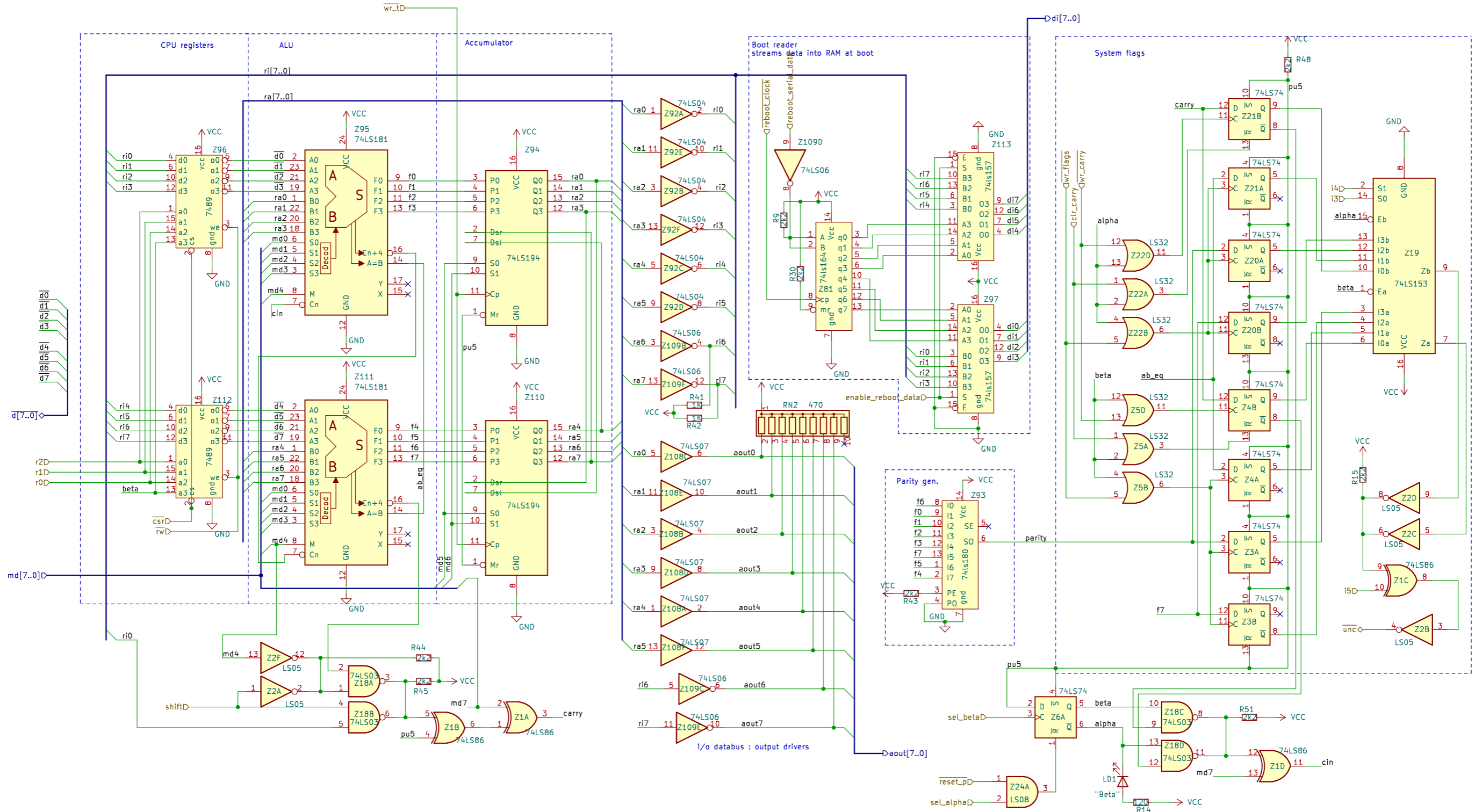
Title:

Size: A3	Date:	Rev:
KiCad E.D.A. kicad 6.0.4-6f826c9f35-116-ubuntu18.04.1		Id: 2/8

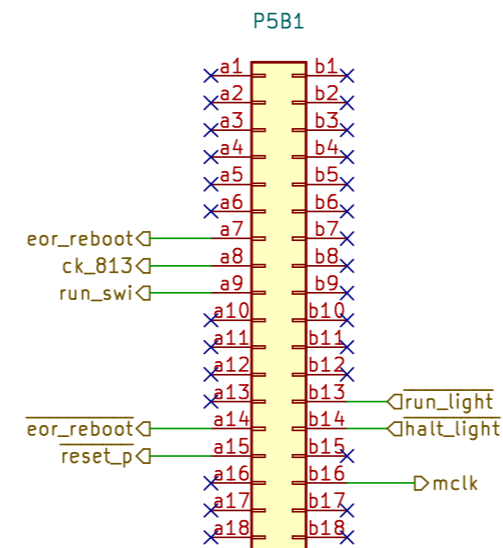
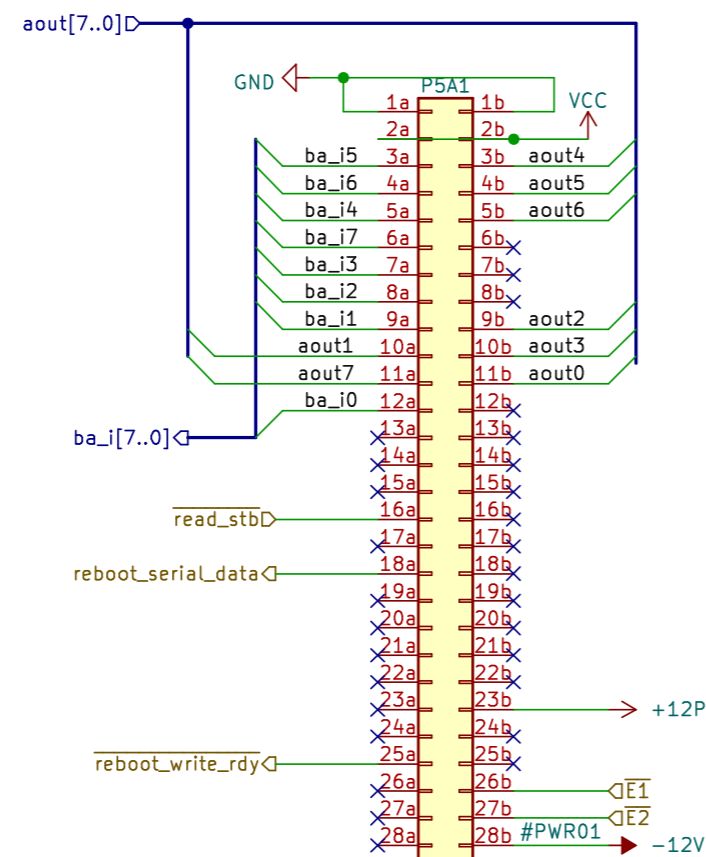


PC, Stack & Adrmux

Sheet: /PC_& Stack/		
File: PC_Stack.kicad_sch		
Title:		
Size: A3	Date:	Rev:
KiCad E.D.A. kicad 6.0.4-6f826c9f35-116-ubuntu18.04.1		Id: 4/8



ALU & registers



Keyboard special keys :

-
- RUN : starts machine.
- STOP : stops machine.
- KEYBOARD : status bit
- DISPLAY : status bit
- RESTART : Reboot machine

LED's

-
- Display
- Keyboard
- Run
- Reboot
- Single step
- Interrupt on
- Beta selected

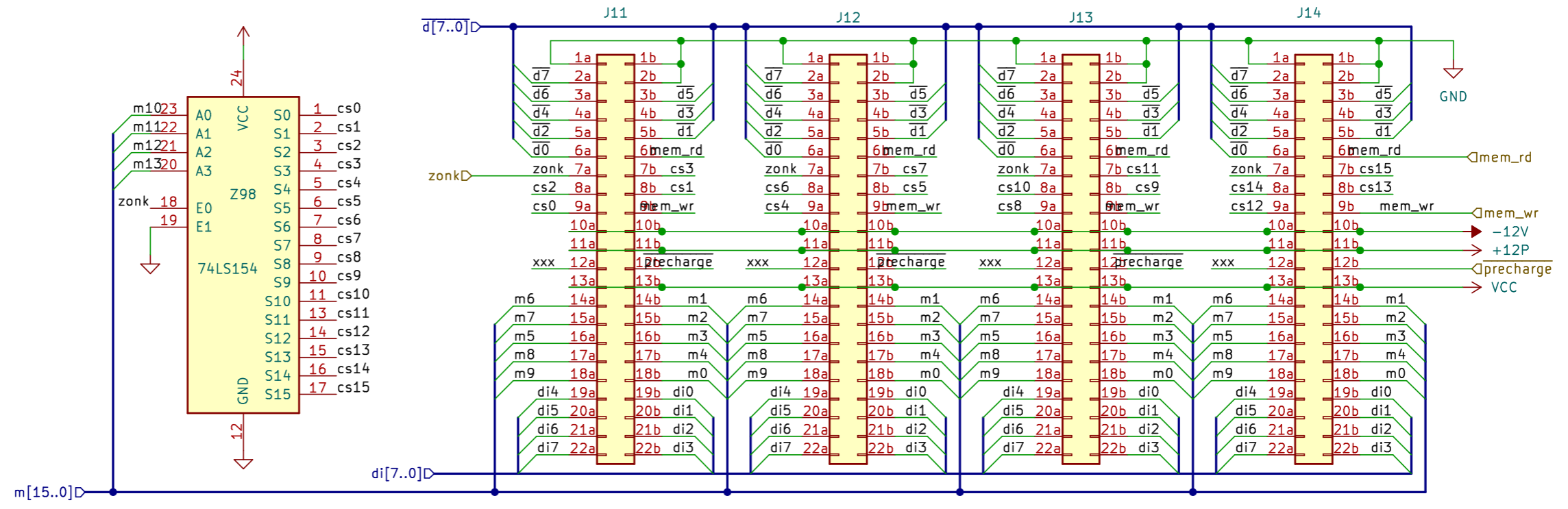
Cardedge conn.

Sheet: /Connectors/
File: Connectors.kicad_sch

Title:

Size: A4 Date:
KiCad E.D.A. kicad 6.0.4-6f826c9f35-116-ubuntu18.04.1

Rev:
Id: 7/8



RAM connectors

Sheet: /Ram/		File: ram.kicad_sch	
Title:			
Size: A4	Date:	Rev:	
KiCad E.D.A. kicad 6.0.4-6f826c9f35-116-ubuntu18.04.1			Id: 8/8