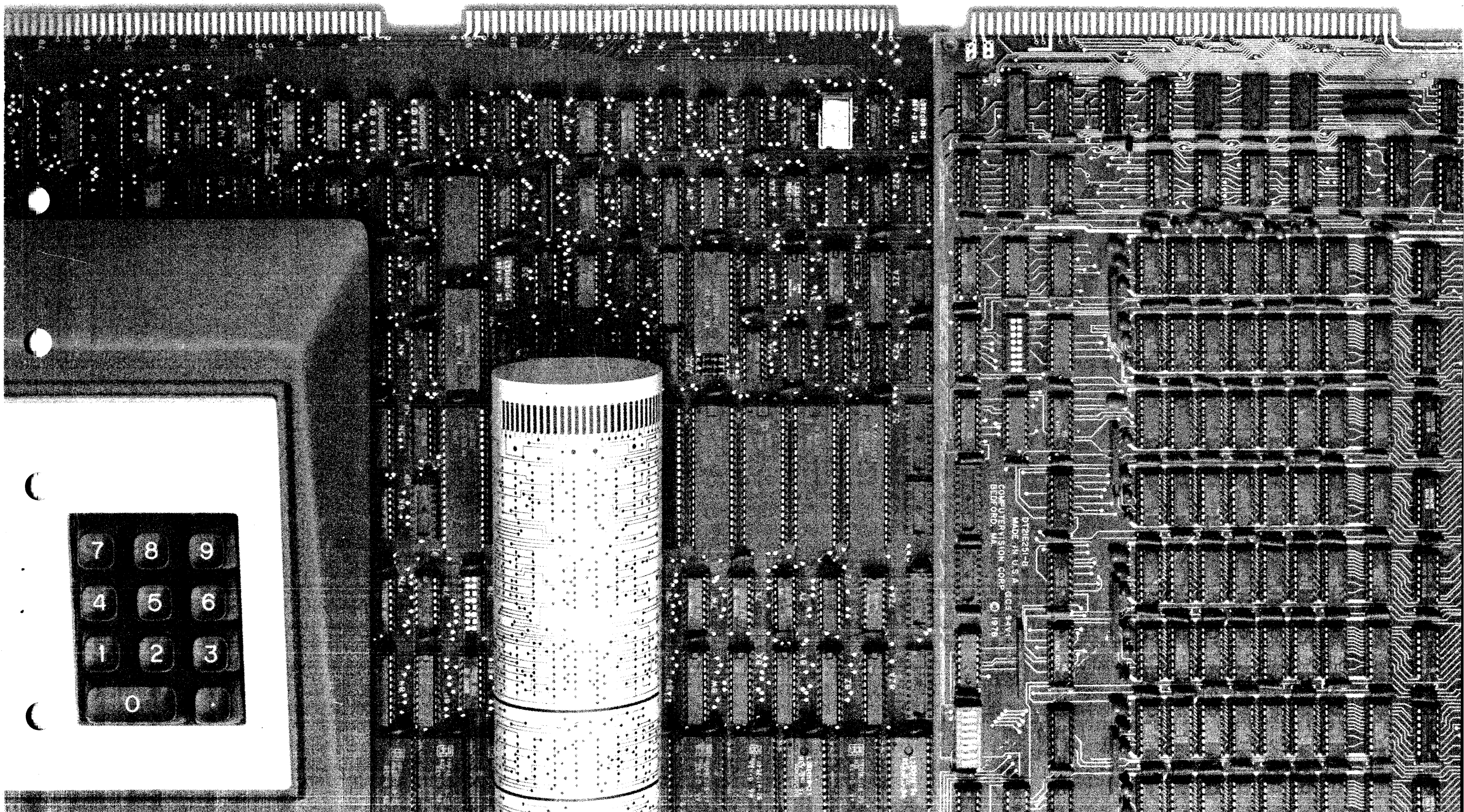


Disc Processing Unit (DPU)
Logic Diagrams



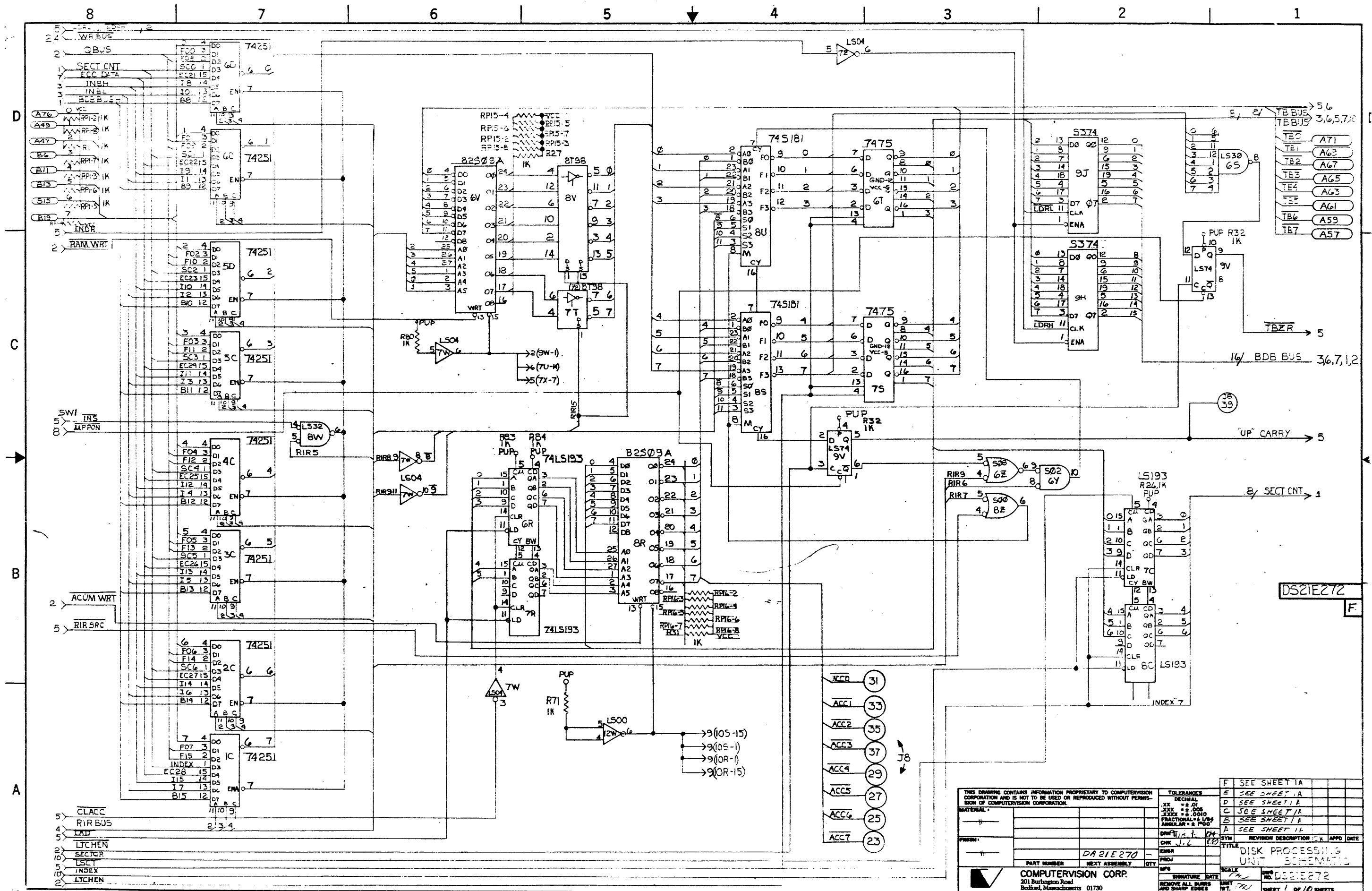
DT2E251-B
MADE IN U.S.A. 6001 34V
COMPUTERVISION CORP.
BURLINGTON, MA 01803

Disc Processing Unit (DPU)

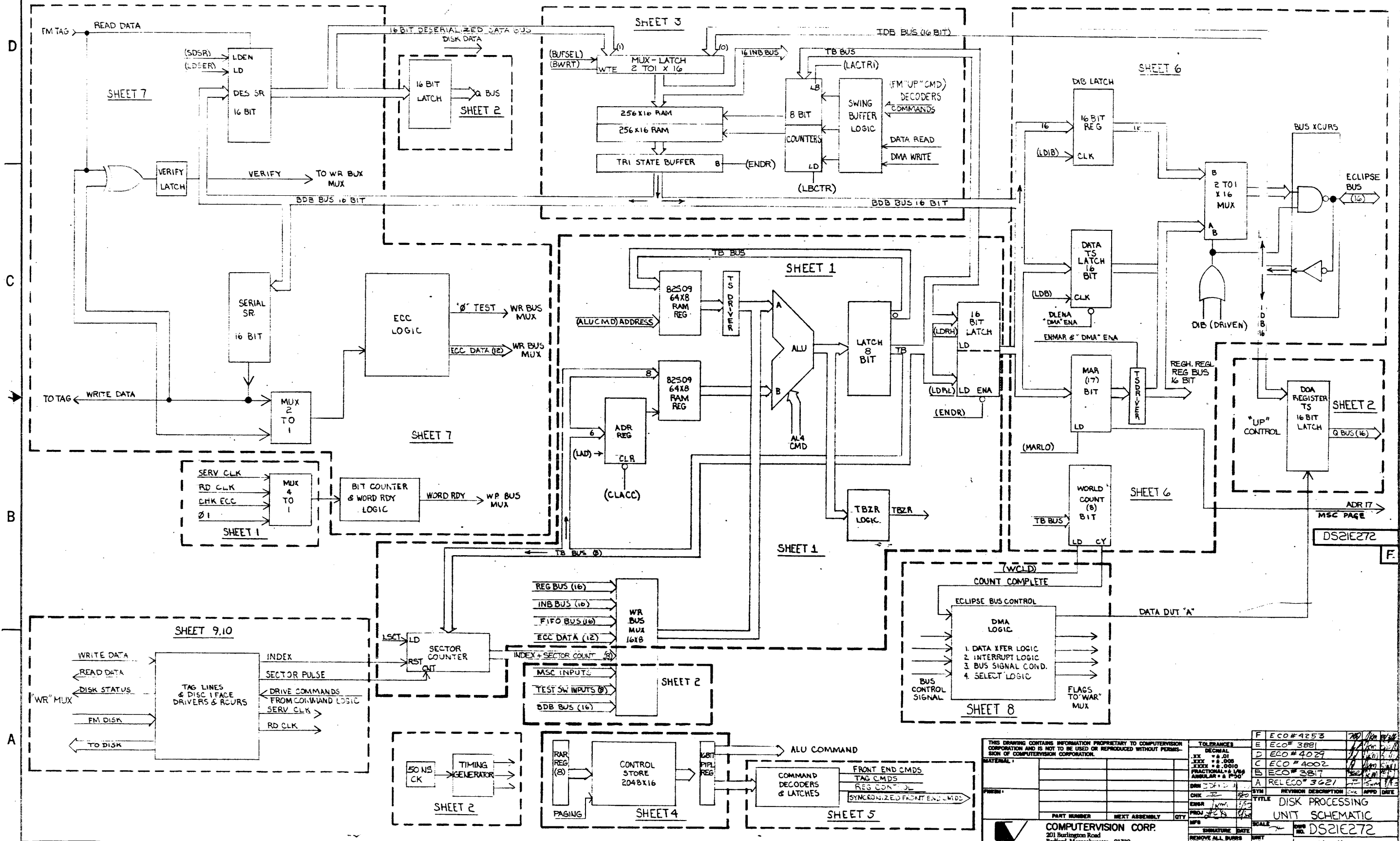
Logic Diagrams

COMPANY CONFIDENTIAL

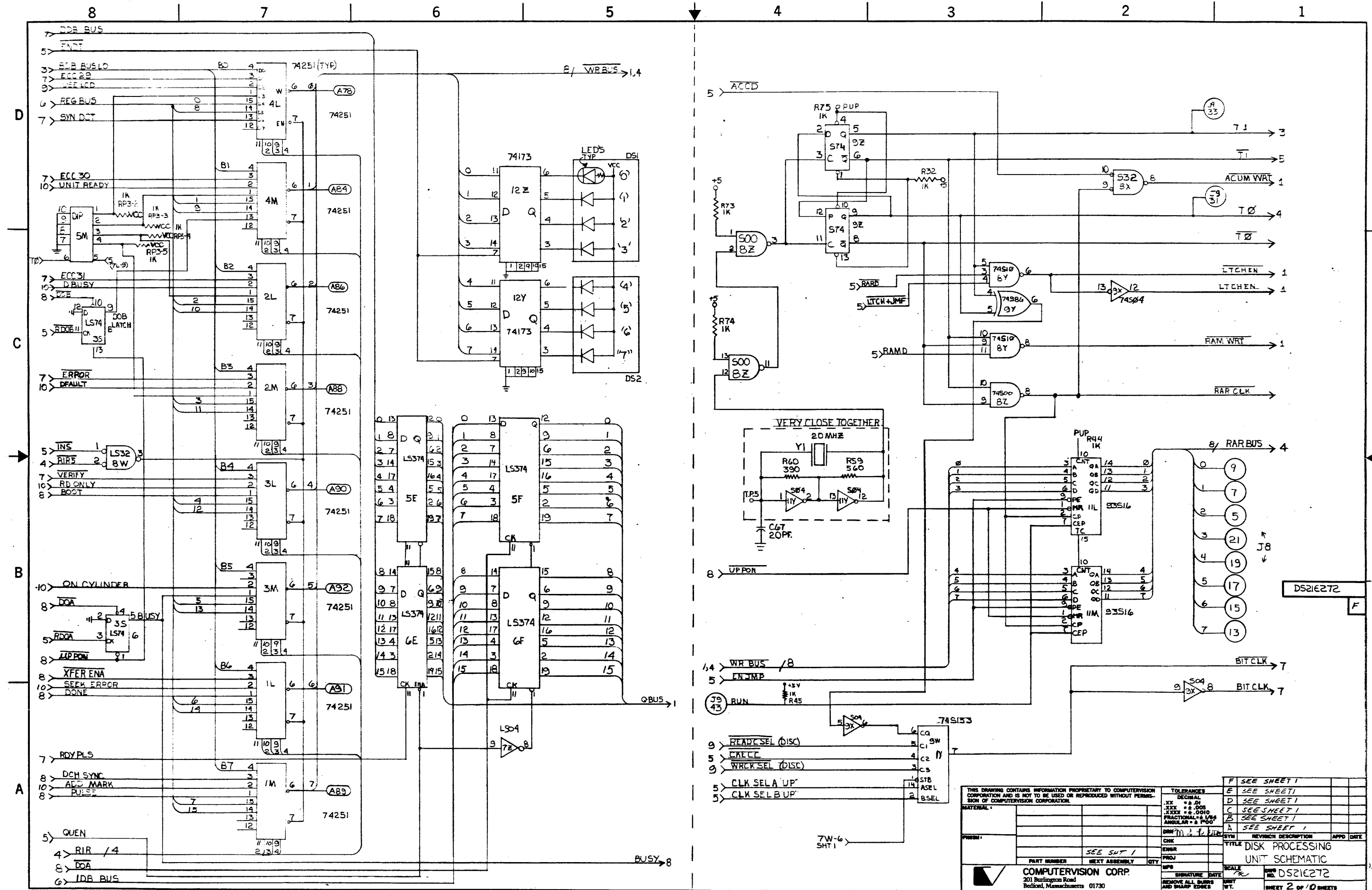
The information and drawings contained herein are confidential and proprietary information of Computervision Corporation and shall not be divulged to any third party without the prior written consent of Computervision Corporation.
Reproduction in whole or in part is forbidden.



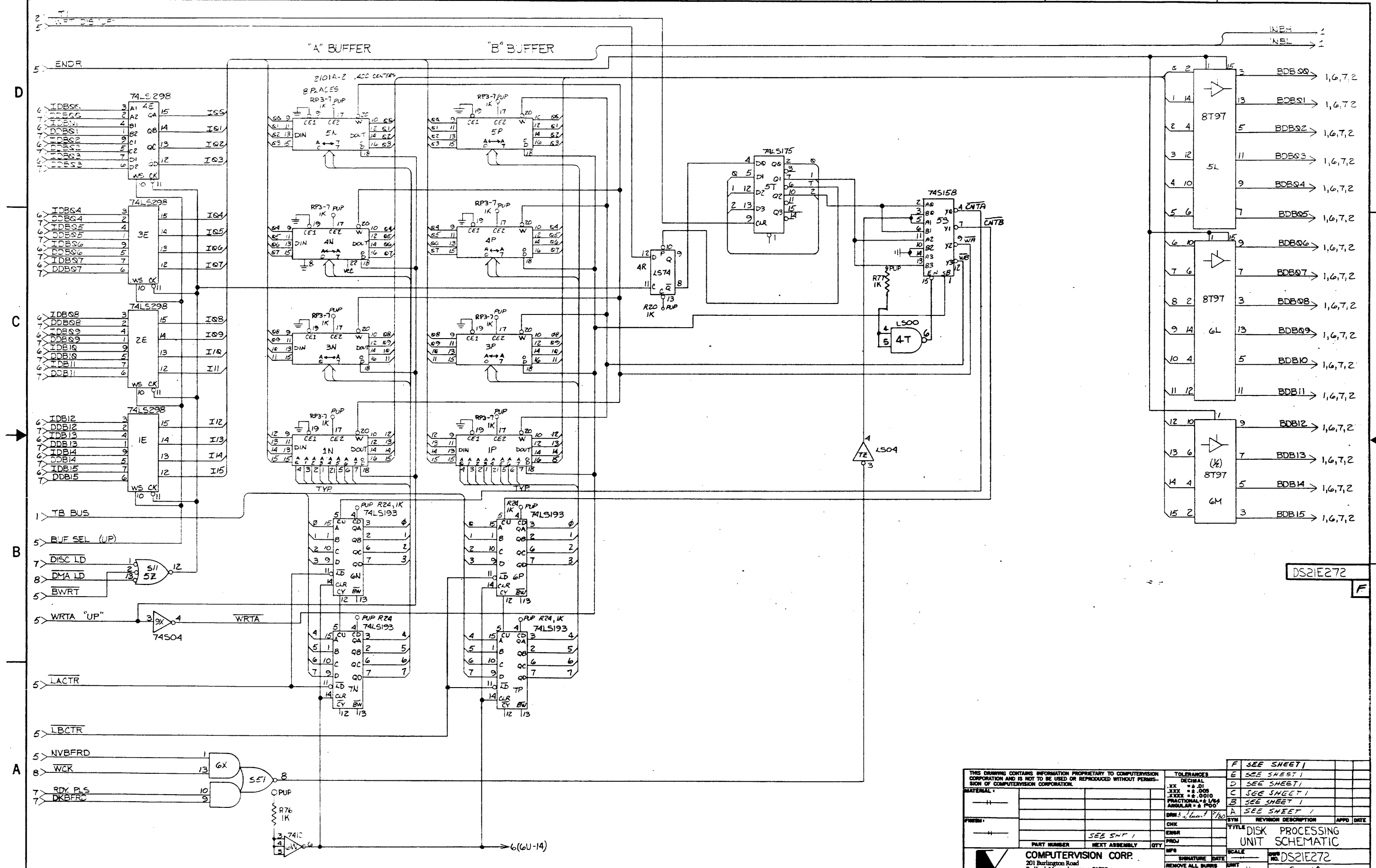
| | | | | | |
|---|--|---|--|--|--|
| THIS DRAWING CONTAINS INFORMATION PROPRIETARY TO COMPUTERVISION CORPORATION AND IS NOT TO BE USED OR REPRODUCED WITHOUT PERMISS- SION OF COMPUTERVISION CORPORATION. | | TOLERANCES DECIMAL -XX ±.01 -XXX ±.005 -XXXX ±.0010 FRACTIONAL ± 1/64 ANGULAR ± .5° | | F SEE SHEET 1A E SEE SHEET 1A D SEE SHEET 1A C SEE SHEET 1A B SEE SHEET 1A A SEE SHEET 1A | |
| MATERIAL | | DATE: 11/15/72 | | SYM REVISION DESCRIPTION | |
| FURNISH | | DWN: J.L. | | APPD DATE | |
| PART NUMBER: DS21E270 | | ENGR | | TITLE: DISK PROCESSING UNIT SCHEMATIC | |
| NEXT ASSEMBLY | | PROJ | | SCALE: 1X | |
| COMPUTERVISION CORP. 201 Burlington Road Bedford, Massachusetts 01730 | | MFG QTY | | DWN NO: DS21E272 | |
| SIGNATURE DATE | | REMOVE ALL DIMENSIONS AND SHARP EDGES | | SHEET 1 OF 10 SHEETS | |



| | | | |
|--|--|---|--|
| THIS DRAWING CONTAINS INFORMATION PROPRIETARY TO COMPUTERSERV CORPORATION AND IS NOT TO BE USED OR REPRODUCED WITHOUT PERMISSON OF COMPUTERSERV CORPORATION. | | TOLERANCES DECIMAL XX ± .01 XXX ± .005 FRACTIONAL ± 1/64 ANGULAR ± 1°30' | |
| F ECO# 4253 | | 780 / 1/28 / 1978 | |
| E ECO# 3881 | | 1/28 / 1/28 / 1978 | |
| D ECO# 4029 | | 1/28 / 1/28 / 1978 | |
| C ECO# 4002 | | 1/28 / 1/28 / 1978 | |
| B ECO# 3817 | | 1/28 / 1/28 / 1978 | |
| A RELECO# 3621 | | 1/28 / 1/28 / 1978 | |
| PART NUMBER | | NEXT ASSEMBLY QTY | |
| COMPUTERSERV CORP. 201 Burlington Road Bedford, Massachusetts 01730 | | SCALE DATE SIGNATURE REMOVE ALL DIMS AND SHARP EDGES | |
| TITLE DISK PROCESSING UNIT SCHEMATIC | | REV. NO. DS21E272 SHEET 1A OF 10 SHEETS | |



| | | | |
|---|--|---|---------------|
| THIS DRAWING CONTAINS INFORMATION PROPRIETARY TO COMPUTERVISION CORPORATION AND IS NOT TO BE USED OR REPRODUCED WITHOUT PERMISSION OF COMPUTERVISION CORPORATION. | | TOLERANCES DECIMAL .XX = ±.01 .XXX = ±.005 FRACTIONAL = ±.0005 ANGLES = ±.0001 | F SEE SHEET 1 |
| | | SCALE AS SHOWN | E SEE SHEET 1 |
| | | DATE SEE SHEET 1 | D SEE SHEET 1 |
| | | PROJ SEE SHEET 1 | C SEE SHEET 1 |
| | | APP'D SEE SHEET 1 | B SEE SHEET 1 |
| | | REVISED DESCRIPTION | A SEE SHEET 1 |
| | | DISK PROCESSING UNIT SCHEMATIC | |
| COMPUTERVISION CORP. 201 Burlington Road Bedford, Massachusetts 01730 | | SHEET NO. DS21E272 | |

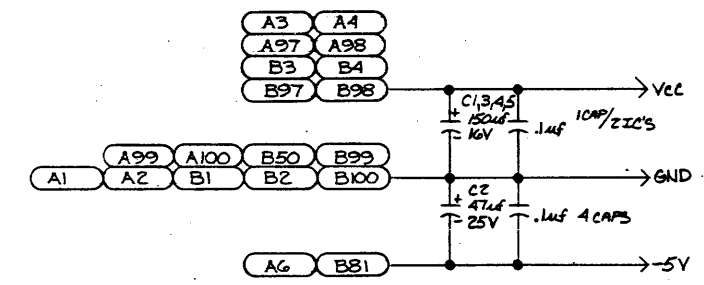
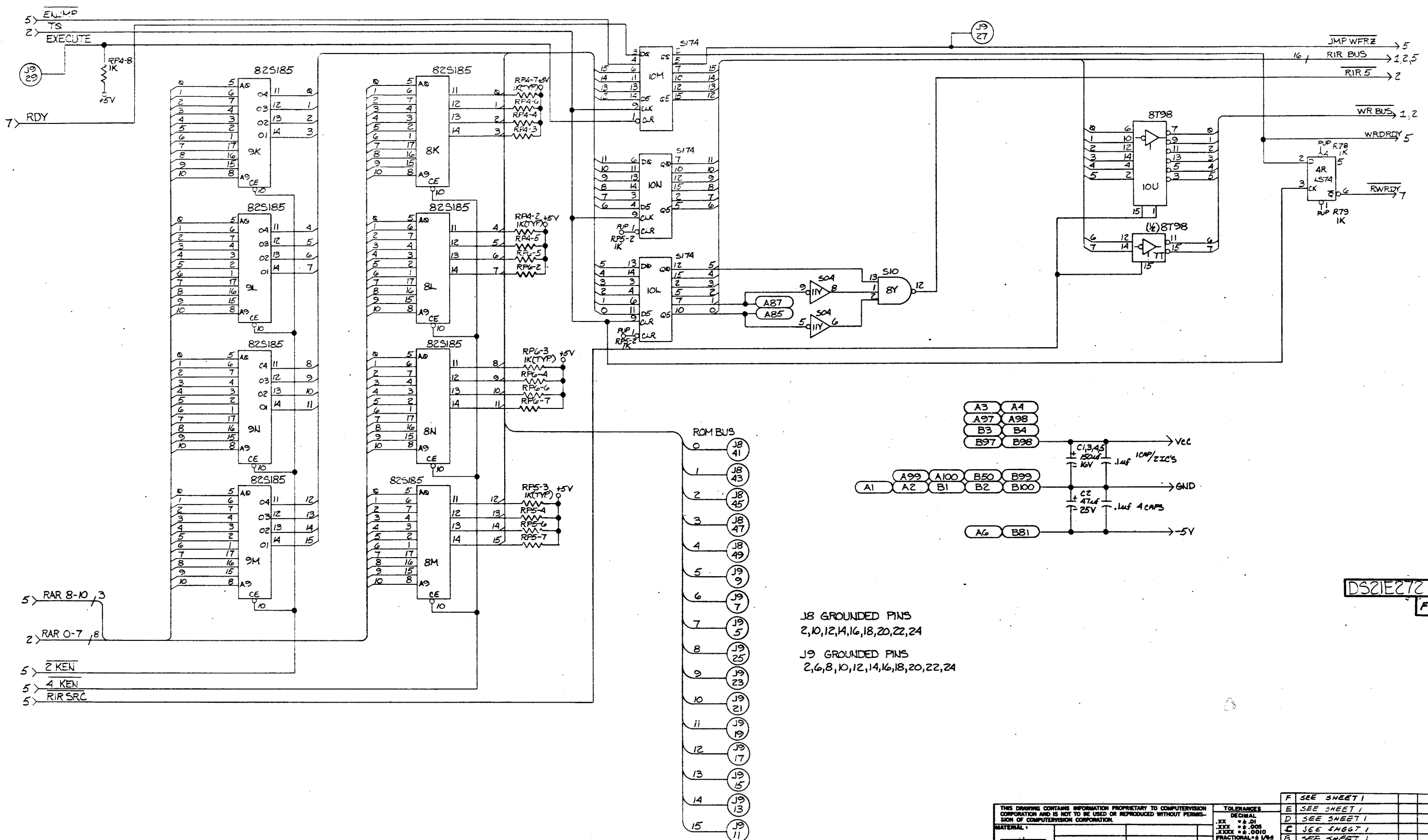


DS21E272
F

| | | | | | |
|---|--|---|--|---|--|
| THIS DRAWING CONTAINS INFORMATION PROPRIETARY TO COMPUTERVISION CORPORATION AND IS NOT TO BE USED OR REPRODUCED WITHOUT PERMISSION OF COMPUTERVISION CORPORATION. | | TOLERANCES DECIMAL .XX = ±.01 .XXX = ±.005 .XXXX = ±.0010 FRACTIONAL = ± 1/64 ANGULAR = ± 30° | | F SEE SHEET 1 | |
| MATERIAL: | | DMM: 1/16" ± .0005 | | E SEE SHEET 1 | |
| FINISH: | | CHK | | D SEE SHEET 1 | |
| DRAWN: [Signature] | | ENGR | | C SEE SHEET 1 | |
| PART NUMBER | | NEXT ASSEMBLY | | B SEE SHEET 1 | |
| QTY | | MFG | | A SEE SHEET 1 | |
| SCALE | | SIGNATURE DATE | | SYM REVISION DESCRIPTION | |
| COMPUTERVISION CORP. 201 Burlington Road Bedford, Massachusetts 01730 | | REMOVE ALL BURRS AND SHARP EDGES | | TITLE DISK PROCESSING UNIT SCHEMATIC | |
| NO. DS21E272 | | SHEET 3 OF 10 SHEETS | | APPD. DATE | |

8 7 6 5 4 3 2 1

D
C
B
A

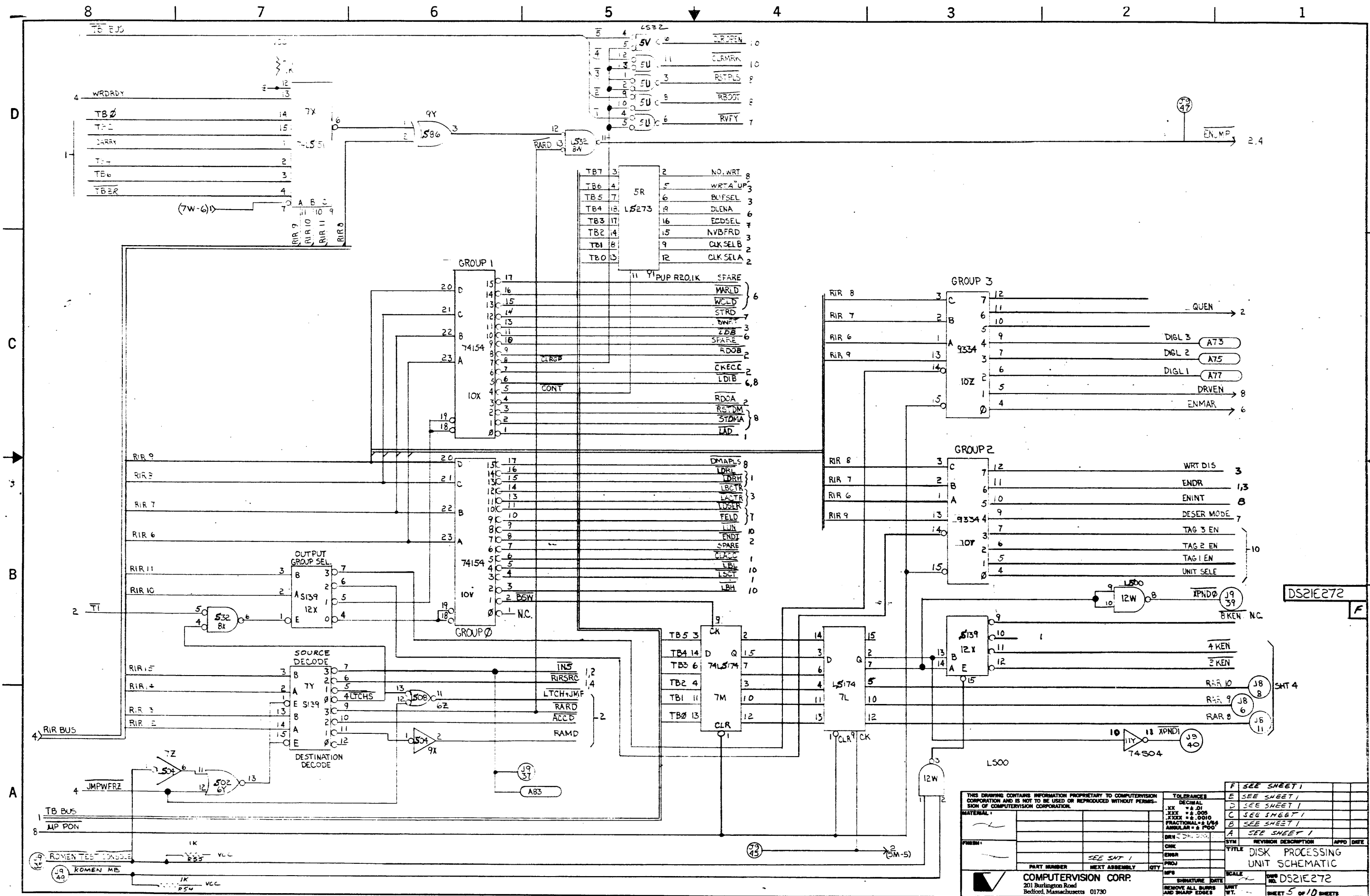


J8 GROUNDED PINS
2,10,12,14,16,18,20,22,24

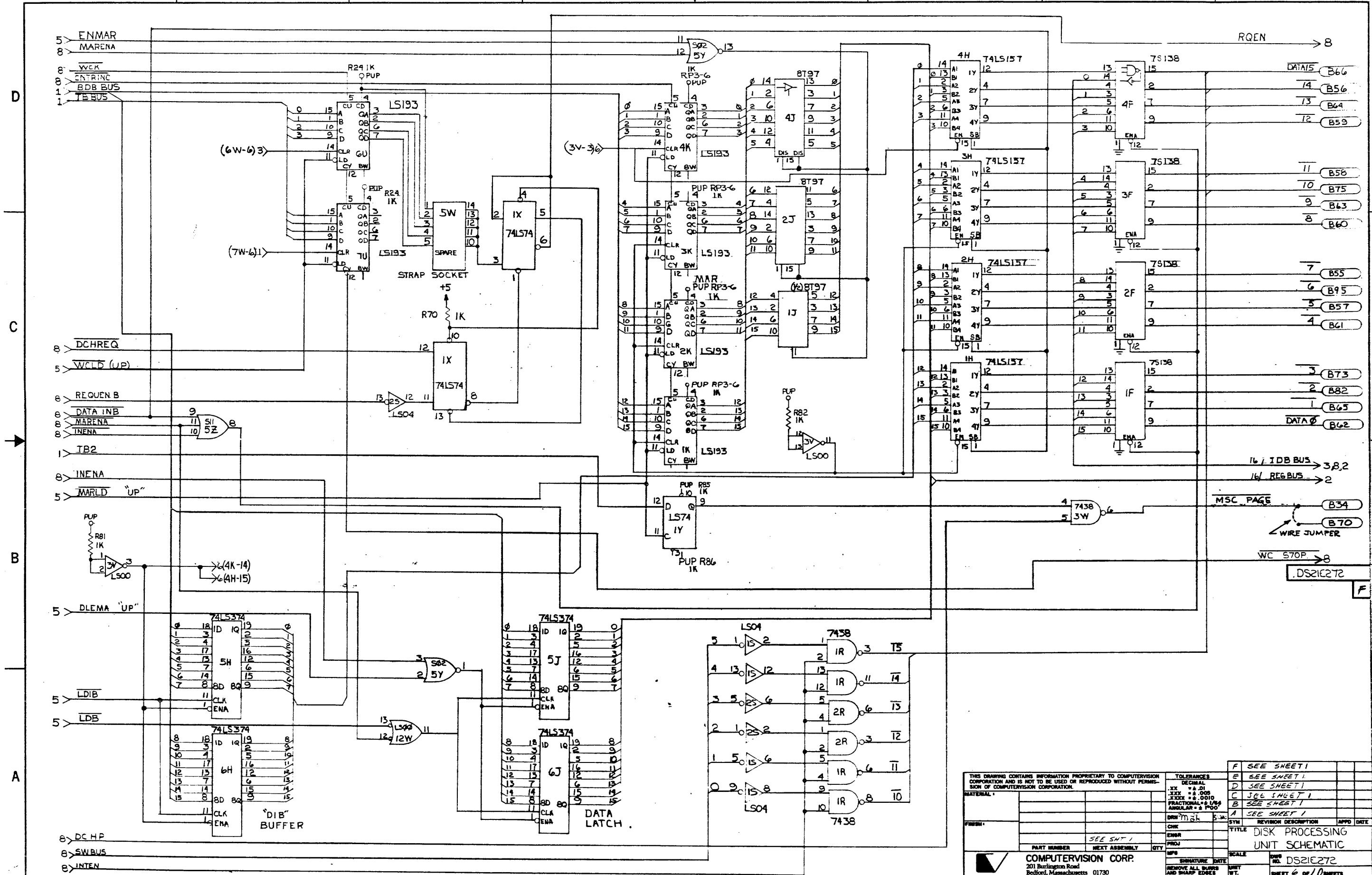
J9 GROUNDED PINS
2,6,8,10,12,14,16,18,20,22,24

DS21E272
F

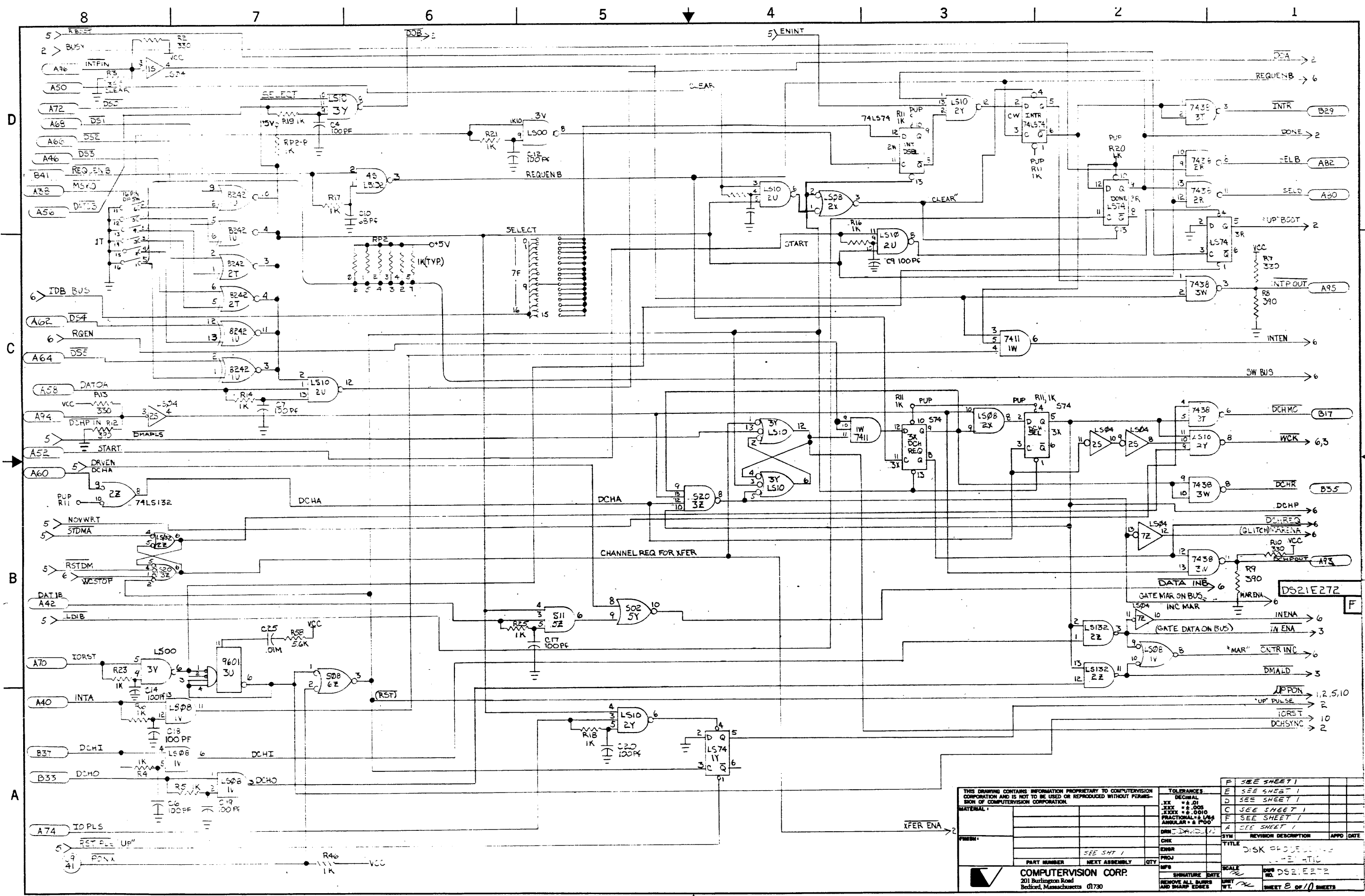
| | | | | | |
|--|--|--|--|--|--|
| THIS DRAWING CONTAINS INFORMATION PROPRIETARY TO COMPUTERSERVICES CORPORATION AND IS NOT TO BE USED OR REPRODUCED WITHOUT PERMISSON OF COMPUTERSERVICES CORPORATION. | | TOLERANCES DECIMAL .XX = ±.01 .XXX = ±.005 XXX = ±.0010 FRACTIONAL ±.005 ANGULAR = ±.000 | | F SEE SHEET 1 E SEE SHEET 1 D SEE SHEET 1 C SEE SHEET 1 B SEE SHEET 1 A SEE SHEET 1 | |
| MATERIAL | | CHK | | SYN | |
| FINISH | | ENGR | | TITLE | |
| PART NUMBER | | NEXT ASSEMBLY | | QTY | |
| COMPUTERSERVICES CORP. 201 Burlington Road Bedford, Massachusetts 01730 | | SIGNATURE | | DATE | |
| SCALE | | DWN NO. | | DWN DATE | |
| REMOVE ALL BURRS AND SHARP EDGES | | NET WT. | | SHEET 4 OF 10 SHEETS | |



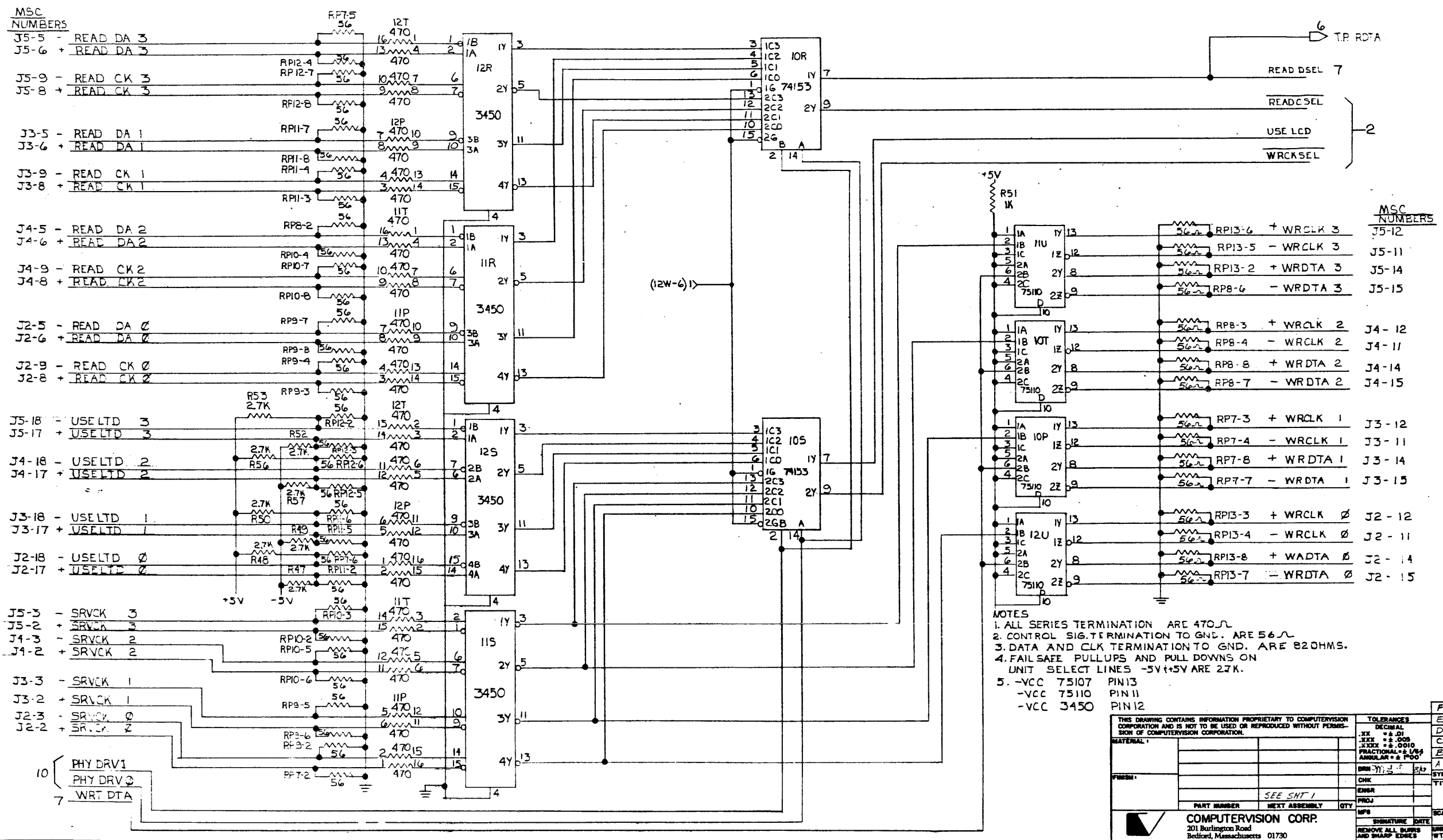
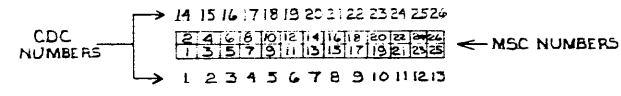
| | | | | | |
|---|--|---|------|--------------------------------|----------------------|
| THIS DRAWING CONTAINS INFORMATION PROPRIETARY TO COMPUTERVISION CORPORATION AND IS NOT TO BE USED OR REPRODUCED WITHOUT PERMISSION OF COMPUTERVISION CORPORATION. | | TOLERANCES DECIMAL XX ±.01 XXX ±.005 XXXX ±.0010 FRACTIONAL ±.0005 ANGULAR ±.0005 | | F SEE SHEET 1 | |
| | | | | E SEE SHEET 1 | |
| | | | | D SEE SHEET 1 | |
| | | | | C SEE SHEET 1 | |
| | | | | B SEE SHEET 1 | |
| | | | | A SEE SHEET 1 | |
| PART NUMBER | | SEE SHT 1 | CHK | SYM | REVISION DESCRIPTION |
| NEXT ASSEMBLY | | | ENGR | UNIT | APPRO DATE |
| QTY | | | PROJ | TITLE | |
| | | | | DISK PROCESSING UNIT SCHEMATIC | |
| COMPUTERVISION CORP. 201 Burlington Road Bedford, Massachusetts 01730 | | SCALE | DATE | DWG NO. DS21E272 | |
| REMOVE ALL BURRS AND SHARP EDGES | | UNIT WT. | | SHEET 5 OF 10 SHEETS | |



| | | | | | |
|---|--|---------------------------------|--|---------------------------------------|--|
| THIS DRAWING CONTAINS INFORMATION PROPRIETARY TO COMPUTERVISION CORPORATION AND IS NOT TO BE USED OR REPRODUCED WITHOUT PERMISSION OF COMPUTERVISION CORPORATION. | | TOLERANCES | | F SEE SHEET 1 | |
| | | DECIMAL | | E SEE SHEET 1 | |
| | | .XX = ±.01 | | D SEE SHEET 1 | |
| | | .XXX = ±.005 | | C SEE SHEET 1 | |
| | | FRACTIONAL = 1/32" | | B SEE SHEET 1 | |
| | | ANGULAR = 5 PWD | | A SEE SHEET 1 | |
| MATERIAL: | | DRW: mak | | SYN: REVISION DESCRIPTION | |
| FINISH: | | CHK: | | APPD DATE: | |
| PART NUMBER: SEE SH 1 | | ENBR: | | TITLE: DISK PROCESSING UNIT SCHEMATIC | |
| NEXT ASSEMBLY: | | PROJ: | | SCALE: | |
| QTY: | | MFG: | | DRAWN: DS21C272 | |
| COMPUTERVISION CORP. | | SIGNATURE DATE: | | PART WT.: | |
| 201 Burlington Road | | REMOVE ALL DIMS AND SHARP EDGES | | SHEET 6 OF 10 SHEETS | |
| Bedford, Massachusetts 01730 | | | | | |



| | | | | | |
|---|-----------|--|----------------------|--|-----------------------------|
| THIS DRAWING CONTAINS INFORMATION PROPRIETARY TO COMPUTERVERSION CORPORATION AND IS NOT TO BE USED OR REPRODUCED WITHOUT PERMISSION OF COMPUTERVERSION CORPORATION. | | TOLERANCES: DECIMAL .XX = ±.01 .XXX = ±.005 FRACTIONAL = US ANGULAR & HOLES | | F SEE SHEET 1 E SEE SHEET 1 D SEE SHEET 1 C SEE SHEET 1 F SEE SHEET 1 A SEE SHEET 1 | |
| MATERIAL: | | CHK: | | SYM: | REVISION DESCRIPTION |
| FRONT: | | ENGR: | | DATE: | |
| PART NUMBER: | SEE SHT 1 | PROJ: | | TITLE: | DISK PROCESSING -HEMATIC |
| NEXT ASSEMBLY: | | QTY: | | SCALE: | |
| COMPUTERVERSION CORP. 201 Burlington Road Bedford, Massachusetts 01730 | | | SHEET 8 OF 10 SHEETS | | |



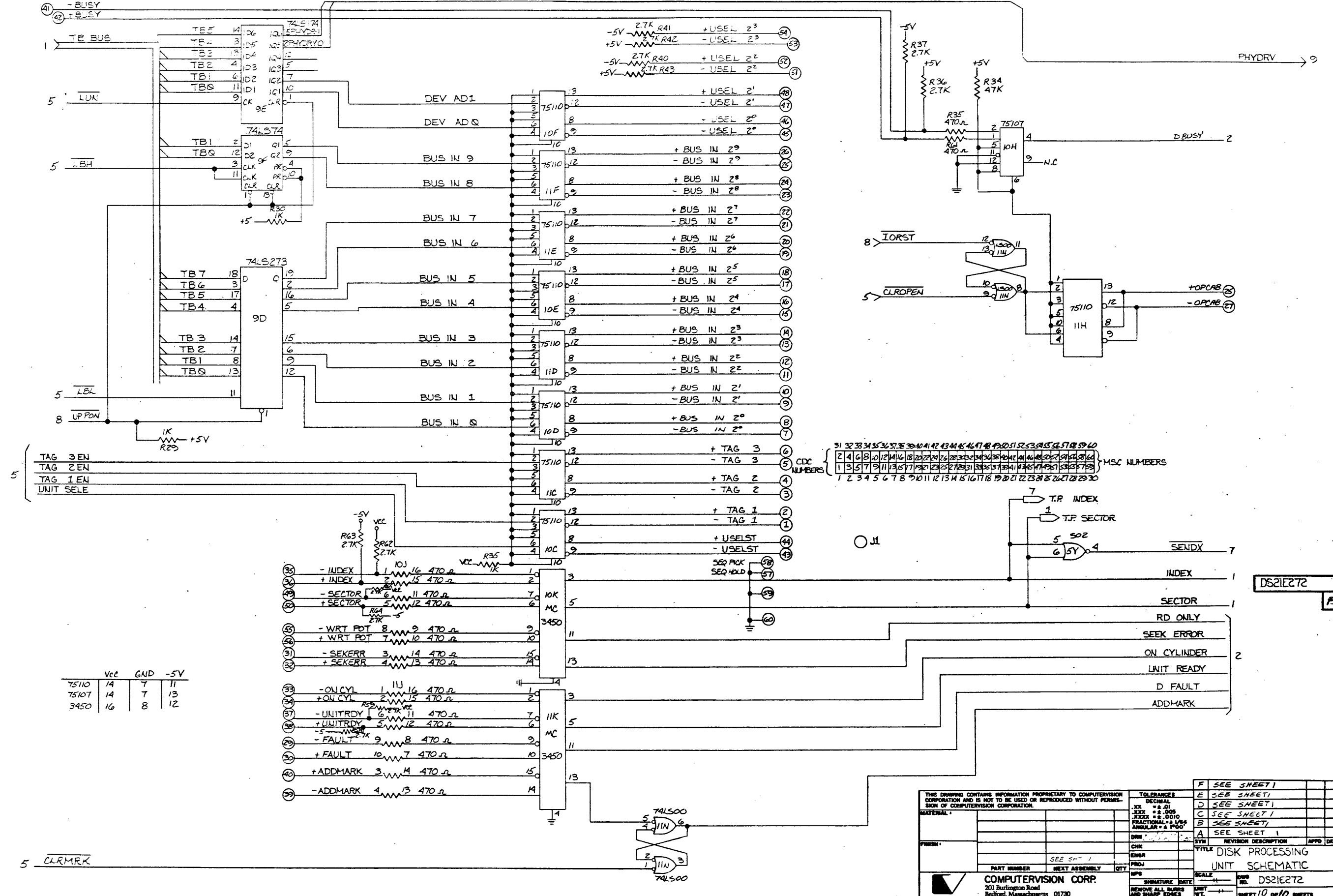
DS21E272
J2-J5
GROUNDED PINS
1,4,7,10,13,16,21,24

NOTES

- ALL SERIES TERMINATION ARE 470Ω
- CONTROL SIG. TERMINATION TO GND. ARE 56Ω
- DATA AND CLK TERMINATION TO GND. ARE 820ΩMS.
- FAILSAFE PULLUPS AND PULL DOWNS ON UNIT SELECT LINES -5V (+5V) ARE 27K.
- VCC 75107 PIN13
-VCC 75110 PIN11
-VCC 3450 PIN12

| | | | |
|---|--|-------------------|--------------------------|
| THIS DRAWING CONTAINS INFORMATION PROPRIETARY TO COMPUTERVISION CORPORATION AND IS NOT TO BE USED OR REPRODUCED WITHOUT PERMISSION OF COMPUTERVISION CORPORATION. | | TOLERANCES | |
| MATERIAL: | | DECIMAL | SEE SHEET 1 |
| FINISH: | | .XX ±.01 | E SEE SHEET 1 |
| PART NUMBER | | .XXX ±.005 | D SEE SHEET 1 |
| NEXT ASSEMBLY | | .XXXX ±.0010 | C SEE SHEET 1 |
| QTY | | FRACTIONAL ±.0005 | B SEE SHEET 1 |
| DATE | | ANGULAR ±.0005 | A SEE SHEET 1 |
| SIGNATURE | | DATE | SYM REVISION DESCRIPTION |
| SCALE | | DATE | TITLE DISK PROCESSING |
| REMOVE ALL SHARP AND SHARP EDGES | | DATE | UNIT SCHEMATIC |
| COMPUTERVISION CORP. 201 Burlington Road Bedford, Massachusetts 01730 | | DATE | APP'D DSC21E272 |
| SHEET 9 OF 10 SHEETS | | DATE | |

D
C
B
A



| | Vcc | GND | -5V |
|-------|-----|-----|-----|
| 75110 | 14 | 7 | 11 |
| 75107 | 14 | 7 | 13 |
| 3450 | 16 | 8 | 12 |

MSC NUMBERS

| | | | | | | | | | | | | | | | | | | | | | | | | | | | | | |
|----|----|----|----|----|----|----|----|----|----|----|----|----|----|----|----|----|----|----|----|----|----|----|----|----|----|----|----|----|----|
| 31 | 32 | 33 | 34 | 35 | 36 | 37 | 38 | 39 | 40 | 41 | 42 | 43 | 44 | 45 | 46 | 47 | 48 | 49 | 50 | 51 | 52 | 53 | 54 | 55 | 56 | 57 | 58 | 59 | 60 |
| 2 | 4 | 6 | 8 | 10 | 12 | 14 | 16 | 18 | 20 | 22 | 24 | 26 | 28 | 30 | 32 | 34 | 36 | 38 | 40 | 42 | 44 | 46 | 48 | 50 | 52 | 54 | 56 | 58 | 60 |
| 1 | 3 | 5 | 7 | 9 | 11 | 13 | 15 | 17 | 19 | 21 | 23 | 25 | 27 | 29 | 31 | 33 | 35 | 37 | 39 | 41 | 43 | 45 | 47 | 49 | 51 | 53 | 55 | 57 | 59 |
| 1 | 2 | 3 | 4 | 5 | 6 | 7 | 8 | 9 | 10 | 11 | 12 | 13 | 14 | 15 | 16 | 17 | 18 | 19 | 20 | 21 | 22 | 23 | 24 | 25 | 26 | 27 | 28 | 29 | 30 |

5 CLRMRK

DS21E272

THIS DRAWING CONTAINS INFORMATION PROPRIETARY TO COMPUTERVERSION CORPORATION AND IS NOT TO BE USED OR REPRODUCED WITHOUT PERMISSION OF COMPUTERVERSION CORPORATION.

| | | | |
|-------------------|---------|---|-------------|
| TOLERANCES | DECIMAL | F | SEE SHEET 1 |
| .XX | = .01 | E | SEE SHEET 1 |
| .XXX | = .005 | D | SEE SHEET 1 |
| .XXXX | = .0010 | C | SEE SHEET 1 |
| FRACTIONAL * 1/8" | | B | SEE SHEET 1 |
| ANGULAR * 1/16" | | A | SEE SHEET 1 |

| | | | | |
|------|-----|----|------|------|
| DATE | REV | BY | APPD | DATE |
| | | | | |

TITLE DISK PROCESSING UNIT SCHEMATIC

PART NUMBER NEXT ASSEMBLY QTY

COMPUTERVERSION CORP.
201 Burlington Road
Bedford, Massachusetts 01730

SCALE 1:1

SHEET 10 OF 10 SHEETS

REMARKS FORM

Your comments and suggestions will help us in our continuous effort to improve the quality and usefulness of our publications. All comments and suggestions become the property of Computervision.

TITLE: _____

Order No.: _____

TECHNICAL or EDITORIAL ERRORS (include page number):

SUGGESTIONS FOR IMPROVEMENT:

FROM:
(Please print)

NAME: _____ DATE _____

TITLE: _____

COMPANY NAME _____

ADDRESS _____

CITY _____ STATE _____ ZIP _____

Please cut along this line

