

REV. NO.	DESCRIPTION	DATE	APPROV.
A	PRE-PROD EAM10-6	15-03-64	...
D	SEE ECN NO. 10196	10-18-64	...
E	SEE ECN NO. 10203	7-11-64	...
D	SEE ECN NO. 10272	9-25-64	...
E	SEE ECN NO. 10244	1-14-65	...



TABLE III (U)

INTEGRATED CIRCUIT		VOLTAGE PINS					
TYPE	REFERENCE CIRCUIT	+5V	-5V	+12V	-12V	DGND	ASND
74LS123	222	16				8	
7409	22, 240	16				7	
7407	214	14				7	
7428	23	14				7	
75452	237	8					4
26LS31	27	15				8	
26LS32	23	16				8	
74LS107	224	14				7	
74LS393	230, 231	14				7	
74LS00	219	14				7	
74LS02	24, 223	14				7	
74LS04	210	14				7	
74LS08	25, 211	14				7	
74LS32	229	14				7	
74555	232	14				7	
74574	233	14				7	
DG211	217, 227, 229	12		13	4	5	
LM339	236	5				12	
LF412	21, 215, 216, 225, 226, 228			8	4		
MS92	213, 214	10	5				
7524	212	14				5	
BT20	241	16				8	
2T52	220	24				12, 18	
74LS373	23	20				1, 10	
6522	219	20				1	
6603	221	7, 21				1	
7445	235, 236	16				8	

TABLE II (U)

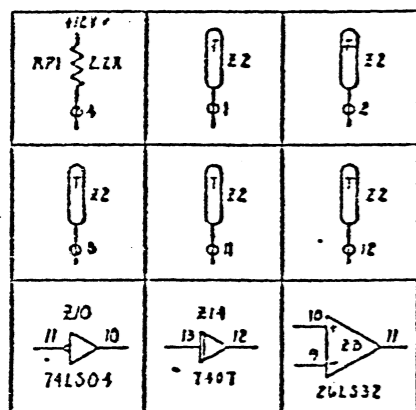


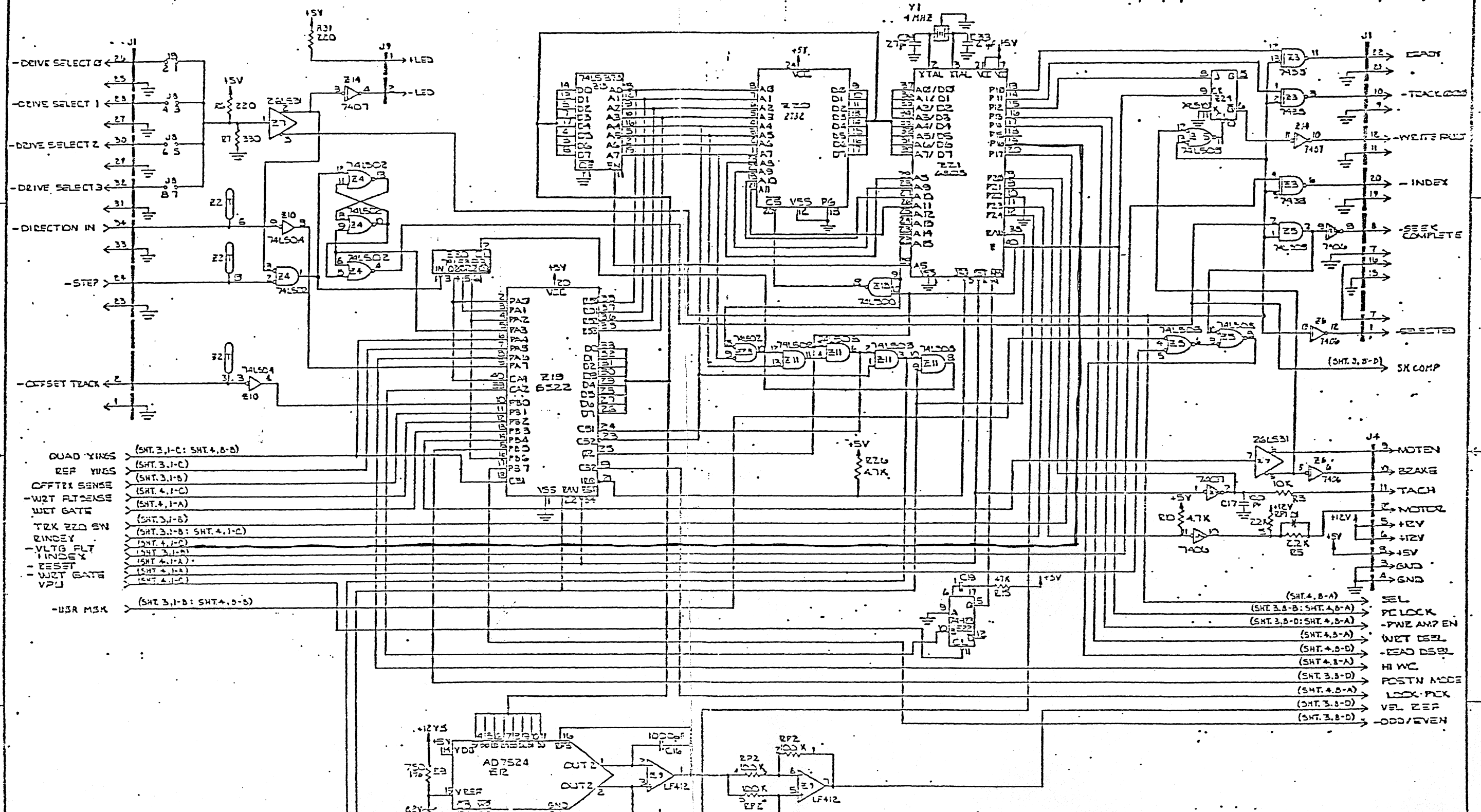
TABLE I (I)

ITEM NO	REF DESIGNATION	CMI PART NO	DESCRIPTION	CMI PART NO	DESCRIPTION

- (U) FOR CHIP VOLTAGE PIN-OUT, SEE TABLE III.
- (D) DENOTES DIGITAL GND; (A) DENOTES ANALOG GND.
- (U) FOR SPARE CIRCUIT ELEMENTS SEE TABLE I.
- (D) CAPACITOR VALUES GREATER THAN OR EQUAL TO 1 μF ARE IN MICROFARADS - 20%, ±5%, 50V OR GREATER.
- (Z) CAPACITOR VALUES LESS THAN 10,000 pF ARE IN PICOFARADS ±5%, 50V OR GREATER.
- (R) RESISTORS ARE IN OHMS, ±5%, 1/4 W.
- (S) RESISTORS DESIGNATED BY AT ARE IN OHMS ±2%.
- (1) PNP TRANSISTORS ARE 2N2901.
- (3) NPN TRANSISTORS ARE 2N4123.
- (Z) DIODES ARE 1N4148 OR 1N914.
- (I) FOR VALUE, PART NUMBER AND USAGE OF CIRCUIT ELEMENTS AFFECTED BY VERSION NUMBER SEE TABLE I.

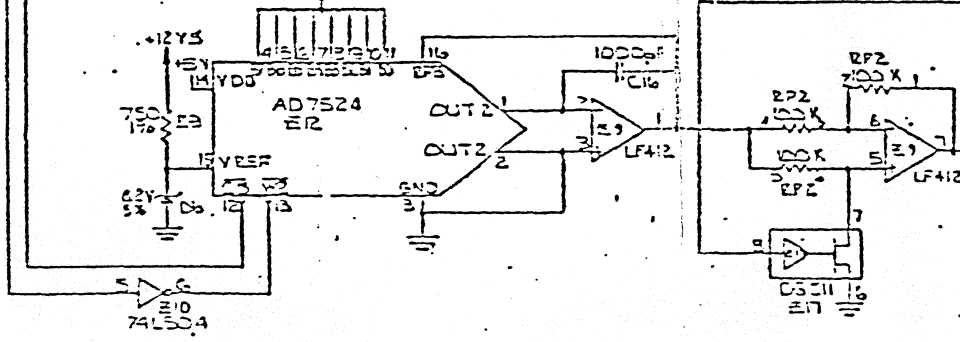
NOTE: UNLESS OTHERWISE SPECIFIED

100079 000000 MET APT MED CB APPLICATION DO NOT SCALE DRAWING	UNLESS OTHERWISE SPECIFIED DIMENSIONS ARE IN INCHES FRACTIONS DECIMALS MILLIMETERS	REMOVE SURFS AND SHAAP EDGES, ALL DIMENSIONS ON DIMENSION LINES TO BE COORDINATING WITH JOB	COMPUTER MEMORIES, INC.	
	APPROVALS: [Signature] DATE: 11-21-64	SCHEMATIC, 40MS HIGH COERCIVITY VERSION 4		
	DRAWN: [Signature] CHECKED: [Signature]	100073 E	(60502)	
	SCALE: 1:1			

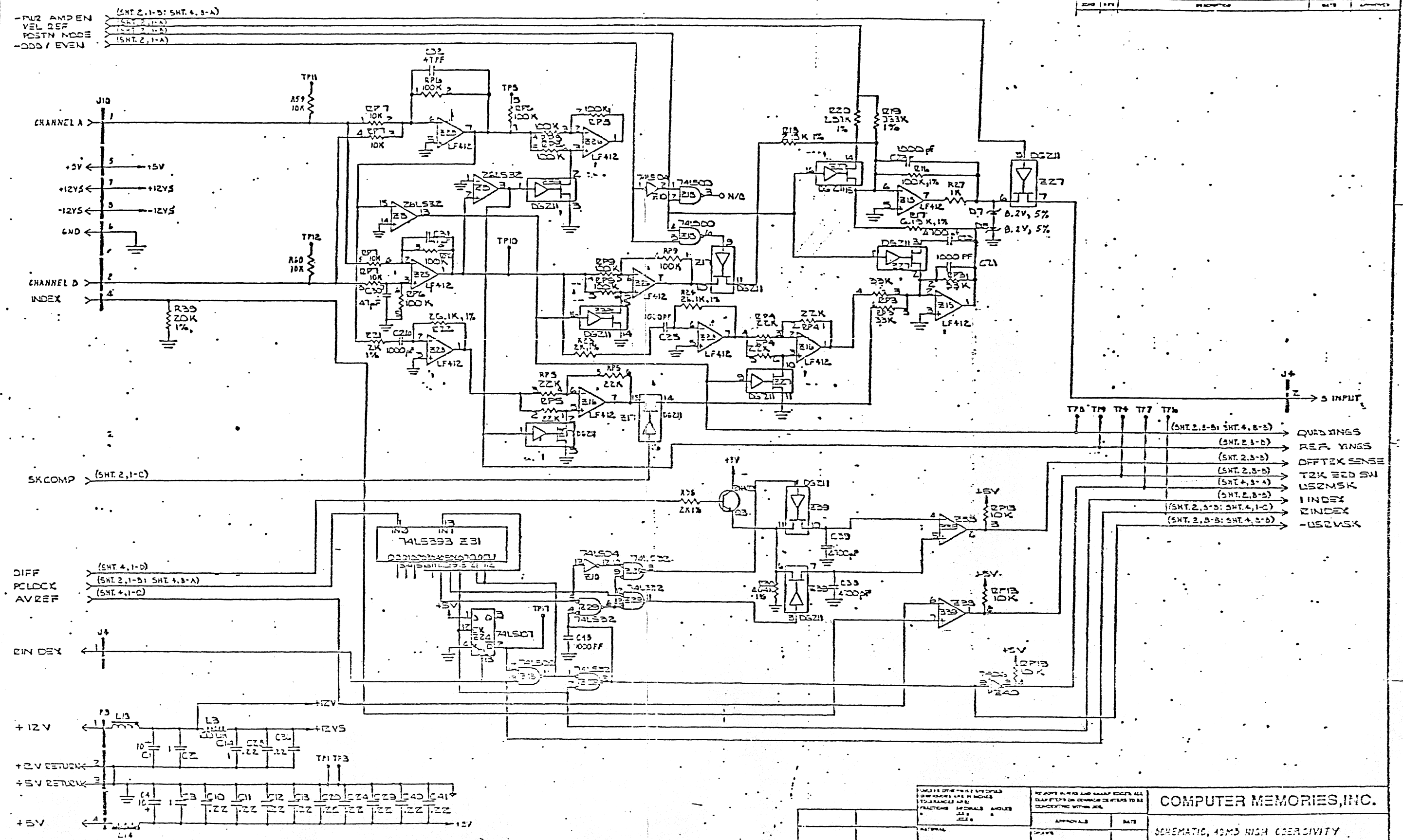


- QUAD YINCS (SHT. 3, I-C; SHT. 4, B-D)
- REF YINCS (SHT. 3, I-C)
- OFFTRX SENSE (SHT. 3, I-B)
- WRT FLT SENSE (SHT. 4, I-C)
- WRT GATE (SHT. 4, I-A)
- TRX ZED SW (SHT. 3, I-B)
- RINDEY (SHT. 4, I-C)
- VLTG FLT (SHT. 3, I-A)
- INDEX (SHT. 4, I-A)
- RESET (SHT. 4, I-A)
- WRT GATE (SHT. 4, I-A)
- VPU (SHT. 4, I-C)
- USA M3X (SHT. 3, I-B; SHT. 4, B-D)

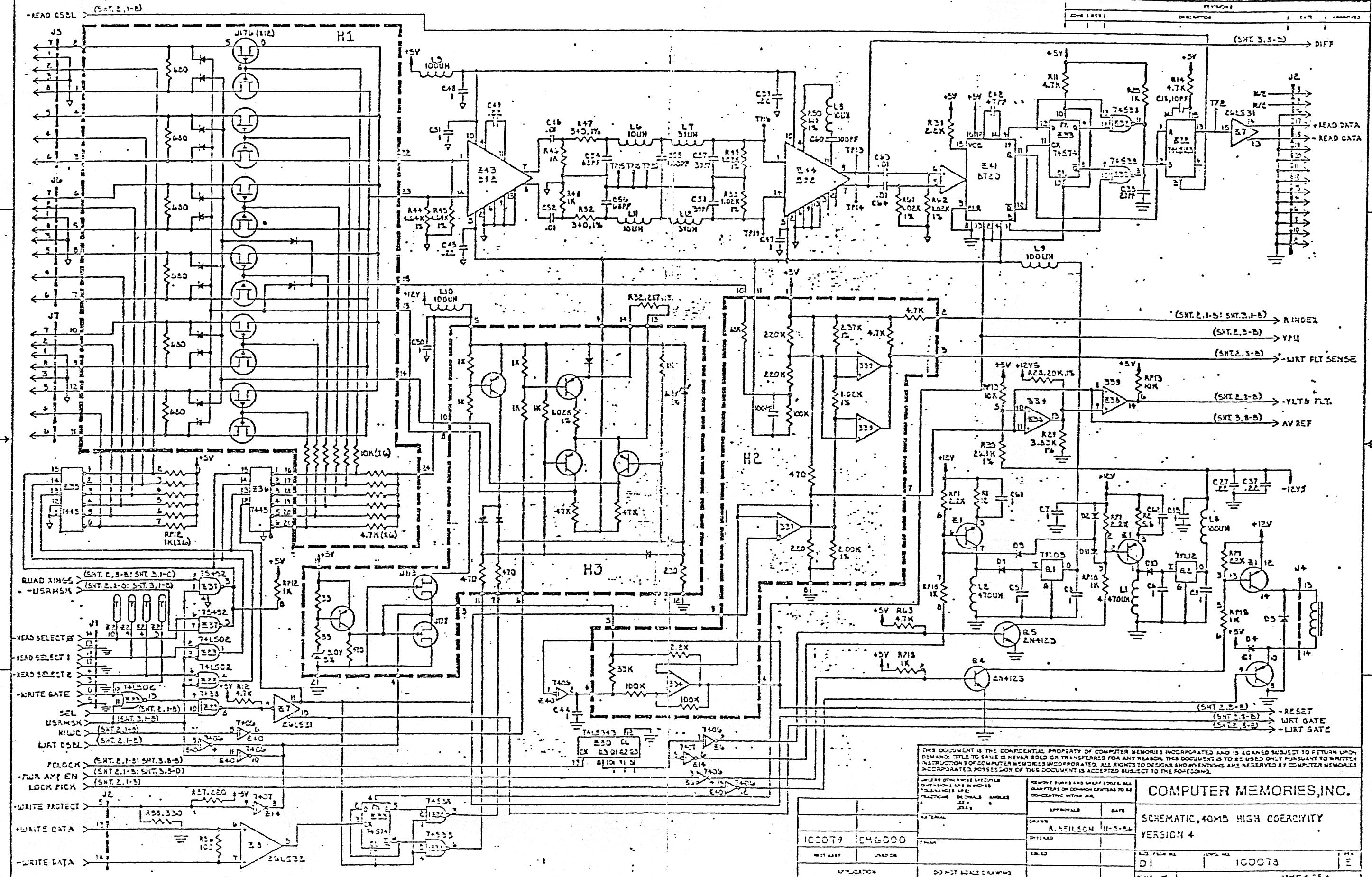
- J1 12 → LEAD
- J1 10 → TRACK LOSS
- J1 11 → WRITE PUL
- J1 20 → INDEX
- J1 8 → SEEK COMPLETE
- J1 7 → SELECTED
- (SHT. 3, B-D) SK COMP
- J4 1 → MOTEN
- J4 2 → BRAKE
- J4 3 → TACH
- J4 4 → MOTOR
- J4 5 → +12V
- J4 6 → +12V
- J4 7 → +5V
- J4 8 → GND
- (SHT. 4, B-A) SEL
- (SHT. 3, B-B; SHT. 4, B-A) PE LOCK
- (SHT. 3, B-D; SHT. 4, B-A) -PWR AMP EN
- (SHT. 4, B-A) WRT GSEL
- (SHT. 4, B-D) LEAD DSEL
- (SHT. 4, B-A) HI WC
- (SHT. 3, B-D) POSTN MODE
- (SHT. 4, B-A) LOCK-POK
- (SHT. 3, B-D) VEL ZEP
- (SHT. 3, B-D) ODD/EVEN



100079		CM-000		COMPUTER MEMORIES, INC.	
DATE	REV	DATE	REV	DATE	REV
11-24-84	1	11-24-84	1	11-24-84	1
100079		CM-000		SCHEMATIC, 40 MB HIGH COERCIVITY	
NEXT ASSY		USED ON		VERSION 4.	
APPLICATION		DO NOT SCALE DRAWING		100078	
				INSET 2 OF 4	



100070		100070		<p>COMPUTER MEMORIES, INC.</p> <p>SCHEMATIC, 4MSD HIGH COERCIVITY VERSION 4</p> <p>100070</p>	
DATE	REV	APPROVALS	DATE	SCALE	SHEET 3 OF 4
100070	000000			D	
APPLICATION	DO NOT SCALE DRAWING				



THIS DOCUMENT IS THE CONFIDENTIAL PROPERTY OF COMPUTER MEMORIES INCORPORATED AND IS LOANED SUBJECT TO RETURN UPON DEMAND. TITLE TO SAME IS NEVER SOLD OR TRANSFERRED FOR ANY REASON. THIS DOCUMENT IS TO BE USED ONLY PURSUANT TO WRITTEN INSTRUCTIONS OF COMPUTER MEMORIES INCORPORATED. ALL RIGHTS TO DESIGNS AND INVENTIONS ARE RESERVED BY COMPUTER MEMORIES INCORPORATED. POSSESSION OF THIS DOCUMENT IS ACCEPTED SUBJECT TO THE FOREGOING.

COMPUTER MEMORIES, INC.

SCHEMATIC, 40MB HIGH COERCIVITY
VERSION 4

100073

DATE	11-5-64
APPROVED	A. NEILSON
DRAWN	
CHECKED	
ENGR.	
DATE	
MATERIAL	
100073	100073
ISS. DATE	
USED ON	
APPLICATION	

D

C

B

A