

2019 south ritchey street - santa ana, california 92705 - (714) 558-8211

CAL DATA I MACROPANEL
(P/N C81080310)

DRAWING PACKAGE
C21518027-X3



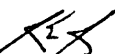

DOCUMENT C21518027
Revision X3
January 1975

Cal Data, MACROBUS, QUADBOARD and HEXBOARD are trademarks of California Data Processors.

The information herein is the property of California Data Processors. Transmittal, receipt or possession of the information does not express, license or imply any rights to use, sell or manufacture from this information and no reproduction or publication of it, in whole or in part shall be made without written authorization from an officer of the above firm.



REVISIONS

<u>Revision</u>	<u>Date</u>	<u>Approval</u>	<u>Description</u>
X0	5-74		Preliminary edition
X1	8-74		Release edition. Title change from CDP-XI Macropanel to Cal Data Macropanel.
X2	10-74		Added introduction material, Theory of Operation and proprietary notice.
X3	1-75		Title change from Cal Data Macropanel to Cal Data 1 Macropanel. Removed Theory of Operation from package.

INTRODUCTION

This volume contains engineering drawings for the Cal Data 1 Macropanel, part number C81080310.

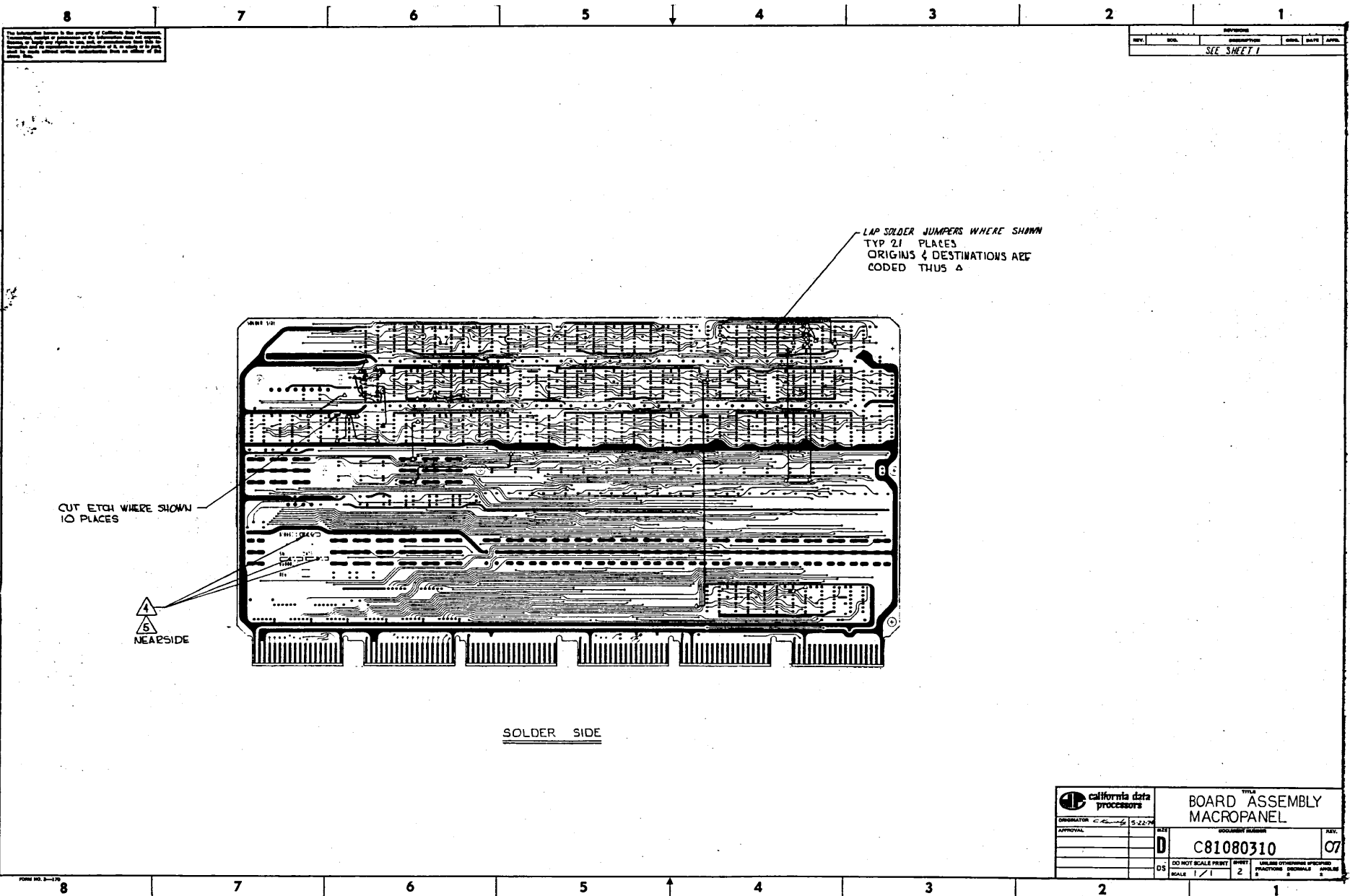
Table 1 lists the engineering drawings contained in this document. Material parts lists are included with each assembly drawing.

Components are identified, where applicable, by both the suggested manufacturer's part number and the Cal Data part number. In general, commercially available parts conform to specifications published by the manufacturer; however, Cal Data component specifications dictate the performance of all component parts used.

Schematics use industry standard designations where applicable (e.g., 7401, 2N5768). These designations are for convenience only and do not necessarily imply that these specific parts are used. The parts lists contain the accurate identification of individual parts.

Table 1. Drawings in this Document

Number	Title
C81080310	Board Assembly, Cal Data 1 Macropanel
C21080310	Board Schematic, Cal Data 1 Macropanel
C85300207	Cable Assembly, Macropanel



This drawing is the property of California Data Processors and is not to be reproduced, stored in a retrieval system, or transmitted in any form or by any means, electronic, mechanical, photocopying, recording, or by any information storage and retrieval system, without the prior written permission of California Data Processors, Inc.

REVISIONS					
REV.	NO.	DESCRIPTION	DATE	BY	APP.
SEE SHEET 1					

LAP SOLDER JUMPERS WHERE SHOWN
TYP 21 PLACES
ORIGINS & DESTINATIONS ARE
CODED THUS Δ

CUT ETCH WHERE SHOWN
10 PLACES


NEAR SIDE

SOLDER SIDE

 california data processors	TITLE BOARD ASSEMBLY MACROPANEL		REV. 07
	OPERATOR: [signature]	DATE: 5-22-78	
APPROVAL:	REV: D	DO NOT SCALE PRINT: DS	NUMBER OTHER SHEETS SPECIFIED: 2
SCALE: 1/1	SHEET: 2	FACTORIES: 2, 3, 4, 5, 6, 7, 8	

LIST OF MATERIALS


ITEM NO.	QTY. REQD.	REFERENCE DESIGNATION	PART NUMBER	DESCRIPTION	NOTES	VENDOR	VENDOR PART NUMBER
1	1		C56080310	PWB, MACROPANEL			
2							
3	10	U1, 14, 15, U16, 32, 35, U36, 52, 53, U64	C51322000	1.C QUAD 2 NAND		TEX. INST.	SN7400N-00
4	1	U3	C51322002	QUAD 2 NOR			SN7402N-00
5	7	U6, 8, 10, U12, 18, 31, U51	C51322004	HEX INV			SN7404N-00
6	3	U9, 58, 65	C51322008	QUAD 2 AND			SN7408N-00
7	4	U2, 17, 33, U34	C51322010	TRIPLE 3 NAND			SN7410N-00
8	1	U56	C51322011	TRIPLE 3 AND			SN7411N-00
9	1	U55	C51322020	DUAL 4 NAND			SN7420N-00
10	9	U7, 41, 44, U47, 50, 54, U60, 62, 66	C51322038	QUAD 2 NAND W/OC			SN7438N-00
11	3	U38, 59, 63	C51322074	DUAL D FLIP-FLOP			SN7474N-00
12	1	U61	C51322121	MONO MULTVBTR			SN74121N-00
13	1	U37	C51322123	DUAL RETRIG MONO MULTVBTR			SN74123N-00
14	1	U4	C51324133	13 IN NAND			SN74S133N-00
15	1	U5	C51322042	BCD TO DEC DECODER			SN7442N-00
16	8	U20, 23, 26, U29, 40, 43, U45, 49	C51322157	QUAD 2 TO 1 DATA SEL MUX			SN74157N-00
17	4	U39, 42, 45, U48	C51322175	QUAD D FLIP-FLOP		TEX. INST.	SN74175N-00
18	11	U11, 13, 19, U21, 22, 24, U25, 27, 28, U30, 57	C51388390	I.C. QUAD 2 BUS RECEIVER		SIGNETICS	8T380
19							
20	51	C6, 7, 12, C20 THRU 23, C25 THRU 30, C32, 35 THRU C71	C52252500	CAPACITOR, .01 uf, 100 V		SPRAGUE	C0238101F103M
21	5	C9, 16, 17, C18, 19	C52326001	4.7 uf, 20 V		CORNING	CCD-020-475-20
22	1	C13	C52326000	3.3 uf, 10 V		CORNING	CCT-010-335-20
23	3	C1, 2, 3	C52213450	.001 uf, 100 V		CDE	CD15FA102J03
24	1	C14	C52212648	68 pf, 2% 300 V		CDE	CD510ED680G03
25	3	C15, 4, 5	C52211672	220 pf, 2% 100 V		CDE	CD51CFD221G03
26	3	C10, 11, 3	C52213385	CAPACITOR, 470 pf, 5% 500 V		CDE	CD15FD471J03
27							
28							
29							
30	2	R10, R79	C54400073	RESISTOR, 22n, 1/4 W, 5%		STACKPOLE	RC07GF220J
31	2	R24, 85	C54400081	RESISTOR, 47n, 1/4 W, 5%		STACKPOLE	RC07GF470J

FORM NO. 3-172	ORIGINATOR <i>R. McDonald</i>	<i>230, 6, 27</i>	 california data processors	TITLE BOARD ASSEMBLY, CAL DATA MACROPANEL		
	APPROVAL <i>R. McDonald</i>	<i>7-24-74</i>		SIZE B	DOCUMENT NUMBER C81080310	REV. 07
	<i>R. McDonald</i>	<i>7-25-74</i>		DS	SHEET 3 OF 4	PAGE
	<i>R. McDonald</i>	<i>7-25-74</i>				

LIST OF MATERIALS

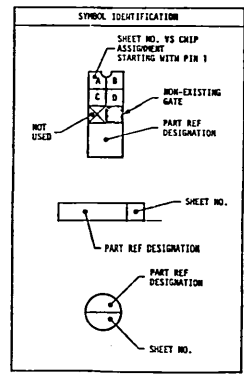
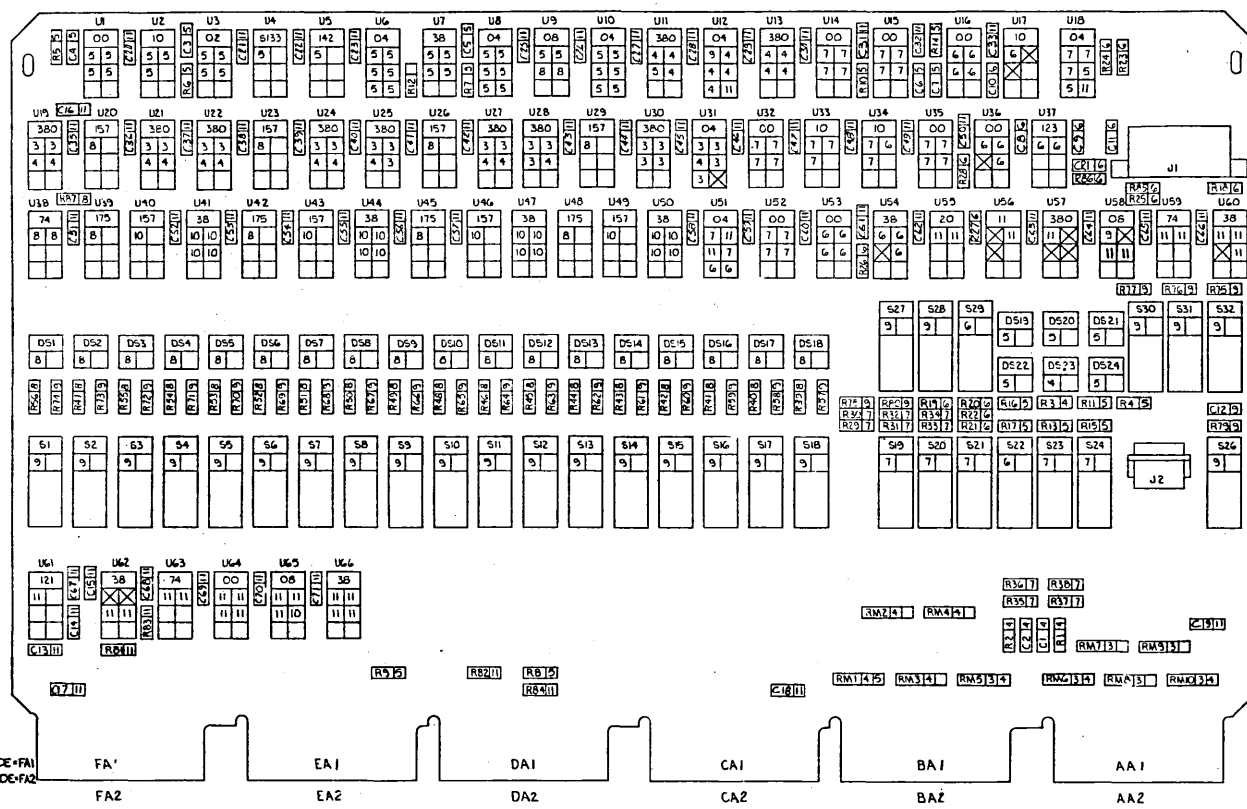
ITEM NO.	QTY. REQD.	REFERENCE DESIGNATION	PART NUMBER	DESCRIPTION	NOTES	VENDOR	VENDOR PART NUMBER
32	25	R3, R11, 13, R15, 16, 17, R39 THRU 56 R81	C54400261	RESISTOR, 100Ω, 1/4 W, 5%			RC07GF101J
33	3	R1, 2, 84	C54400267	180Ω, 1/4 W, 5%			RC07GF181J
34	3	R5, 6, 7	C54400269	220Ω, 1/4 W, 5%			RC07GF221J
35	2	R8, 82	C54400275	390Ω, 1/4 W, 5%			RC07GF391J
36	2	R23, 25	C54400277	470Ω, 1/4 W, 5%			RC07GF471J
37	2	R12, 26	C54400281	680Ω, 1/4 W, 5%			RC07GF681J
38	6	R4, 9, 18, R83, 86, 87	C54400285	1K, 1/4 W, 5%			RC07GF102J
39	37	R19, 20, R21, 22, 29, R30 THRU 38 R57 THRU 74 R80	C54400293	2.2K, 1/4 W, 5%			RC07GF222J
40	1	R27	C54400481	10K, 1/4 W, 5%			RC07GF103J
41	1	R28	C54400488	RESISTOR, 20K, 1/4 W, 5%			RC07GF203J
42	10	RM1 THRU RM10	C54811020	RESISTOR NETWORK 180/390Ω			
43							
44	1	CR1	C51631010	DIODE, HS SW		FAIRCHILD	FDH600
45							
46	24	DS1 - DS24	C51611201	L.E.D.		MONSANTO	11V-5153
47							
48	22	S1-18, 22, 26 S27, 28	C71664120	SWITCH, ROCKER-LOCKING P.C. TERMINAL			
49							
50	6	S19-21, 23, 24, 29	C71654121	SWITCH, ROCKER-MOMENTARY P.C. TERMINAL			
51	16		C67680010	LEVER (BEIGE)			
52	12		C67680011	LEVER (TAN)			
53	1	(REF J2)	C67680048	BRKT., CONNECTOR			
54							
55							
56	2		C67680074	BUS BAR, MACROPANEL			
57	1	J1	C56150641	CONNECTOR, 8 CIRCUIT		AMP	1-480459-0
58	1	J2	C56150725	CONNECTOR, 4 CIRCUIT		MOLEX	03-06-1041
59	8	(REF J1)	C56150603	SOCKET		AMP	60617-1
60	4	(REF J2)	C56150726	SOCKET		MOLEX	1561-TL
61	AR		C37002750	WIRE, 24 AWG, SOLID COND. GRN		AM ENKA	T502 (1/24)
62							
63	AR	(REF J2)	C61431059	SCREW, PAN HD. #6-32 X 1/4		PHEOLL	PH 6-32x1/4
64	AR	(REF J1)	C61431063	SCREW, PAN HD. #6-32 X 1/2		PIONEER	PH 6-32x1/2
65							
66	AR		C61532008	NUT, HEX, 6-32		PHEOLL	HEX 6-32
67	AR		C61221401	WASHER, NYLON .150 X .281 O.D.		WECKESSER	NW6-3125
68	1	R14	C54400473	RESISTOR, 4.7K, 1/4W, 5%			RC07GF472J

FORM NO. 3-172

ORIGINATOR			TITLE	
APPROVAL			BOARD ASSEMBLY, CAL DATA MACROPANEL	
		SIZE	DOCUMENT NUMBER	REV.
		B	C81080310	07
		DS	SHEET 4 OF 4	PAGE

RELEASE STATUS				REVISION			
RELEASE LEVEL	APPROVED	DATE	REV.	ECO.	DESCRIPTION	DRW.	DATE
EXPERIMENTAL			01	Φ	REL PER DRW D50016	CA	5/24/68
DESIGN			02		D500115-01 SEE ECO	FW	7/23/68
PRODUCTION			03		D500127-01 SEE ECO	GM	10/28/68
			04		D500210-01 SEE ECO	GM	11/20/68
			04		D500213A SEE ECO	GM	11/20/68

The information herein is the property of California Data Products. It is loaned to you for use in the production of the information shown and is not to be distributed outside your organization. It is not to be used for any other purpose without the written consent of California Data Products.



LAST REF DESIGNATION USED

COMPONENT	SYMBOL	DESIG.
INT. CIRCUIT	U	66
RESISTOR	R	87
CAPACITOR	C	71
TRANSISTOR	Q	
DIODE	CR	7
TRANSFORMER	T	
RESISTOR MODULE	RM	10
TRANSISTOR MODULE	QM	Φ
DIODE MODULE	DM	
TRIPOD	R	
INDUCTOR	L	
HYBRID	Z	
DELAY LINE	DL	
SENSISTOR	RT	

COMPONENT LOCATION MAP

2. REVISIONS TO THIS DOCUMENT WILL BE MAINTAINED ON A PER SHEET BASIS. FOR REVISION LOG SEE SHEET 2.

FUNCTIONS CODED WITH ARE ASSIGNED ON THE BACKPLANE AND ARE NOT USED ON THIS ASSEMBLY.

NOTES: UNLESS OTHERWISE SPECIFIED

ITEM	PART NO.	QTY.	DESCRIPTION																
<table border="1"> <tr> <td colspan="2"> </td> <td colspan="2"> TITLE BOARD SCHEMATIC, MACRO PANEL </td> </tr> <tr> <td> ORGANIZATION California Data Processors </td> <td> DATE 5/23/68 </td> <td> DOCUMENT NUMBER D21080310 </td> <td> REV. 04 </td> </tr> <tr> <td> APPROVED [Signature] </td> <td> DATE 5/23/68 </td> <td> SHEET 1/11 </td> <td> TOTAL SHEETS 11 </td> </tr> <tr> <td> DRAWN [Signature] </td> <td> DATE 5/23/68 </td> <td> DO NOT SCALE PRINT SCALE NONE </td> <td> DIMENSIONS UNLESS SPECIFIED UNLESS OTHERWISE SPECIFIED </td> </tr> </table>						TITLE BOARD SCHEMATIC, MACRO PANEL		ORGANIZATION California Data Processors	DATE 5/23/68	DOCUMENT NUMBER D21080310	REV. 04	APPROVED [Signature]	DATE 5/23/68	SHEET 1/11	TOTAL SHEETS 11	DRAWN [Signature]	DATE 5/23/68	DO NOT SCALE PRINT SCALE NONE	DIMENSIONS UNLESS SPECIFIED UNLESS OTHERWISE SPECIFIED
		TITLE BOARD SCHEMATIC, MACRO PANEL																	
ORGANIZATION California Data Processors	DATE 5/23/68	DOCUMENT NUMBER D21080310	REV. 04																
APPROVED [Signature]	DATE 5/23/68	SHEET 1/11	TOTAL SHEETS 11																
DRAWN [Signature]	DATE 5/23/68	DO NOT SCALE PRINT SCALE NONE	DIMENSIONS UNLESS SPECIFIED UNLESS OTHERWISE SPECIFIED																

8

7

6

5

4

3

2

1

The information herein is the property of Cambridge Data Products. Reproduction, storage or transmission of this information without the express written permission of Cambridge Data Products is prohibited. This document is the property of Cambridge Data Products.

ZONE/LTR		REVISIONS		DATE	APPROVED
SEC SWT 1					

SHEET NUMBERS

1	2	3	4	5	6	7	8	9	10	11	12	13	14	15	16	17	18	19	20	21	22	23	24	25
01	01	01	01	01	01	01	01	01	01															
02	02				02																			
03	03	03	03	03	03	03	03	03	03															
04	04		04						04															

REVISION LEVEL

PAGE NO	J1	PIN NO
N/U		1
5	RLN	2
6	RND	3
6	REM CNT-L	4
6	GND	5
6	REN/SRT-L	6
6	GND	7
6	CFM STP-L	8

PAGE NO	J2	PIN NO
9	PWR T-L	4
9	PWR SW	3
5	PNL K-L	2
5	GND	1

PAGE NO	1	F	2	PAGE NO
	CMO28-H	A	+5V	11
	CMO29-H	B	-15V	11
	CMO31-H	C	GND	11
	CMO30-H	D	CMO32-H	
	CMO33-H	E	CMO34-H	
	CMO35-H	F	DADO2-H	
	CMO37-H	H	CMO36-H	
	CMO39-H	J	CMO38-H	
	IRPTE-L	K	CMO40-H	
	CMO41-H	L	CMO42-H	
	CMO43-H	M	CPEN-L	
	CMO45-H	N	CMO44-H	
	CMO47-H	P	CMO46-H	
	DADO3-H	R	ACMSL-L	
		S	AUX2M-C	
11	GND	T	IRINA-L	
		U	IWAIT-L	
	SY5CK-L	V	GND	11

PAGE NO	1	E	2	PAGE NO
	CMO00-H	A	+5V	11
	CMO01-H	B	-15V	11
	CMO02-H	C	GND	11
	CMO03-H	D	CMO04-H	
	CMO05-H	E	CMO06-H	
	CMO07-H	F	EMINH-L	
	CMO09-H	H	CMO08-H	
	CMO11-H	J	CMO10-H	
	DADO0-H	K	CMO12-H	
	CMO13-H	L	CMO14-H	
	CMO15-H	M	DADO1-H	
	CMO17-H	N	CMO16-H	
	CMO19-H	P	CMO18-H	
5	SRD-L	R	CMO20-H	
	CMO21-H	S	CMO22-H	
11	GND	T	CMO24-H	
	CMO23-H	U	CMO26-H	
	CMO25-H	V	CMO27-H	

PAGE NO	1	D	2	PAGE NO
	PEINT-H	A	+5V	11
	HLINT-H	B	-15V	11
9	DS16-H	C	GND	11
9	DS17-H	D	LTCL-L	11
5	VIRIAD-H	E	PBBSY-L	5
	CCO00-L	F	HALTP-L	6
	CCO01-L	H	MSRIS-H	5
	CCO02-L	J	RESET-L	
	CCO03-L	K	BG7-IN	
	CCO04-L	L	BG7-OUT	
	CCO05-L	M	BG6-OUT	11
	CCO06-L	N	BG6-IN	11
	CCO07-L	P	BG5-IN	
	CCO08-L	R	BG5-OUT	
	CCO09-L	S	BG4-IN	
11	GND	T	BG4-OUT	
	CCO10-L	U	NPG-IN	
	CCO11-L	V	NPG-OUT	

PAGE NO	1	C	2	PAGE NO
	MB000-L	A	+5V	11
	MB001-L	B	-15V	11
	MB002-L	C	GND	11
	MB003-L	D	MB004-L	
	MB005-L	E	MB006-L	
	MB007-L	F	MB008-L	
	MB009-L	H	MB010-L	
	MB011-L	J	MB012-L	
	MB013-L	K	MB014-L	
	MB015-L	L	AB000-H	
	AB001-H	M	AB002-H	
	AB003-H	N	AB004-H	
	AB005-H	P	AB006-H	
	AB007-H	R	AB008-H	
	AB009-H	S	AB010-H	
11	GND	T	AB011-H	
	AB013-H	U	AB012-H	
	AB015-H	V	AB014-H	

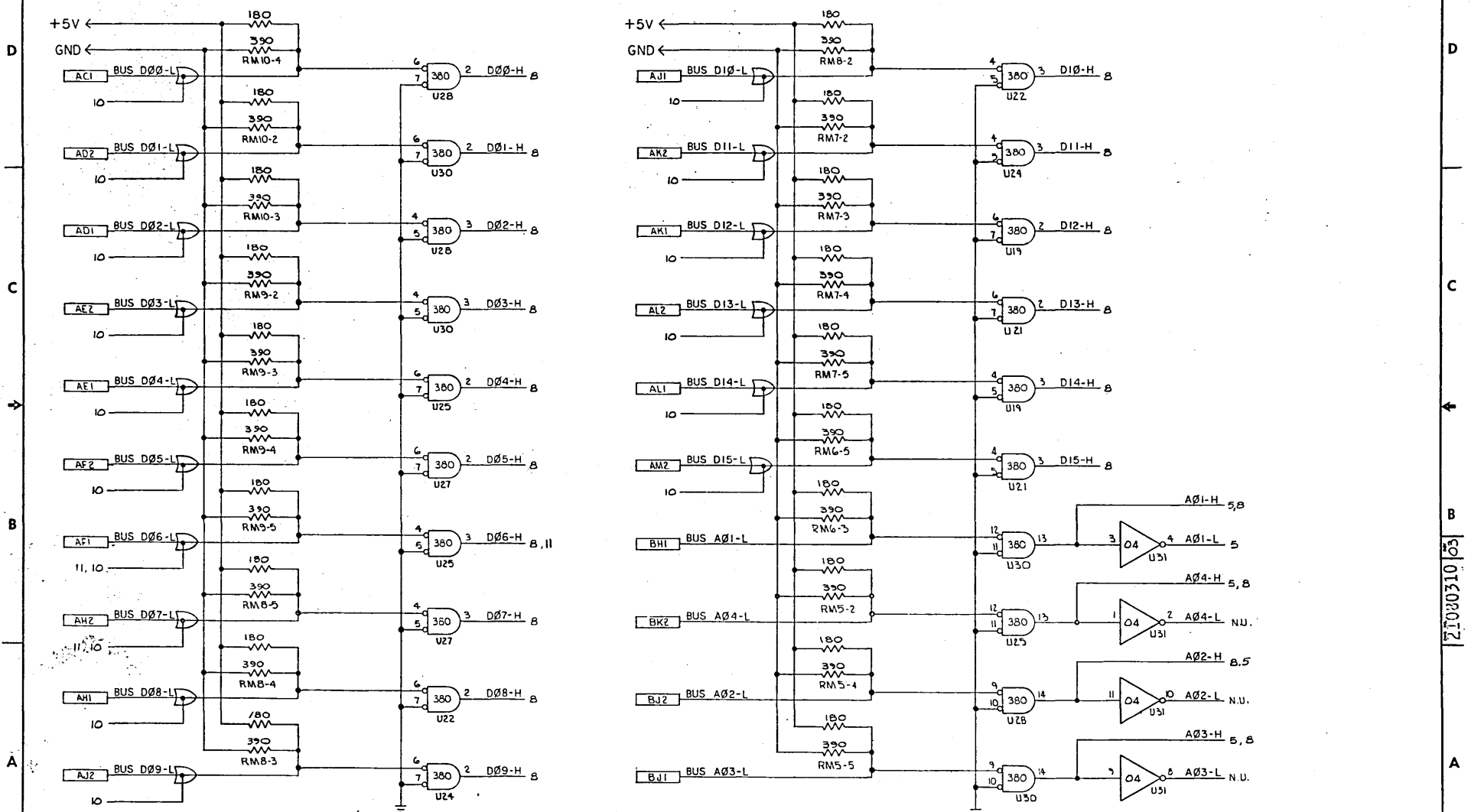
PAGE NO	1	B	2	PAGE NO
	BUS BG4-H	A	+5V	11
	BUS BG5-H	B	GND	11
	BUS B25-L	C	GND	11
11	GND	D	BUS B84-C	
11	GND	E	BUS B64-H	
4	BUS AC10-L	F	BUS DC10-L	4
3	BUS A01-L	H	BUS A00-L	4
3	BUS A03-L	J	BUS A02-L	3
4	BUS A05-L	K	BUS A04-L	3
4	BUS A07-L	L	BUS A06-L	4
4	BUS A09-L	M	BUS A08-L	4
11	GND	N	BUS A10-L	4
4	BUS A12-L	P	BUS A12-L	4
4	BUS A15-L	R	BUS A14-L	4
4	BUS A17-L	S	BUS A16-L	4
11	GND	T	BUS C1-L	4
4	BUS 55YN-L	U	BUS C0-L	4
4	BUS 55YN-L	V	GND	11

PAGE NO	1	A	2	PAGE NO
4	BUS INIT-L	A	+5V	11
11	BUS NTR-L	B	GND	11
3	BUS D00-L	C	GND	11
3	BUS D02-L	D	BUS D01-L	3
3	BUS D04-L	E	BUS D03-L	3
3	BUS D06-L	F	BUS D05-L	3
3	BUS D08-L	H	BUS D07-L	3
3	BUS D10-L	J	BUS D09-L	3
3	BUS D12-L	K	BUS D11-L	3
3	BUS D14-L	L	BUS D13-L	3
	BUS PA-L	M	BUS D15-L	3
11	GND	N	BUS PB-L	4
11	GND	P	BUS BB5Y-L	4
11	GND	R	BUS SACK-L	11
11	GND	S	BUS NPR-L	
11	GND	T	BUS BR7-L	
	BUS NRG-H	U	BUS BR6-L	11
	BUS BR7-H	V	GND	11

SIZE CODE IDENT NO. DWG NO. **021080310**
 SCALE NONE REV: 04 SHEET 2 OF 11

The information herein is the property of Control Data Processors, Inc. and is not to be distributed, copied, or reproduced in any form without the express written consent of Control Data Processors, Inc. All rights reserved. This document is the property of Control Data Processors, Inc. and is not to be distributed, copied, or reproduced in any form without the express written consent of Control Data Processors, Inc. All rights reserved.

REVISIONS		DATE	APPROVED
ZONE/LTR	DESCRIPTION		
	SEE SHEET 1		

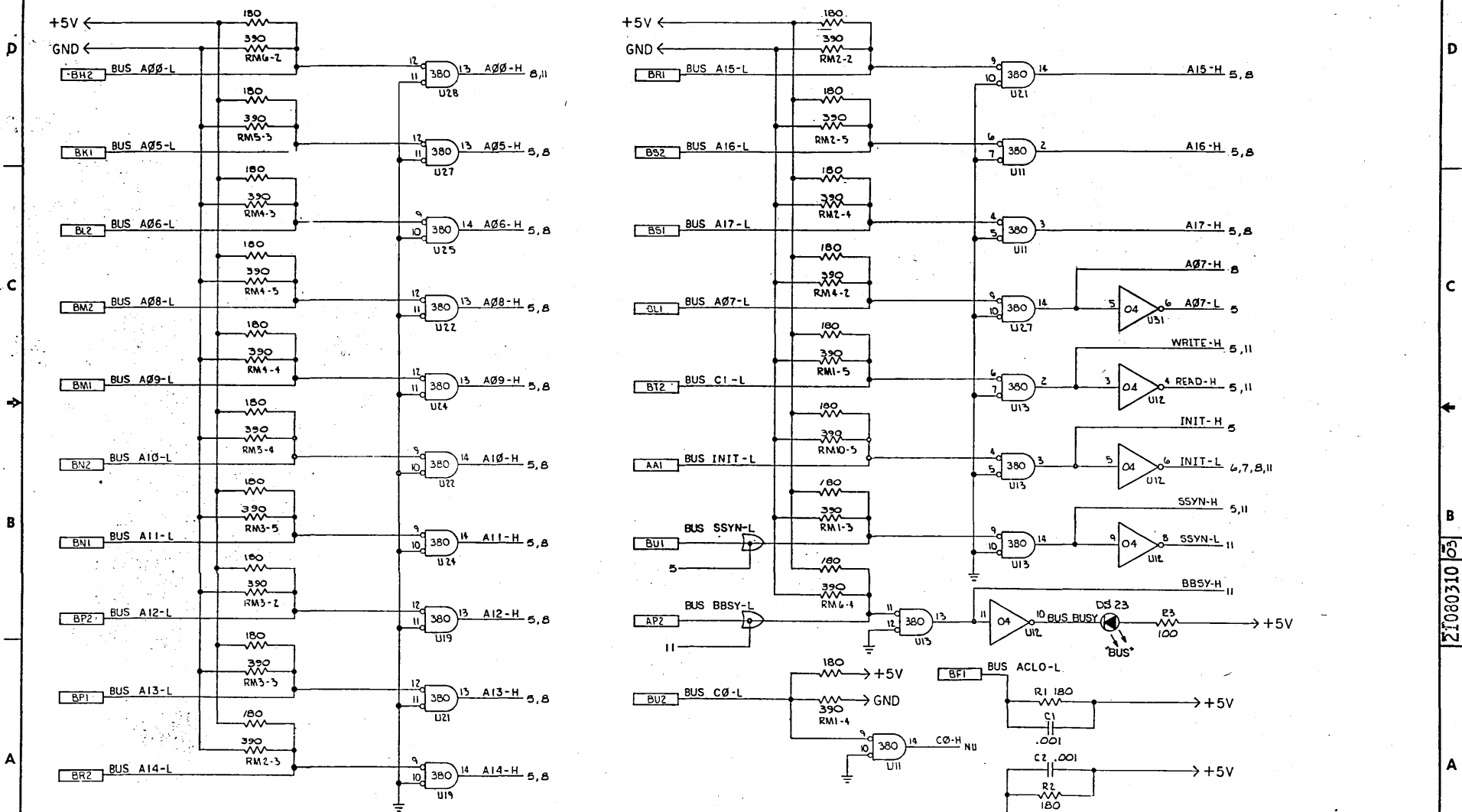


21080310 03

SIZE	CODE IDENT NO.	DWG NO.
D		C21080310
SCALE: NONE	REV: 03	SHEET 3 OF 11

The information herein is the property of Calsonic Data Processors. It is to be used only for the purpose of the original design and drawing. It is not to be reproduced, stored in a retrieval system, or transmitted in any form or by any means, electronic, mechanical, photocopying, recording, or by any information storage and retrieval system, without the prior written permission from an official of the above firm.

REVISIONS			
ZONE/LTR	DESCRIPTION	DATE	APPROVED
	SEE SHEET 1		

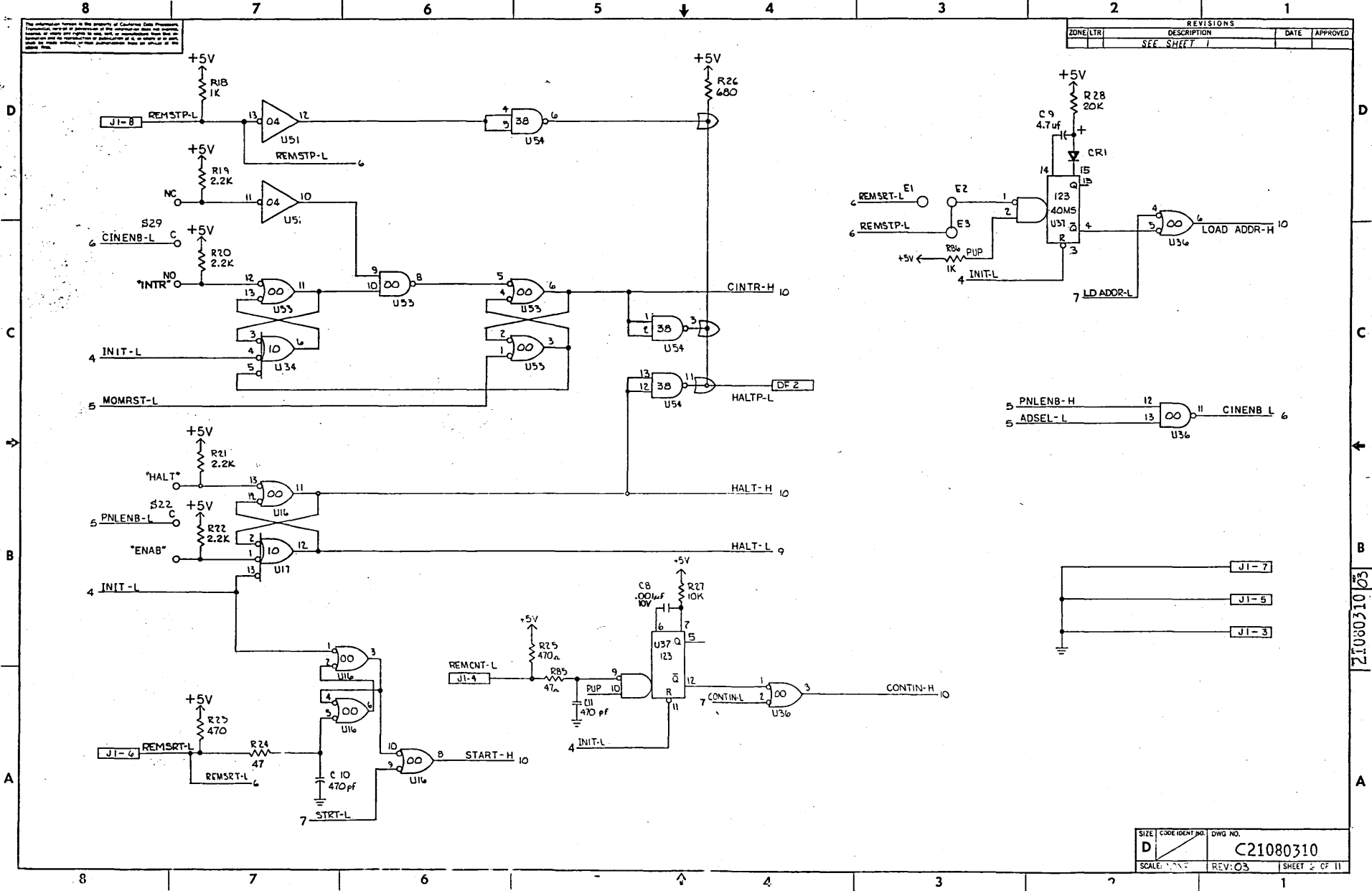


SIZE	CODE IDENT. NO.	DWG. NO.
D		C21080310
SCALE: NONE	REV: 03	SHEET 2 OF 11

C0101080310

This information herein is the property of Calsonic Data Products. Transmission or publication of this information shall not constitute, in whole or in part, an acknowledgment, approval, or endorsement of any kind by Calsonic Data Products of the accuracy or reliability of the information herein. It is intended for use only in connection with the equipment to which it is specifically identified.

REVISIONS			
ZONE/LTR	DESCRIPTION	DATE	APPROVED
	SEE SHEET 1		

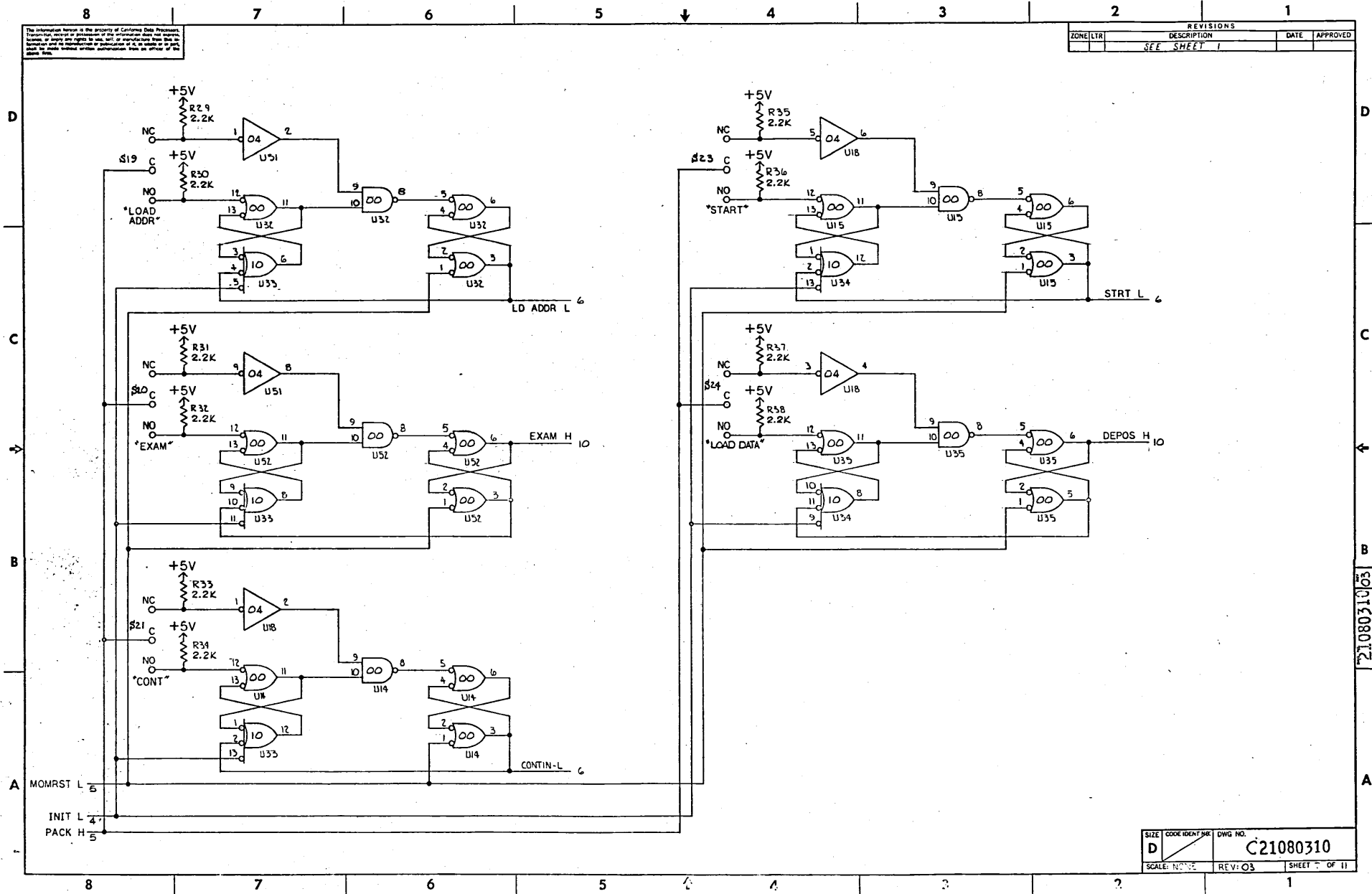


SIZE	CODE IDENT NO.	DWG NO.
D		C21080310
SCALE: 1:1	REV: 03	SHEET 2 OF 11

21080310 03

The information herein is the property of Calsonic Data Products. It is to be used only for the purposes for which it was prepared, and its use for any other purpose is prohibited. No part of this document may be reproduced or transmitted in any form or by any means, electronic or mechanical, including photocopying, recording, or by any information storage and retrieval system, without the prior written permission of Calsonic Data Products.

REVISIONS			DATE	APPROVED
ZONE/LTR	DESCRIPTION			
	SEE SHEET 1			

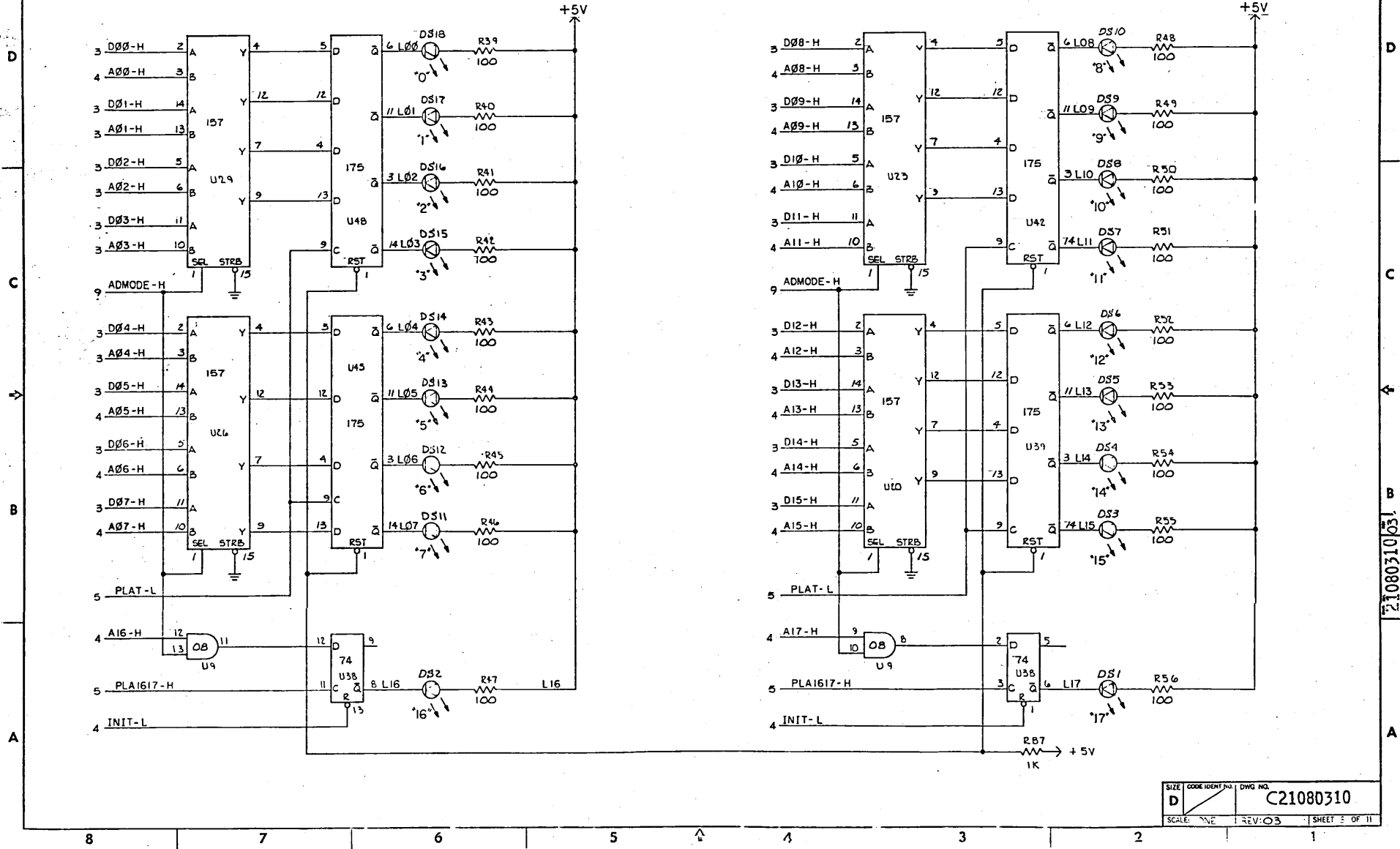


SIZE	CODE IDENT	DWG NO.
D		C21080310
SCALE	NOTE	REV: 03 SHEET 7 OF 11

2108031005

The information herein is the property of California Gold Processors. It is to be used only for the purpose of manufacturing and is not to be reproduced or transmitted in any form or by any means, electronic, mechanical, photocopying, recording, or by any information storage and retrieval system, without the prior written permission of California Gold Processors.

REVISIONS			
ZONE/LTR	DESCRIPTION	DATE	APPROVED
	SEE SHEET 1		

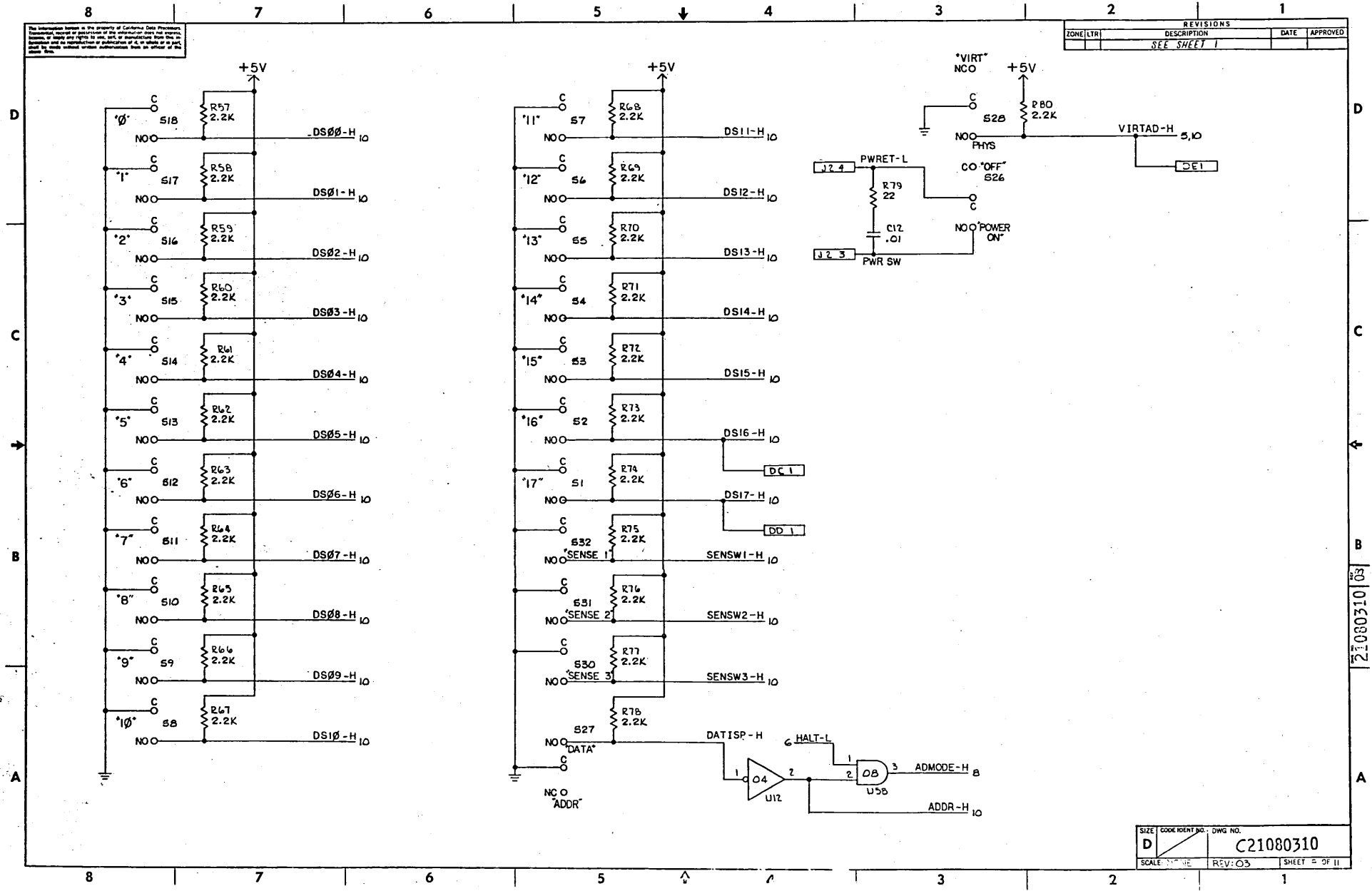


SIZE	CODE IDENT NO.	DWG NO.
D		C21080310
SCALE	REV: 03	SHEET 3 OF 11

21080310/031

The information herein is the property of California Data Products. Reproduction, use, or disclosure of this information, in whole or in part, without the express written permission of California Data Products is prohibited. This information is to be used only for the purpose of the project for which it was prepared and is not to be distributed outside of that project.

REVISIONS			
ZONE/LTR	DESCRIPTION	DATE	APPROVED
	SEE SHEET 1		

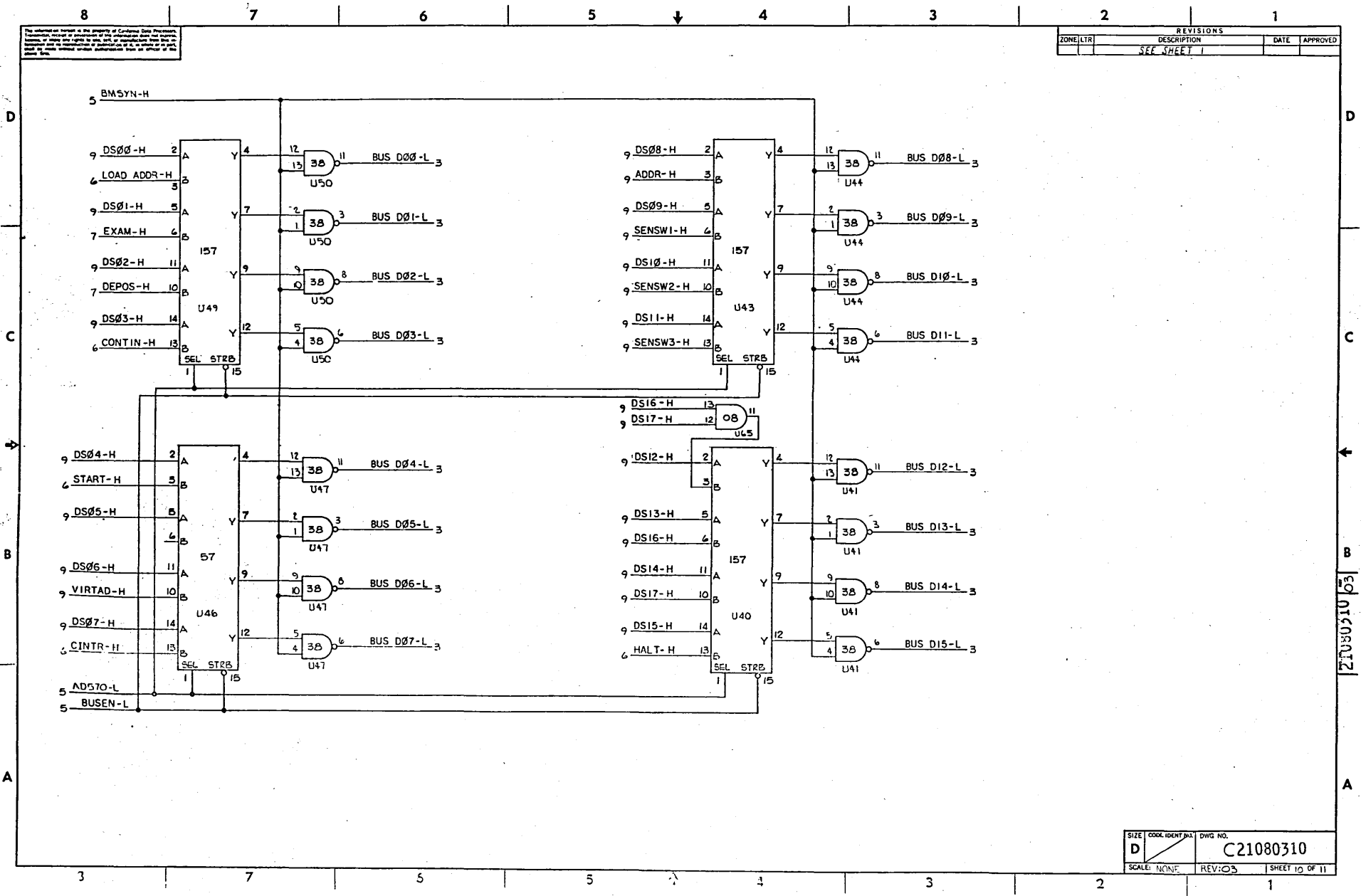


SIZE	COORDINATE NO.	DWG NO.
D		C21080310
SCALE	REV: 03	SHEET 2 OF 11

21080310 03

The information herein is the property of Comdata Data Processing, Inc. and is not to be distributed or used in any way without the written consent of Comdata Data Processing, Inc. This information is not to be used for any other purpose without the written consent of Comdata Data Processing, Inc.

ZONE/LTR		REVISIONS		DATE	APPROVED
		SEE SHEET 1			

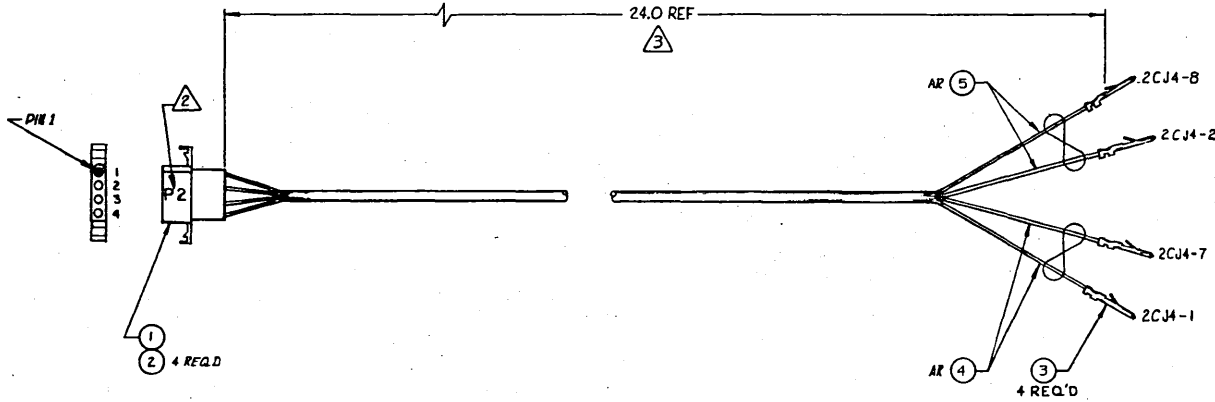


SIZE	COOL IDENT NO.	DWG NO.
D		C21080310
SCALE: NONE	REV: 03	SHEET 10 OF 11

Z1080310 03

The information herein is the property of California Data Processors, Inc. and is loaned to you for your use only. It is not to be distributed outside your organization. It is to be returned to California Data Processors, Inc. upon completion of your project. It is to be destroyed if it is not returned to California Data Processors, Inc. within 90 days of the date of the loan.

RELEASE STATUS				REVISIONS			
RELEASE LEVEL	APPROVED	DATE	REV.	BY	DESCRIPTION	DATE	APP.
EXPERIMENTAL			01		REL PER DRN DS0004	1-28-74	CK
DESIGN	<input checked="" type="checkbox"/>	<i>W. Amick</i>	02		SEE ECO.	7-17-74	CK
PRODUCTION							



WIRE GAGE	WIRE COLOR	ORIGIN	DESTINATION	FUNCTION	WIRE LENGTH
22	YEL	P2-1	2CJ4-8	PANEL LOCK	24.0
22	WHT	P2-2	2CJ4-2	PANEL LOCK	24.0
22	BLK	P2-3	2CJ4-7	POWER ON/OFF CONTROL	24.0
22	RED	P2-4	2CJ4-1	POWER ON/OFF CONTROL	24.0

WIRE TAB LISTING

3 WIRE LENGTH SHOWN ON THIS DRAWING IS FOR REFERENCE ONLY, FOR ACTUAL LENGTH REFER TO WIRE TAB LISTING.

2 REFERENCE DESIGNATION IS SHOWN FOR REFERENCE ONLY, AND DOES NOT APPEAR ON ACTUAL PART.

1. MAKE PER DATA 100 SPECIFICATION 22270100.


NOTES: UNLESS OTHERWISE SPECIFIED

ITEM	PART NO.	QTY.	DESCRIPTION
			TITLE
			CABLE ASSY, MACROPANEL
OPERATOR			DOCUMENT NUMBER
APPROVAL			C85300207
DATE			REV.
			02
DO NOT SCALE PRINT			UNLESS OTHERWISE SPECIFIED
SCALE NONE			FRACTIONS DECIMALS ANGLES
			2 2 2

SPACE	SPACE	ANGLES
1/16	1/32	30° 30'

LIST OF MATERIALS

ITEM NO.	QTY. REQD.	REFERENCE DESIGNATION	PART NUMBER	DESCRIPTION	NOTES	VENDOR	VENDOR PART NUMBER
1	1	P2	C56150729	CONNECTOR, PIN, 4 CONTACT		MOLEX	03-06-2041
2	4		C56150730	PIN, CONTACT, 18-24 GA		MOLEX	02-06-2103
3	4		C56150684	PIN, CONTACT, 18-22 GA		AMP	60618-1
4	AR		C37203402	WIRE, 22 AWG, STRD TW/PR, RED/BLK		ALPHA	3251
5	AR		C37203494	WIRE, 22 AWG, STRD TW/PR, YEL/WHT		ALPHA	3251

ORIGINATOR	<i>Chambers</i>	6-28-74	 california data processors	TITLE		
APPROVAL	<i>B. Marshall</i>	7-1-74		CABLE ASSY, MACROPANEL		
	<i>R. Marshall</i>	7-1-74		SIZE	DOCUMENT NUMBER	REV.
	<i>R. Marshall</i>	7-2-74		B	C85300207	02
	<i>R. Marshall</i>	7-1-74		DS	SHEET 2 OF 2	PAGE
		<i>Frank Cox</i>				
		9/3				
		7/1/74				

FORM NO. 3-172