

CAL DATA 1 COMPUTER
(P/N C85400100)

DRAWING PACKAGE
C21518004-X3



california data processors

INTRODUCTION

This volume contains engineering drawings for the Cal Data 1 computer, part number C85400100.

Table 1 lists the engineering drawings contained in this document. Material parts lists are included as part of each assembly drawing.

Components are identified, where applicable, by both the suggested manufacturer's part number and the Cal Data part number. In general, commercially available parts conform to specifications published by the manufacturer; however, Cal Data component specifications dictate the performance of all component parts used.

Schematics use industry standard designations where applicable (e.g., 7401, 2N5769). These designations are for convenience only and do not necessarily imply that these specific parts are used. The parts lists contain the accurate identification of individual parts.

Table 1. Drawings in this Document

NUMBER	TITLE
C21518005 C85400100 C22285009	Theory of Operation, Cal Data 1/00 Engine Computer Assembly, Cal Data 1 Configuration Specification, Cal Data 1 Computer Assembly
C81080340	Board Assembly, Backplane
C21080340	Board Schematic, Backplane
C85300046	Cable Assembly, Fan
C85300057	Power Harness
C81080180	Board Assembly, CPU Engine 1
C21080180	Board Schematic, CPU Engine 1
C81080190	Board Assembly, CPU Engine 2
C21080190	Board Schematic, CPU Engine 2
C81080130	Board Assembly, CPU Interconnect
C21080130	Board Schematic, CPU Interconnect
C81080050	Board Assembly, Terminator
C21080050	Board Schematic, Terminator

2019 south ritchey street · santa ana, california 92705 · (714) 558-8211

CAL DATA 1 COMPUTER
(P/N C85400100)

DRAWING PACKAGE
C21518004-X3

DOCUMENT C21518004
Revision X3
October 1974

Cal Data and MACROBUS are trademarks of
California Data Processors



© Copyright, 1974

california data processors

\$35.00

8

7

6

5

4

3

2

1

The information herein is the property of California Data Processors. Reproduction, use or possession of the information does not express, license, or imply any rights to use, sell, or manufacture from this information and no reproduction or publication of it, in whole or in part, shall be made without written authorization from an officer of the above firm.

SHEET NUMBERS

1	2	3	4	5	6	7	8	9	10	11	12	13	14	15	16	17	18	19	20	21	22	23	24	25	26	27	28	29	30	31	32	33	34	35	36	37	38	39	40	41	42	43	44	45	46	47	48	49	50				
01	01	01	01	01	01	01	01	01	01	01																																											

REVISION LEVEL

REVISION LOG: REVISIONS TO THIS DOCUMENT WILL BE MAINTAINED ON A PER SHEET BASIS

RELEASE STATUS				REVISIONS				
RELEASE LEVEL	APPROVED	DATE	REV.	ECO.	DESCRIPTION	ORIG.	DATE	APP.
EXPERIMENTAL			01	0	D.R.N. DS00130	CK	5-5-74	AK
ENGINEERING								
PRODUCTION								

- 4. REFERENCE DOCUMENTS:
FOR TEST PROCEDURE SEE C22413017
FOR SHIPPING PREPARATION SEE C22283002

3 ITEM 33 BUS GRANT CONTINUITY P.W. BOARD MUST BE INSTALLED IN ALL UNUSED SLOTS OF ROW D STARTING WITH J7 REGARDLESS OF SYSTEM CONFIGURATION.

2 ITEMS ARE SELECTED TO AGREE WITH THE MARKETING CODE AS NOTED ON THE SALES ORDER. FOR CONFIGURATION SPECIFICATION SEE DOCUMENT C22285009

1. MAKE PER CAL DATA SPEC C22270100.

NOTES: UNLESS OTHERWISE SPECIFIED

6 HOLES ARE PROVIDED FOR CUSTOMERS USE ONLY TO RETAIN THIS UNIT WITHIN A CABINET. REQUIRED HARDWARE IS NOT A PART OF THIS ASSEMBLY.

5 USE MOUNTING HARDWARE SUPPLIED BY THE VENDOR TO MOUNT SLIDES ONTO ITEM 1. EXCESS HARDWARE FURNISHED BY VENDOR TO MOUNT THIS ASSEMBLY INTO A RACK MUST BE SHIPPED ALONG WITH THIS ASSEMBLY TO CUSTOMER.

FOR PARTS LIST SEE SHEETS 9 AND 10

ITEM	PART NO.	QTY	DESCRIPTION
california data processors			TITLE
COMPUTER ASSEMBLY,			REV.
CAL DATA I			01
ORIGINATOR	P. W. Loader	P. 574	DOCUMENT NUMBER
APPROVAL			C85400100
DATE			SCALE
			DO NOT SCALE PRINT
			SHEET OF 10
			UNLESS OTHERWISE SPECIFIED
			FRACTIONS DECIMALS ANGLES

8

7

6

5

4

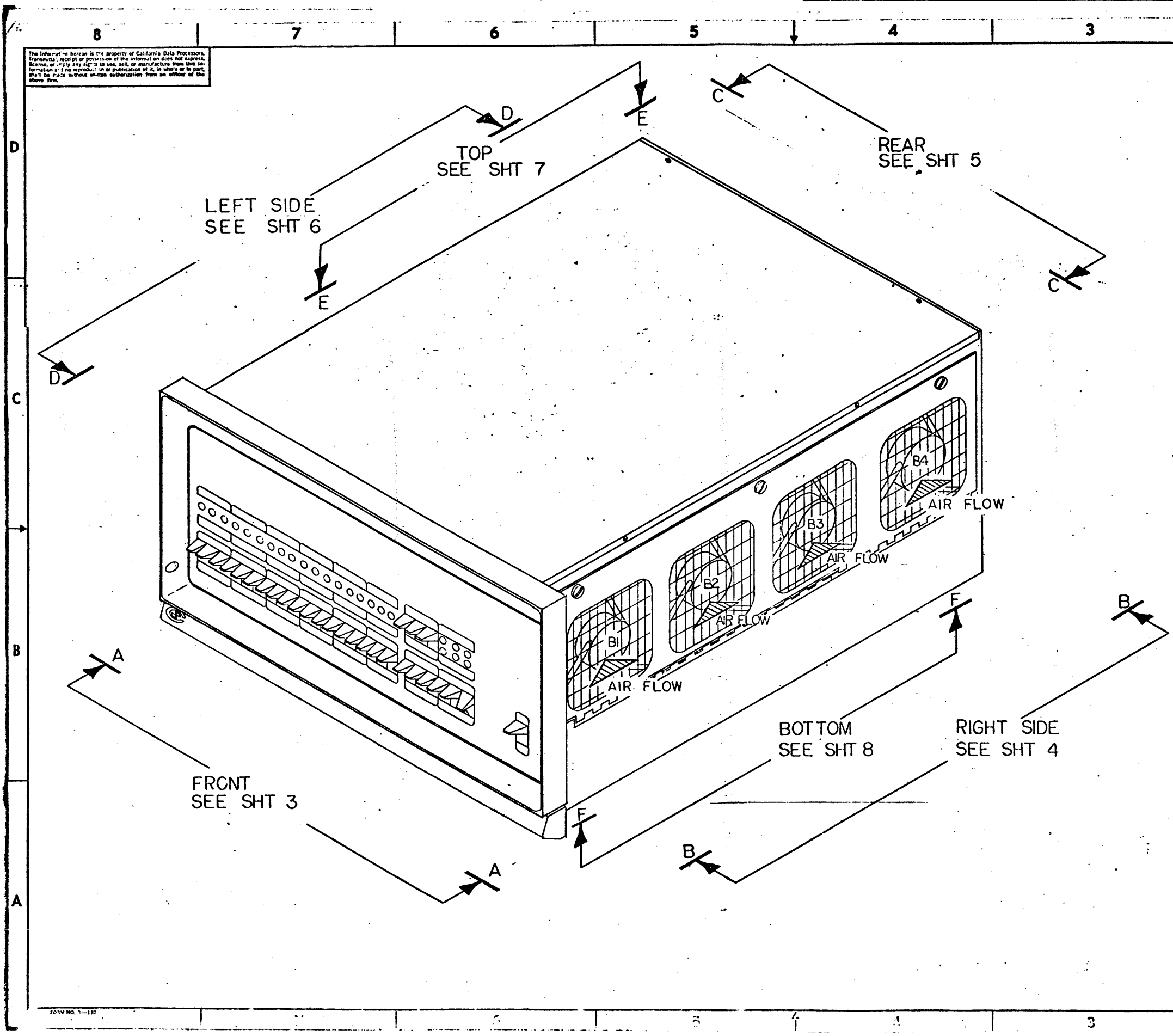
3

2

1

The information herein is the property of California Data Processors. Transmittal, receipt or possession of the information does not constitute, license, or imply any right to use, sell, or manufacture from this information in any reproduction or publication of it, in whole or in part, shall be made without written authorization from an officer of the above firm.

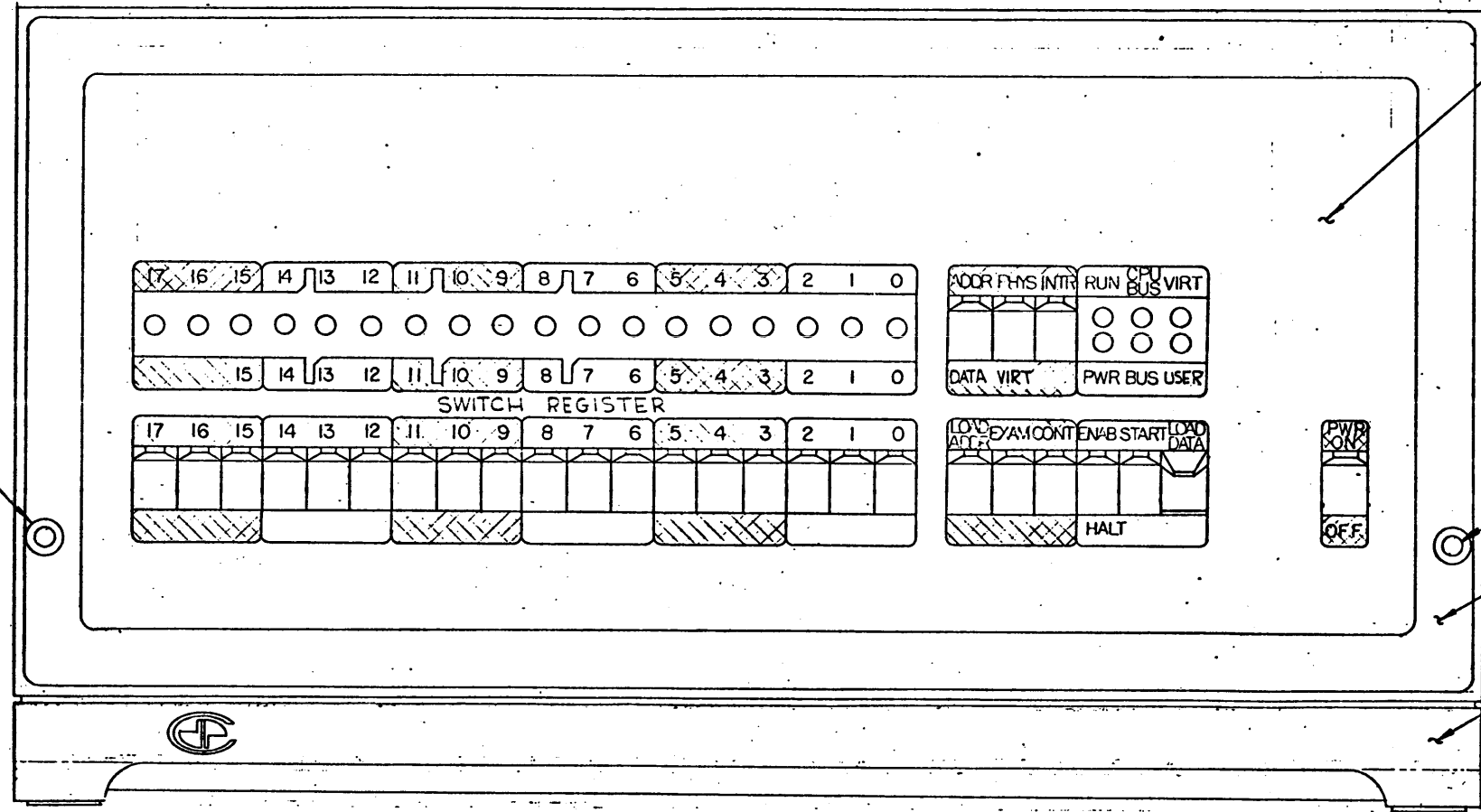
REVISIONS					
REV.	SEC.	DESCRIPTION	QMSL.	DATE	APP.
SEE SHEET 1					



california data processors <small>ORIGINATOR</small>	TITLE COMPUTER ASSEMBLY, CAL DATA 1		REV. 01
	APPROVAL	SIZE D	
<small>DO NOT SCALE PRINT</small>	SHEET OF 2	<small>UNLESS OTHERWISE SPECIFIED SCALE 11/16" = 1" ANGLES 2</small>	

The information herein is the property of California Data Processors. Transmission, receipt or possession of the information does not express license or imply any right to use, sell, or manufacture from this information and no reproduction or publication of it, in whole or in part, shall be made without written authorization from an officer of the above firm.

REVISIONS				
REV.	NO.	DESCRIPTION	CHG.	DATE
SEE SHEET I				

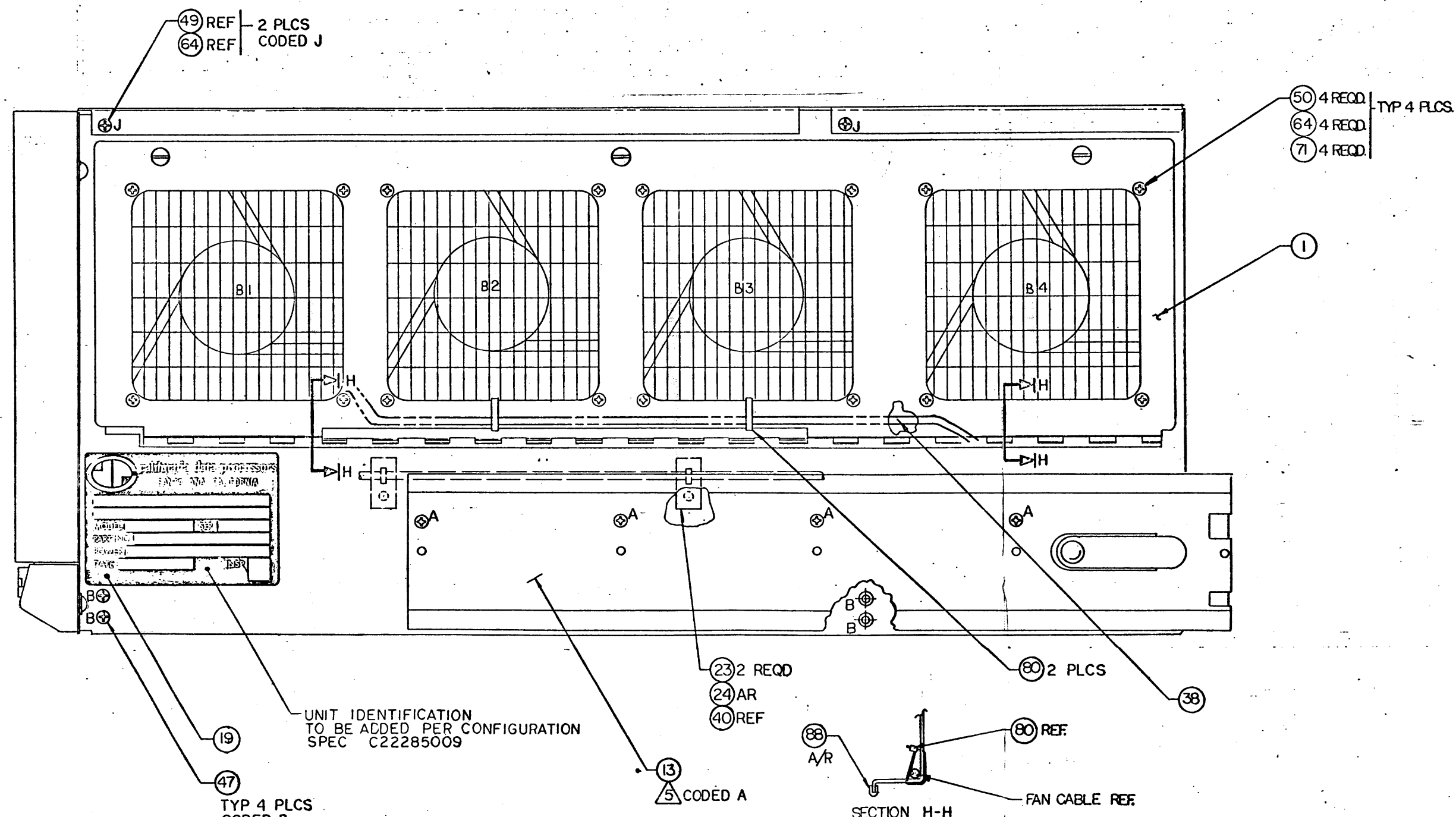


FRONT, VIEW A-A

california data processors		TITLE COMPUTER ASSEMBLY, CAL DATA I	
ORIGINATOR		SIZE	DOCUMENT NUMBER
APPROVAL		D	C 85400100
		DS	REV. 01
DO NOT SCALE PRINT		SHEET 1 OF 3	UNLESS OTHERWISE SPECIFIED
SCALE 1/1		FRACTIONS DECIMALS	ANGLES

The information herein is the property of California Data Processors. Transfer, disclosure or possession of the information does not express license, or any right to use, sell, or manufacture from this information and no reproduction or publication of it, in whole or in part, shall be made without written authorization from an officer of the above firm.

REVISIONS				
REV.	BY	DESCRIPTION	DATE	APP.
SEE SHEET 1				



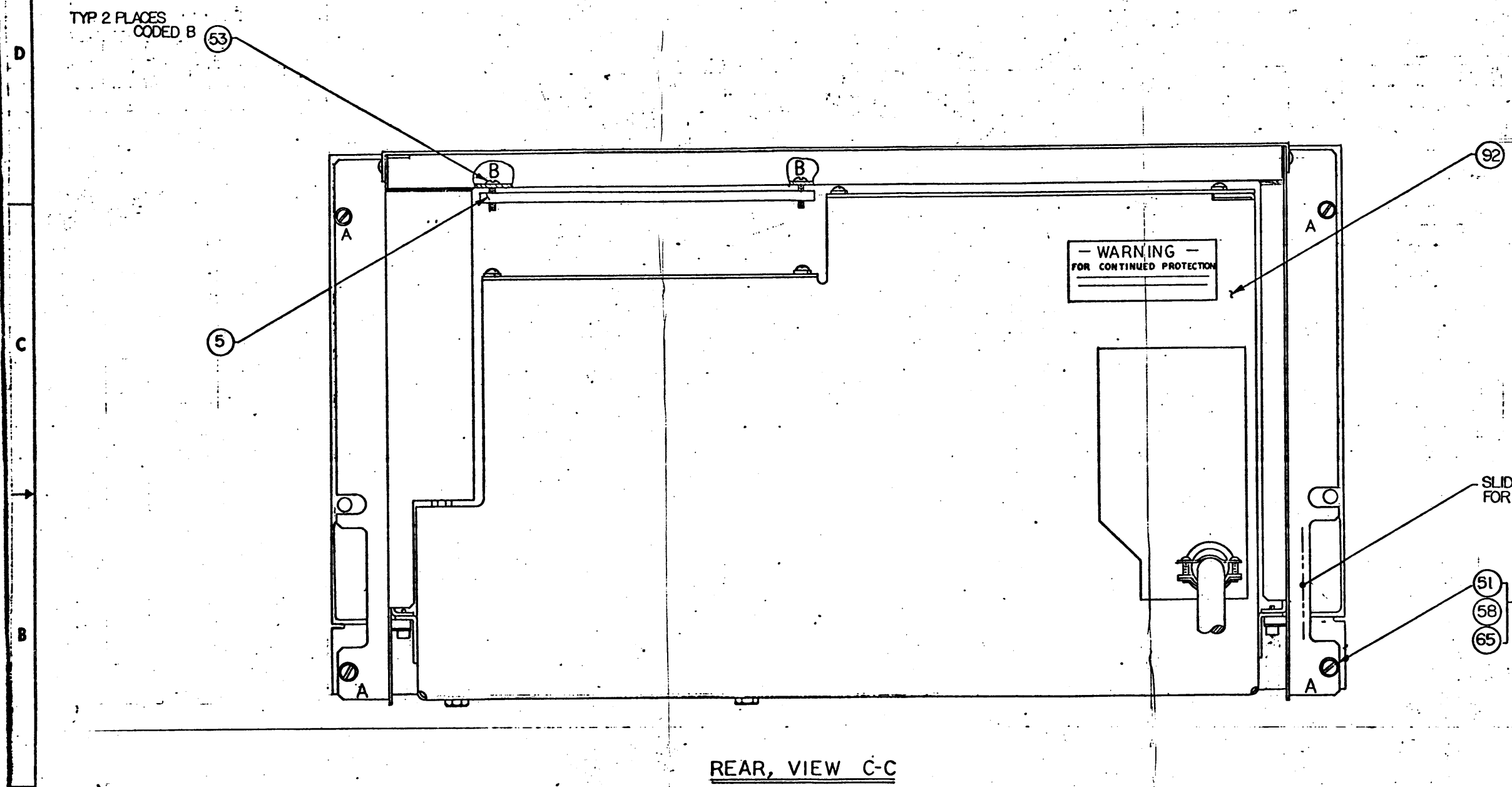
RIGHT SIDE
VIEW B-B

SECTION H-H
ADD GROMMET ONTO
FAN PANEL AS
SHOWN. FULL LENGTH
2 PLACES

california data processors		TITLE COMPUTER ASSEMBLY, CAL DATA I	
ORIGINATOR		SIZE	DOCUMENT NUMBER
APPROVAL		D	C85400100
		DO NOT SCALE PRINT	SHEET 4 OF 5
		SCALE	UNLESS OTHERWISE SPECIFIED FRACTIONS DECIMALS ANGLES

The information herein is the property of California Data Processors. Transfer, use, receipt or possession of the information does not constitute, in whole or in part, any right to use, sell, or manufacture from this information and no reproduction or publication of it, in whole or in part, shall be made without written authorization from an officer of the above firm.

REVISIONS				
REV.	NO.	DESCRIPTION	DATE	APPR.
SEE SHEET 1				

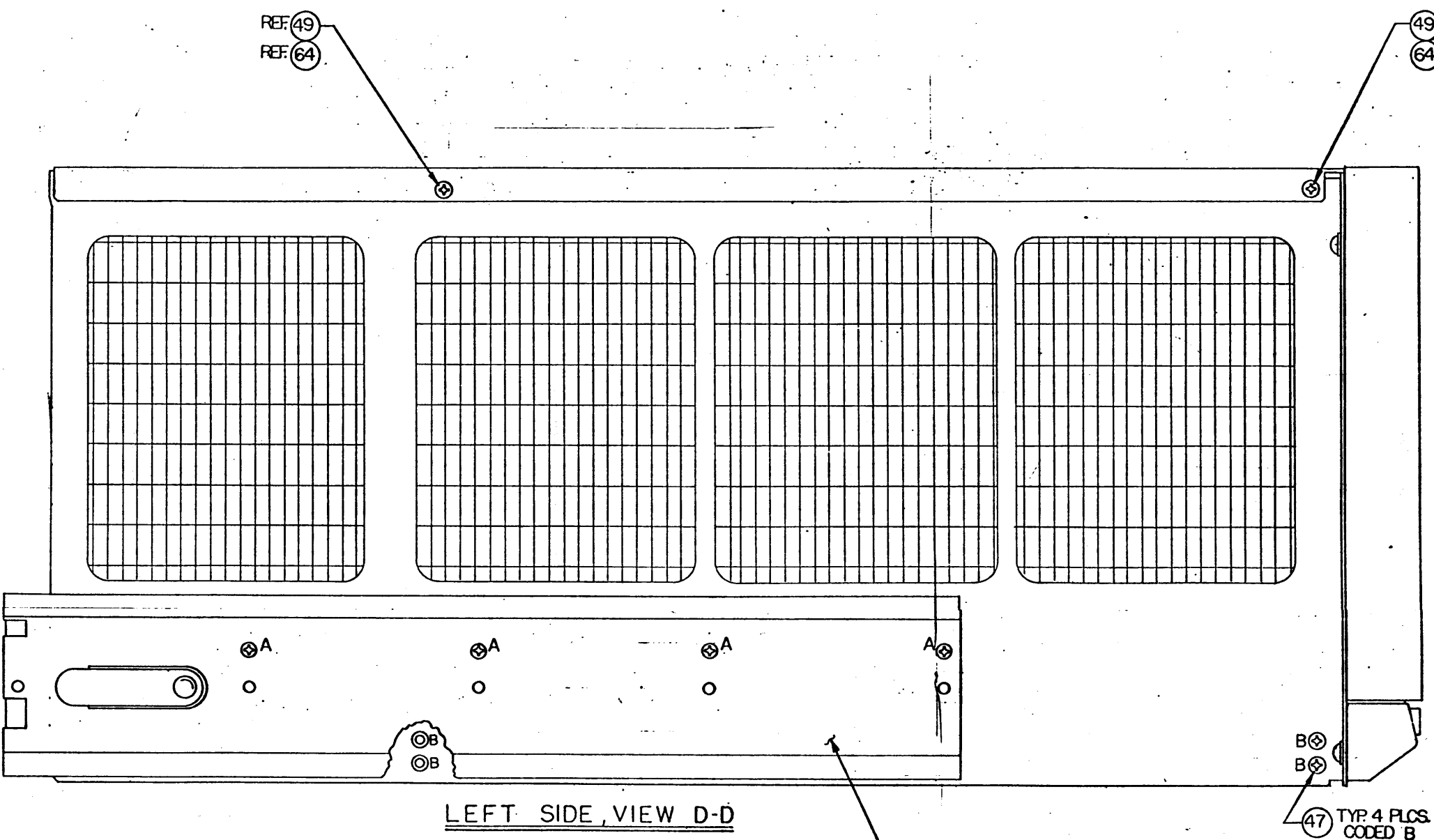


REAR, VIEW C-C

		TITLE COMPUTER ASSEMBLY, CAL DATA I	
ORIGINATOR		DOCUMENT NUMBER	REV.
APPROVAL		D 85400100	01
DS	DO NOT SCALE PRINT	SHEET	UNLESS OTHERWISE SPECIFIED
SCALE	1/2	CF	FRACTIONS DECIMALS ANGLES
		5	2

The information herein is the property of California Data Processors. Transmittal here of or possession of the information does not convey, license, or any right to use, sell, or manufacture from this information and no reproduction or publication of it, in whole or in part, shall be made without written authorization from an officer of the above firm.

REVISIONS				
REV.	ECO.	DESCRIPTION	ORIG.	DATE
SEE SHEET 1				

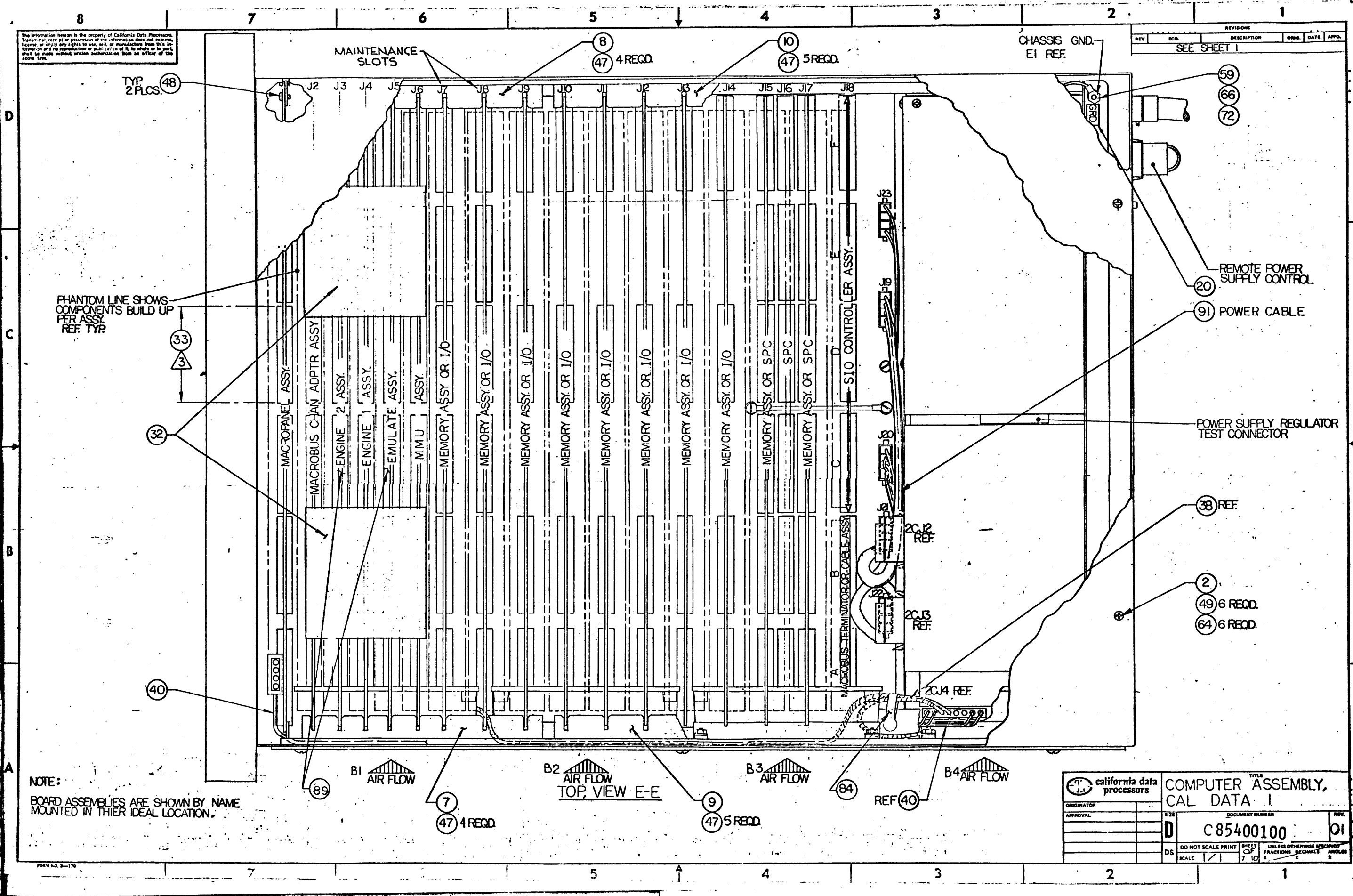


LEFT SIDE, VIEW D-D

california data processors <small>ORIGINATOR</small>	TITLE COMPUTER ASSEMBLY, CAL DATA I	
	<small>APPROVAL</small> 	SIZE D
<small>DO NOT SCALE PRINT</small> SCALE 1/1	SHEET OF 6 10	UNLESS OTHERWISE SPECIFIED FRACTIONS DECIMALS ANGLES

The information herein is the property of California Data Processors. Transmittal, use or possession of the information does not convey, license, or any other rights to use, sell, or manufacture from its information and no reproduction or publication of it, in whole or in part, shall be made without written authorization from an officer of the above firm.

REVISIONS				
REV.	NO.	DESCRIPTION	DATE	APPD.
SEE SHEET 1				

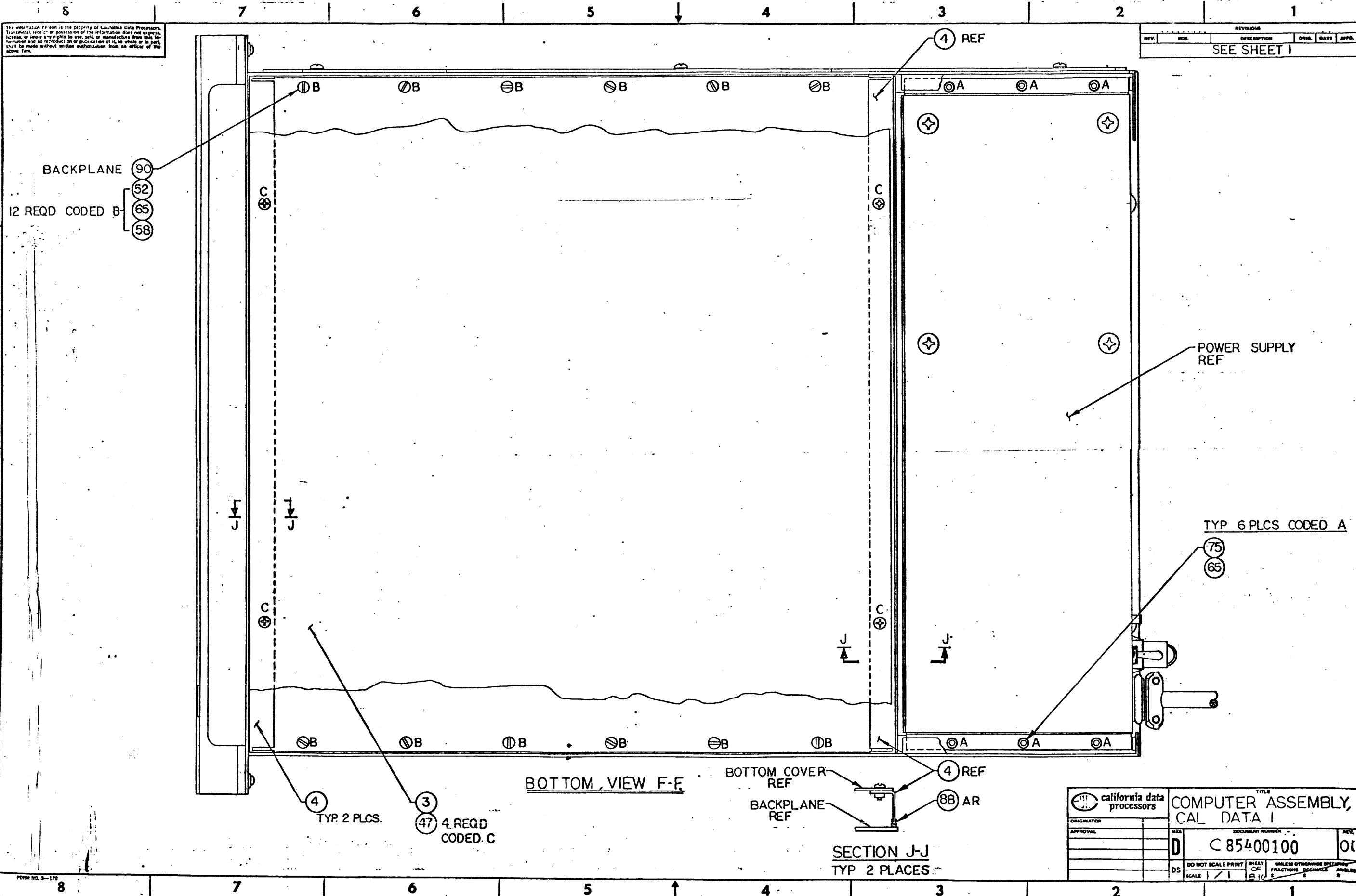


NOTE: BOARD ASSEMBLIES ARE SHOWN BY NAME MOUNTED IN THEIR IDEAL LOCATION.

california data processors		TITLE COMPUTER ASSEMBLY, CAL DATA I	
ORIGINATOR	APPROVAL	SIZE D	DOCUMENT NUMBER C85400100
DO NOT SCALE PRINT SCALE <input type="checkbox"/>		SHEET OF 7 10	UNLESS OTHERWISE SPECIFIED FRACTIONS DECIMALS ANGLES 1/2 1/10 1/16

The information herein is the property of California Data Processors. Transmittal, use or possession of the information does not express, license, or imply any right to use, sell, or manufacture from this information and no reproduction or publication of it, in whole or in part, shall be made without written authorization from an officer of the above firm.


REVISIONS				
REV.	NO.	DESCRIPTION	DATE	APPD.
SEE SHEET I				



california data processors		TITLE COMPUTER ASSEMBLY, CAL DATA I	
ORIGINATOR		SIZE	DOCUMENT NUMBER
APPROVAL		D	C 85400100
		REV.	01
DS	DO NOT SCALE PRINT	SHEET	UNLESS OTHERWISE SPECIFIED
	SCALE 1/1	OF	FRACTIONS, DECIMALS & ANGLES

LIST OF MATERIALS


ITEM NO.	QTY. REQD.	REFERENCE DESIGNATION	PART NUMBER	DESCRIPTION	NOTES	VENDOR	VENDOR PART NUMBER
1	1		C67680013	CHASSIS			
2	1		C67680015	COVER TOP			
3	1		C67680030	COVER BOTTOM			
4	2		C67680028	BRACKET, BACKPLANE SUPPORT			
5	1		C67680029	BRACKET, STRAIN RELIEF - I/O			
6	1		C67680026	BEZEL			
7	1		C67680034	CARD GUIDE, FRONT RIGHT			
8	1		C67680035	CARD GUIDE, FRONT LEFT			
9	1		C67680037	CARD GUIDE, REAR RIGHT			
10	1		C67680038	CARD GUIDE, REAR LEFT			
11							
12	1		C67680039	OVERLAY			
13	1		C67680042	CHASSIS SLIDE, RIGHT	5		
14	1		C67680043	CHASSIS SLIDE, LEFT			
15							
16							
17							
18							
19	1		C62844210	LABEL, I.D.			
20	1		C62842254	LABEL, GND.		ACCURATE TAPE	3067-2
21							
22							
23	2		C61824100	TIE WRAP ANCHOR		T & B	TC105A
24	A/R		C31518000	SOLVENT		T & B	TC-110
25							
26							
27							
28							
29							
30	1		C81080180	BOARD ASSY, ENGINE NO. 1	INSTALL IN SLOT J4		
31	1		C81080300	BD. ASSY, MACROBUS CHAN ADPTR	INSTALL IN SLOT J2		
32	2		C81080130	BOARD ASSY, CPU INTERCONNECT			
33	A/R		C66080120	BUS GRANT CONTINUITY P.W.BOARD	3		
34	1		C81080310	BOARD ASSY, MACROPANEL	INSTALL IN SLOT J1		
35	1		C81080050	BOARD ASSY, TERMINATOR	INSTALL IN SLOT J17A/B		
36							
37							
38	1		C85300046	CABLE ASSEMBLY, FAN POWER			
39							
40	1		C85300207	CABLE ASSEMBLY, MACROPANEL			
41							
42							
43							
44							
45							
46							
47	30		C61412561	SCREW, FLAT HD. #6 X 1/4, 82°			
48	2		C61451035	SCREW, BINDER HD.#6 X 1/4			
49	6		C61431059	SCREW, PAN HD. #6 X 1/4			
50	16		C61431065	SCREW, PAN HD. #6 X 3/4			
51	4		C61431080	SCREW, PAN HD. #8 X 3/8			


ORIGINATOR <i>P. Henderson</i>	8-5-74	 california data processors	TITLE COMPUTER ASSEMBLY, CAL DATA 1
APPROVAL <i>P. Henderson</i>	8-23-74		DOCUMENT NUMBER C85400100
<i>P. Henderson</i>	8-23-74		REV. 01
<i>J. Deane R. Edwards</i>	8-23-74		
<i>P. J. G. G.</i>	8-23-74		
FORM NO. 3-172		SIZE B	DS SHEET 9 OF 10 PAGE

LIST OF MATERIALS

ITEM NO.	QTY. RECD.	REFERENCE DESIGNATION	PART NUMBER	DESCRIPTION	NOTES	VENDOR	VENDOR PART NUMBER
52	12		C61431087	SCREW, PAN HD. #8 X 1-1/4			
53	2		C61431063	SCREW, PAN HD. #6 X 1/2			
54							
55							
56							
57							
58	16		C61212014	WASHER, FLAT #8			
59	1		C61212016	WASHER, FLAT #10			
60							
61							
62							
63							
64	22		C61241110	WASHER, INT. TOOTH #6			
65	22		C61241112	WASHER, INT. TOOTH #8			
66	1		C61241115	WASHER, INT. TOOTH #10			
67							
68							
69							
70							
71	16		C61532008	NUT, HEX #6			
72	1		C61532012	NUT, HEX #10			
73							
74							
75	6		C61511325	SCREW, SOCKET HD. CAP 8-32 X 3/8			
76							
77							
78							
79							
80	2		C56262104	TIE-WRAP		PANDUIT	SST-1-M
81							
82							
83							
84	1		C61825100	CABLE HANGER		RICHO	CH-1
85							
86							
87							
88	A/R		C33115010	GROMMET, CONTINUOUS		RICHO	PGS-2

ITEMS 1 THRU 88 ARE COMMON TO ALL UNITS, ITEMS 89 AND SUBS MUST BE SELECTED TO AGREE WITH THE MARKETING CODE DEFINED IN CONFIGURATION SPECIFICATION C22285009.


89	1		C419XXXXX	EMULATION BOARD SET			
90	1		C8108XXXX	BACKPLANE ASSEMBLY			
91			C853XXXXX	POWER CABLE ASSEMBLY			
92	1		C855XXXXX	POWER SUPPLY ASSEMBLY			
93							
94							
95							
96							
97							
98							
99							

ORIGINATOR APPROVAL		TITLE COMPUTER ASSEMBLY, CAL DATA 1	REV. 01
		SIZE B	DOCUMENT NUMBER C85400100
		DS	SHEET 10 OF 10 PAGE

ENGINEERING SPECIFICATION

CAL DATA 1
COMPUTER ASSEMBLY
CONFIGURATION SPECIFICATION

The information hereon is the property of California Data Processors. Transmittal, receipt or possession of the information does not express, license, or imply any rights to use, sell, or manufacture from this information and no reproduction or publication of it, in whole or in part, shall be made without written authorization from an officer of the above firm.

DESIGNATION	8-20-74	 california data processors	TITLE CAL DATA 1 COMPUTER ASSEMBLY CONFIGURATION SPECIFICATION	
APPROVAL	8-23-74		SIZE A	DOCUMENT NUMBER C22285009
	8-23-74		DS SHEET 1 OF 11	PAGE
	8-23-74			
	8-23-74			

ENGINEERING SPECIFICATION

TABLE OF CONTENTS

		<u>Page</u>
1.0	SCOPE	3
2.0	APPLICABLE DOCUMENTS.	3
3.0	EQUIPMENT CONFIGURATION	3
3.1	Marketing Code Definition	4
3.2	Emulation Board Set Selection	5
3.3	Backplane Selection	7
3.4	Power Supply Selection.	9
3.5	Unit Identification	10
3.6	Options	10

ENGINEERING SPECIFICATION

1.0 SCOPE

This Specification defines the various configurations of the Cal Data 1 Computer Assembly.

2.0 APPLICABLE DOCUMENTS

In addition to the Cal Data documents referenced in the configuration description of this Specification, the following document provides additional information.

Cal Data Document No.	Title
C22283002	Cal Data 1 Shipping Preparation


3.0 EQUIPMENT CONFIGURATION

The configuration of a Cal Data 1 Computer Assembly requires three basic steps:


1. Emulation Board Set Selection
2. Backplane Selection (and associated power cable)
3. Power Supply Selection

These three steps are described in Sections 3.2, 3.3 and 3.4, respectively.

The information hereon is the property of California Data Processors. Transmittal, receipt or possession of the information does not express, license, or imply any rights to use, sell, or manufacture from this information and no reproduction or publication of it, in whole or in part, shall be made without written authorization from an officer of the above firm.

ORIGINATOR		 california data processors	TITLE		
APPROVAL			CAL DATA 1 COMPUTER ASSEMBLY CONFIGURATION SPECIFICATION		
			SIZE	DOCUMENT NUMBER	REV.
			A	C22285009	01
			DS	SHEET 2 OF 11	PAGE

The information hereon is the property of California Data Processors. Transmittal, receipt or possession of the information does not express, license, or imply any rights to use, sell, or manufacture from this information and no reproduction or publication of it, in whole or in part, shall be made without written authorization from an officer of the above firm.

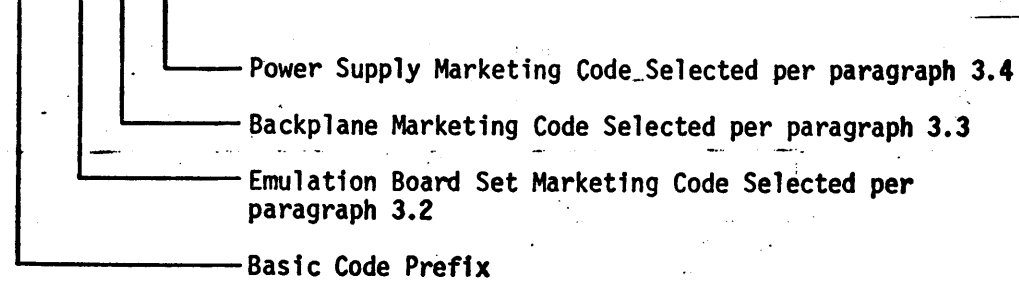
ORIGINATOR		 california data processors	TITLE		
APPROVAL			CAL DATA 1 COMPUTER ASSEMBLY CONFIGURATION SPECIFICATION		
			SIZE	DOCUMENT NUMBER	REV.
			A	C22285009	01
			DS	SHEET 3 OF 11	PAGE

ENGINEERING SPECIFICATION

3.1 Marketing Code Definition

The Marketing Code for a unique configuration consist of a four-part code number, separated by dashes.

85009-XX-XX-XX



The Basic Marketing Code prefix contains the mechanical chassis, basic CPU, MACROBUS Channel Adapter, cooling devices, Macropanel and MACROBUS Terminator.

All items per a unique configuration are assembled per Cal Data Document C85400100.

The information hereon is the property of California Data Processors. Transmittal, receipt or possession of the information does not express, license, or imply any rights to use, sell, or manufacture from this information and no reproduction or publication of it, in whole or in part, shall be made without written authorization from an officer of the above firm.

ORIGINATOR		california data processors	TITLE CAL DATA 1 COMPUTER ASSEMBLY CONFIGURATION SPECIFICATION		
APPROVAL			SIZE A	DOCUMENT NUMBER C22285009	REV. 01
			DS	SHEET 4 OF 11	PAGE

Form 3-190

ENGINEERING SPECIFICATION

3.2 Emulation Board Set Selection

One of the following Emulation Board Sets must be specified per the Marketing Code.

Cal Data Emulation Board Set	Marketing Code	Description
	-00	Reserved
C41900101	-01	Basic 1/35 Emulation
C41900102	-02	Basic 1/35 Emulation with EIS
	-03	Not Assigned
	-04	
	-05	
	-06	
	-07	
	-08	
	-09	
	-10	
	-11	Not Assigned

The information hereon is the property of California Data Processors. Transmittal, receipt or possession of the information does not express, license, or imply any rights to use, sell, or manufacture from this information and no reproduction or publication of it, in whole or in part, shall be made without written authorization from an officer of the above firm.

ORIGINATOR		california data processors	TITLE CAL DATA 1 COMPUTER ASSEMBLY CONFIGURATION SPECIFICATION		
APPROVAL			SIZE A	DOCUMENT NUMBER C22285009	REV. 01
			DS	SHEET 5 OF 11	PAGE


Form 3-190

ENGINEERING SPECIFICATION

3.2 (Continued)

Cal Data Emulation Board Set	Marketing Code	Description
	-12	Not Assigned
	-13	
	-14	
	-15	
	-16	
	-17	
	-18	
	-19	
	-20	
	-21	
	-22	
	-23	
	-24	
	-25	Not Assigned

The information hereon is the property of California Data Processors. Transmittal, receipt or possession of the information does not express, license, or imply any rights to use, sell, or manufacture from this information and no reproduction or publication of it, in whole or in part, shall be made without written authorization from an officer of the above firm.

ORIGINATOR		 california data processors	TITLE		
APPROVAL			CAL DATA 1 COMPUTER ASSEMBLY CONFIGURATION SPECIFICATION		
			SIZE	DOCUMENT NUMBER	REV.
			A	C22285009	01
			DS	SHEET 6 OF 11	PAGE

Form 3- 190


ENGINEERING SPECIFICATION

3.3 Backplane Selection

One of the following Backplanes and its associated power cable must be selected per the Marketing Code.

Cal Data Part Number	Marketing Code	Description	Power Cable Cal Data Part Number
	-00	Reserved	
C81080340	-01	Standard 18 Slot Backplane with special 4 Slot I/O provision	C85300057
	-02	Not Assigned	
	-03		
	-04		
	-05		
	-06		
	-07		
	-08		
	-09		
	-10		
	-11	Not Assigned	

The information hereon is the property of California Data Processors. Transmittal, receipt or possession of the information does not express, license, or imply any rights to use, sell, or manufacture from this information and no reproduction or publication of it, in whole or in part, shall be made without written authorization from an officer of the above firm.

ORIGINATOR		 california data processors	TITLE		
APPROVAL			CAL DATA 1 COMPUTER ASSEMBLY CONFIGURATION SPECIFICATION		
			SIZE	DOCUMENT NUMBER	REV.
			A	C22285009	01
			DS	SHEET 7 OF 11	PAGE


Form 3- 190

ENGINEERING SPECIFICATION

3.3 (Continued)

Cal Data Part Number	Marketing Code	Description	Power Cable Cal Data Part Number
	-12	Not Assigned	
	-13		
	-14		
	-15		
	-16		
	-17		
	-18		
	-19		
	-20		
	-21		
	-22		
	-23		
	-24		
	-25	Not Assigned	

The information hereon is the property of California Data Processors. Transmittal, receipt or possession of the information does not express, license, or imply any rights to use, sell, or manufacture from this information and no reproduction or publication of it, in whole or in part, shall be made without written authorization from an officer of the above firm.

ORIGINATOR	 california data processors	TITLE		
APPROVAL		CAL DATA 1 COMPUTER ASSEMBLY CONFIGURATION SPECIFICATION		
		SIZE	DOCUMENT NUMBER	REV.
		A	C22285009	01
		DS	SHEET 8 OF 11	PAGE

Form 3-190


ENGINEERING SPECIFICATION

3.4 Power Supply Selection

One of the following power supplies must be selected per the Marketing Code.

Cal Data Part Number	Marketing Code	Description
	-00	
C85500018	-01	Power Supply Assembly, 115 V, 36 Amp
C85500019	-02	Power Supply Assembly, 208 V, 36 Amp
C85500020	-03	Power Supply Assembly, 230 V, 36 Amp
C85500021	-04	Power Supply Assembly, 230 V, 36 Amp-European
	-05	Not Assigned
	-06	
	-07	
	-08	
	-09	
	-10	
	-11	
	-12	
	-13	
	-14	
	-15	
	-16	
	-17	
	-18	Not Assigned

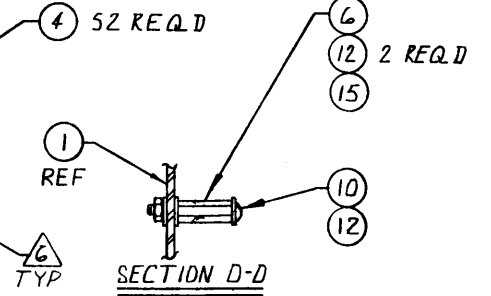
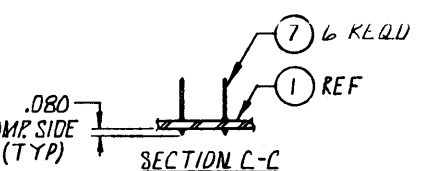
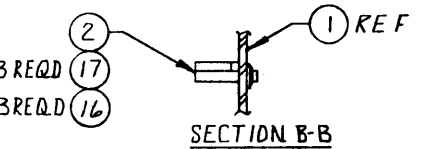
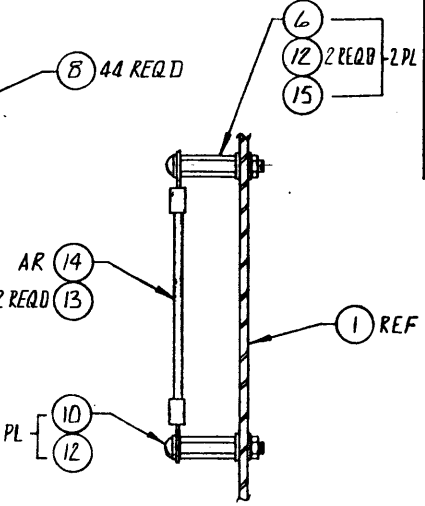
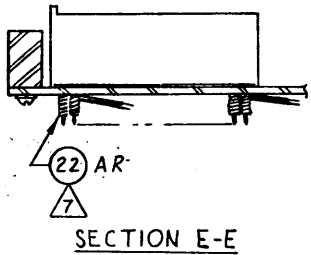
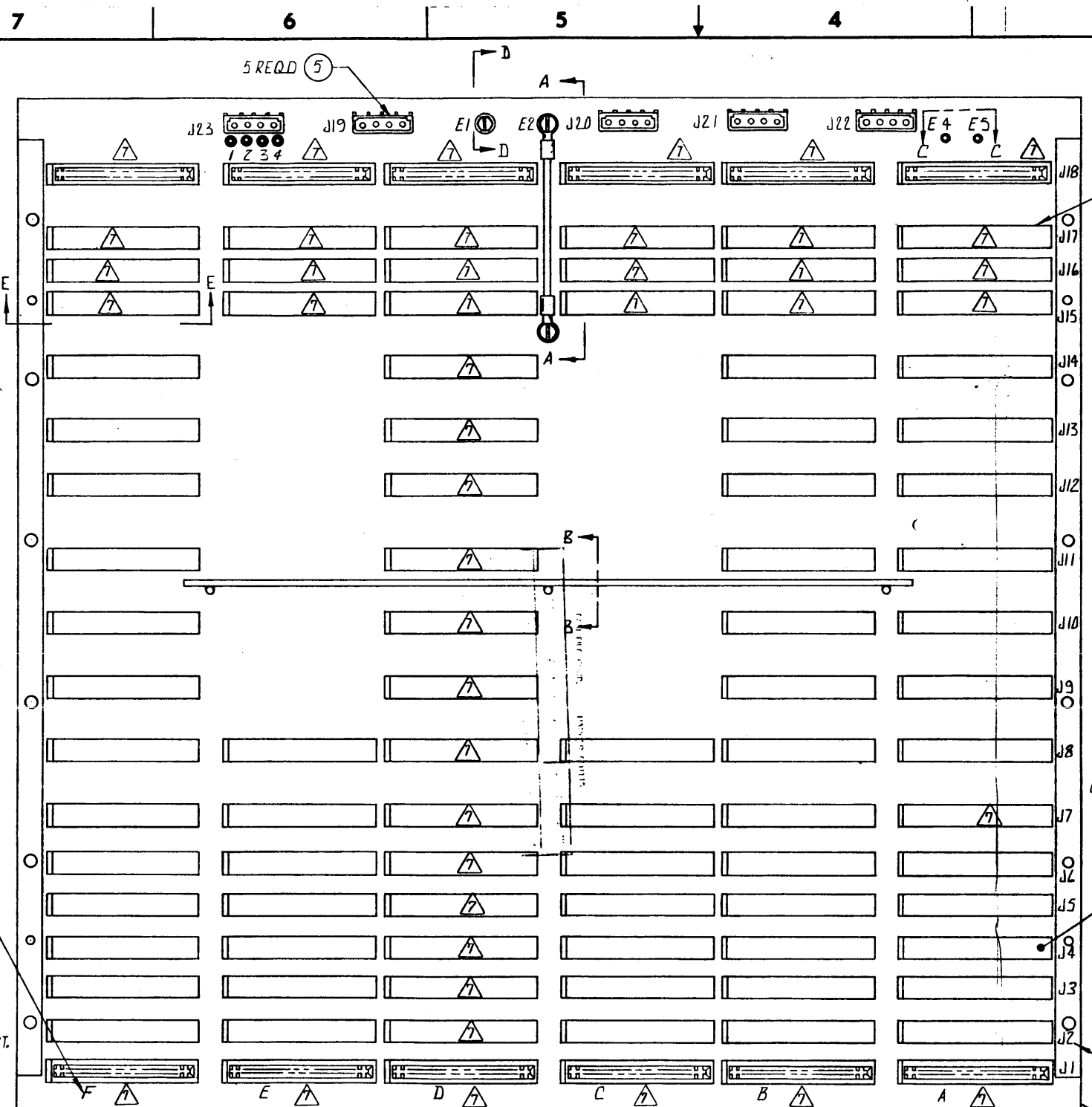
The information hereon is the property of California Data Processors. Transmittal, receipt or possession of the information does not express, license, or imply any rights to use, sell, or manufacture from this information and no reproduction or publication of it, in whole or in part, shall be made without written authorization from an officer of the above firm.

ORIGINATOR	 california data processors	TITLE		
APPROVAL		CAL DATA 1 COMPUTER ASSEMBLY CONFIGURATION SPECIFICATION		
		SIZE	DOCUMENT NUMBER	REV.
		A	C22285009	01
		DS	SHEET 9 OF 11	PAGE

Form 3-190

The information herein is the property of California Data Processors. Transmittal, receipt or possession of the information does not express, license, or imply any rights to use, sell, or manufacture from this information and no reproduction or publication of it, in whole or in part, shall be made without written authorization from an officer of the above firm.

RELEASE STATUS			REVISIONS				
RELEASE LEVEL	APPROVED	DATE	REV.	ECO.	DESCRIPTION	ORIG. DATE	APP.
EXPERIMENTAL			01	0	DRN DS00166	CK 04-74	AR
ENGINEERING							
PRODUCTION							



- 8 FOR TEST SPECIFICATION SEE C2243013.
- ▲ CODED CONNECTORS ARE WIRE WRAP.
- △ DESIGNATIONS ARE SHOWN FOR REFERENCE ONLY & MAY NOT APPEAR ON PART.
- 5. FOR SCHEMATIC SEE C21080340.
- 4. FOR PRODUCT SPECIFICATION C22410014.
- ③ SERIAL NUMBER TO BE PREFIXED WITH A DIVISION CODE WITH PLACE OF MANUFACTURE: DS EQUAL-SANTANA DE EQUAL-E DINA
- △ MARK ASSY. NUMBER LATEST REV. LETTER, SERIAL NUMBER AND EIA DATE CODE. LETTERING TO BE .12 HIGH BLACK EPOXY FAINT, VERITAL GOTHIC AND LOCATED APPROX. AS SHOWN.
- 1. FABRICATE PER CAL DATA SPEC. C21100010 & C22270100.

NOTES: UNLESS OTHERWISE SPECIFIED

ITEM	PART NO.	QTY.	DESCRIPTION
	california data processors		BOARD ASSY BACKPLANE CPU I/O
ORIGINATOR			
APPROVAL			
DATE			
SIZE			
DOCUMENT NUMBER			

81080340

3 PLACE	2 PLACE	ANGLES
2.00	2.02	120° 30'

8

7

6

5

4

3

2

1

The information herein is the property of California Data Processors. Transmittal, receipt, or possession of the information does not express, convey, or imply a right to use, sell, or manufacture from this information and no reproduction or publication of it, in whole or in part, shall be made without written authorization from an officer of the above firm.


REVISIONS				
REV.	ECO.	DESCRIPTION	ORIG.	DATE
SEE SHEET 1				

CUT ETCH 7 PLACES

15.800
REF

16.525
REF

SOLDER SIDE SHOWN

 california data processors	TITLE BOARD ASSY BACKPLANE CPU & I/O		
	ORIGINATOR APPROVAL	SIZE D	DOCUMENT NUMBER C81030340
DO NOT SCALE PRINT		SHEET 2 of 4	UNLESS OTHERWISE SPECIFIED FRACTIONS DECIMALS ANGLES

FORM NO. 2-170

8

7

6

5

4

3

2

1

Type 2

8

7

6

5

4

3

2

1

The information herein is the property of California Data Processors. Transmittal, receipt or possession of the information does not express, license, or imply any rights to use, sell, or manufacture from this information and no reproduction or publication of it, in whole or in part, shall be made without written authorization from an office of the above firm.

REVISIONS				
REV.	NO.	DESCRIPTION	ORIG.	DATE
		SEE SHEET 1		

WIRE TAB LISTING

ORIGIN	DESTINATION	FUNCTION
J18BH2	J18EH2	A00-L
J18BH1	J18EH1	A01-L
J18BJ2	J18EF1	A02-L
J18BJ1	J18EV2	A03-L
J18BK2	J18EU2	A04-L
J18BK1	J18EV1	A05-L
J18BL2	J18EU1	A06-L
J18BL1	J18EP2	A07-L
J18BM2	J18EN2	A08-L
J18BM1	J18E1	A09-L
J18BN2	J18EP1	A10-L
J18BN1	J18EL1	A11-L
J18BP2	J18EC1	A12-L
J18BP1	J18EK2	A13-L
J18BR2	J18EK1	A14-L
J18BR1	J18ED2	A15-L
J18BS2	J18EE2	A16-L
J18BS1	J18ED1	A17-L
J18AC1	J18CS2	D00-L
J18AD2	J18CR2	D01-L
J18AD1	J18CU2	D02-L
J18CU2	J18FE2	D02-L
J18AE2	J18CT2	D03-L
J18CT2	J18FL1	D03-L
J18AE1	J18CN2	D04-L
J18CN2	J18FN2	D04-L
J18AF2	J18CP2	D05-L
J18CP2	J18FP1	D05-L
J18AF1	J18CV2	D06-L
J18CV2	J18FF2	D06-L
J18AH2	J18CM2	D07-L
J18CM2	J18FH1	D07-L
J18AH1	J18CL2	D08-L
J18CL2	J18FK1	D08-L

ORIGIN	DESTINATION	FUNCTION
J18AJ2	J18CK2	D09-L
J18AJ1	J18CJ2	D10-L
J18AK2	J18CH1	D11-L
J18AK1	J18CH2	D12-L
J18AL2	J18CF2	D13-L
J18AL1	J18CE2	D14-L
J18AM2	J18CD2	D15-L
J18AA1	J18DL1	INIT-L
J18AB1	J18FM1	INTR-L
J18AF2	J18FD1	BBSY-L
J18AR2	J18FT2	SACK-L
J18AT2	J18DD2	BR7
J18AU2	J18DE2	BR6
J18BC1	J18DF2	BR5
J18BD2	J18DH2	BR4
J18BT2	J18EF2	CL-L
J18BU1	J18EJ1	SSYN-L
J18EJ1	J18FC1	SSYN-L
J18FC1	J17FC1	SSYN-L
J17FC1	J16FC1	SSYN-L
J16FC1	J15FC1	SSYN-L
J18BU2	J18EJ2	CO-L
J18BV1	J18EE1	MSYN-L
J18CA2	J18DA2	+5V
J18AA2	J18BA2	+5V
J15EB1	J15DV1	SSYN INH-L
J16EB1	J16DV1	SSYN INH-L
J17EB1	J17DV1	SSYN INH-L
J18EB1	J18DV1	SSYN INH-L
J15ES2	J15DF1	SELECT 0-H
J16ES2	J16DF1	SELECT 0-H
J17ES2	J17DF1	SELECT 0-H
J18ES2	J18DF1	SELECT 0-H
J15ET2	J15DJ1	SELECT 2-H

ORIGIN	DESTINATION	FUNCTION
J16ET2	J16DJ1	SELECT 2-H
J17ET2	J17DJ1	SELECT 2-H
J18ET2	J18DJ1	SELECT 2-H
J15ER2	J15DE1	SELECT 4-H
J16ER2	J16DE1	SELECT 4-H
J17ER2	J17DE1	SELECT 4-H
J18ER2	J18DE1	SELECT 4-H
J15ES1	J15DC1	SELECT 6-H
J16ES1	J16DC1	SELECT 6-H
J17ES1	J17DC1	SELECT 6-H
J18ES1	J18DC1	SELECT 6-H
J15EM1	J15DH1	IN-H
J16EM1	J16DH1	IN-H
J17EM1	J17DH1	IN-H
J18EM1	J18DH1	IN-H
J15EN1	J15DD1	OUT LOW-H
J16EN1	J16DD1	OUT LOW-H
J17EN1	J17DD1	OUT LOW-H
J18EN1	J18DD1	OUT LOW-H
J15EM2	J15DK1	OUT HIGH-H
J16EM2	J16DK1	OUT HIGH-H
J17EM2	J17DK1	OUT HIGH-H
J18EM2	J18DK1	OUT HIGH-H
J15FA1	J15DV2	BG OUT B
J16FA1	J16DV2	BG OUT B
J17FA1	J17DV2	BG OUT B
J18FA1	J18DV2	BG OUT B
J15FB1	J15DU2	BG IN A
J16FB1	J16DU2	BG IN A
J17FB1	J17DU2	BG IN A
J18FB1	J18DU2	BG IN A
J15FH2	J15CL1	INTR ENB B
J16FH2	J16CL1	INTR ENB B
J17FH2	J17CL1	INTR ENB B
J18FH2	J18CL1	INTR ENB B
J15FK2	J15CJ1	INTR B
J16FK2	J16CJ1	INTR B

ORIGIN	DESTINATION	FUNCTION
J17FK2	J17CJ1	INTR B
J18FK2	J18CJ1	INTR B
J17DB2	J16DB2	-15VDC
J16DB2	J15DB2	-15VDC
J17FB2	J16FB2	-15VDC
J16FB2	J15FB2	-15VDC
J15FU1	J15DN1	INTR A
J16FU1	J16DN1	INTR A
J17FU1	J17DN1	INTR A
J18FU1	J18DN1	INTR A
J15FV1	J15DM1	INTR ENB A
J16FV1	J16DM1	INTR ENB A
J17FV1	J17DM1	INTR ENB A
J18FV1	J18DM1	INTR ENB A
J15FU2	J15DJ2	BUS BRA
J16FU2	J16DJ2	BUS BRA
J17FU2	J17DJ2	BUS BRA
J18FU2	J18DJ2	BUS BRA
J15FP1	J15DJ2	BUS BRB
J16FP1	J16DJ2	BUS BRB
J17FP1	J17DJ2	BUS BRB
J18FP1	J18DJ2	BUS BRB
J7AU1	J7DU2	NPG
J18CU1	J23E1	+8VRMS
J6DL2	J7DK2	BG-7
J7DL2	J8DK2	BG-7
J7DN2	J8DM2	BG-6
J6DR2	J7DP2	BG-5
J7DR2	J8DP2	BG-5
J6DT2	J7DS2	BG-4
J7DT2	J8DS2	BG-4
J2FE2	J3FE2	CM034-H
J18DT2	J18BE2	BG 4-H
J18DR2	J18BB1	BG 5-H
J18DN2	J18BA1	BG 6-H
J18DL2	J18AV1	BG 7-H
E4	J8DD2	LTC-L

	california data processors		TITLE BOARD ASSY, BACKPLANE CPU & I/O	
	ORIGINATOR APPROVAL	SIZE D	DOCUMENT NUMBER C81080340	REV. 01
DS DO NOT SCALE PRINT		SHEET 3 OF	UNLESS OTHERWISE SPECIFIED FRACTIONS DECIMALS ANGLES	
SCALE NONE				

8

7

6

5

4


3

2

1

LIST OF MATERIALS

ITEM NO.	QTY. REQD.	REFERENCE DESIGNATION	PART NUMBER	DESCRIPTION	NOTES	VENDOR	VENDOR PART NUMBER
1	1		C66080340	P.W. BOARD, BACKPLANE - C.P.U. AND I/O			
2	1		C67680007	SUPPORT BAR, BACKPLANE			
3	2		C67680019	SUPPORT, BACKPLANE			
4	52		C56135000	CONNECTOR, EDGE		WINCHESTER	56135000
5	5	J19 - J23	C56150650	HEADER, PIN, 4 CONTACT		AMP	350211-1
6	3	E1, 2, 3	C61541310	STANDOFF, .25 HEX X .50 LG		AMATOM	9739-B-0832
7	6	E4,5,J23-1 THRU J23-4	C56233152	POST, WIRE WRAP		SAE	CB250-1S
8	44		C56131400	CONNECTOR, WIRE WRAP		WINCHESTER	56131400
9							
10	3		C61431080	SCREW, PAN HD., 8-32 X .375 LG			
11							
12	9		C61241112	WASHER, INT. TOOTH, #8 STD.			
13	2		C56214575	TERMINAL RING, 14-16 AWG #1/4		ETC	B-225-14
14	AR		C37211390	WIRE, 14 AWG, STRANDED, WHT			
15	4		C61532010	NUT, HEX, 8-32			
16	3		C61281030	SPEED NUT, PUSH-ON		TINNERMAN	C12042-017-4
17	3		C61221010	WASHER, FLAT #6 STD., NYLON			
18							
19	4		C61541320	STANDOFF, .25 HEX X .75 LONG			
20	4		C61212010	WASHER, FLAT, #6 STD.		AMATOM	9741-SS-0632
21	4		C61241110	WASHER, INT. TOOTH, #6 STD.			
22	AR		C37002460	WIRE, 30 AWG, YEL		STORM	30-130-1422-YEL

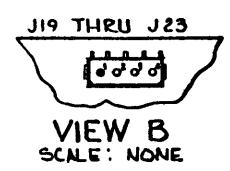
ORIGINATOR <i>C Kennedy</i>	9-4-74	 california data processors	TITLE
APPROVAL <i>W. H. ...</i>	9-10-74		BOARD ASSEMBLY, BACKPLANE - C.P.U. AND I/O
<i>...</i>	9-17-74	SIZE	DOCUMENT NUMBER
<i>...</i>	9-17-74	B	C81080340
<i>...</i>	9-19-74	DS	SHEET 4 OF 4
<i>...</i>	9-19-74		PAGE
<i>...</i>	9/19/74		REV. 01

This information herein is the property of California Data Processors. It is not to be used or disseminated in any form or by any means without written authorization from an officer of the company.

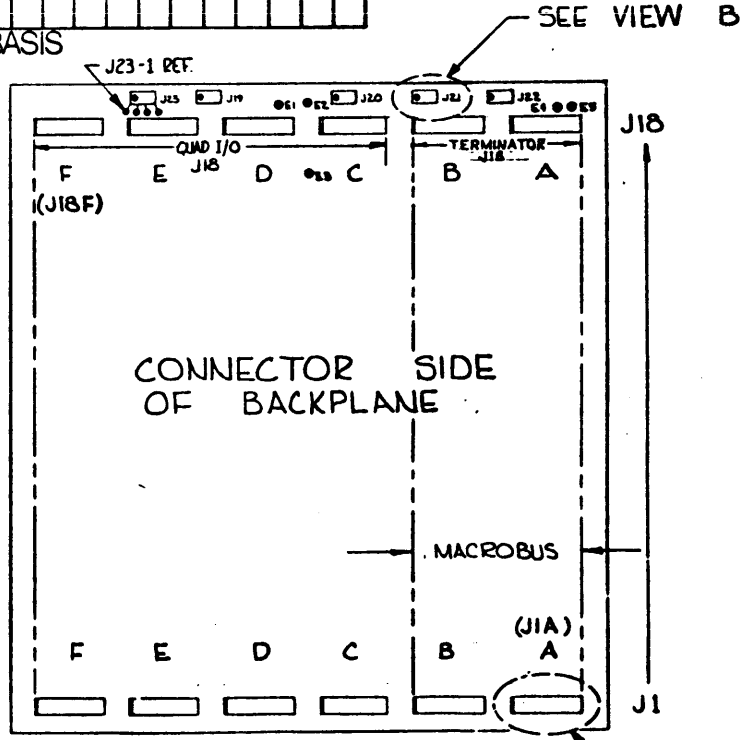
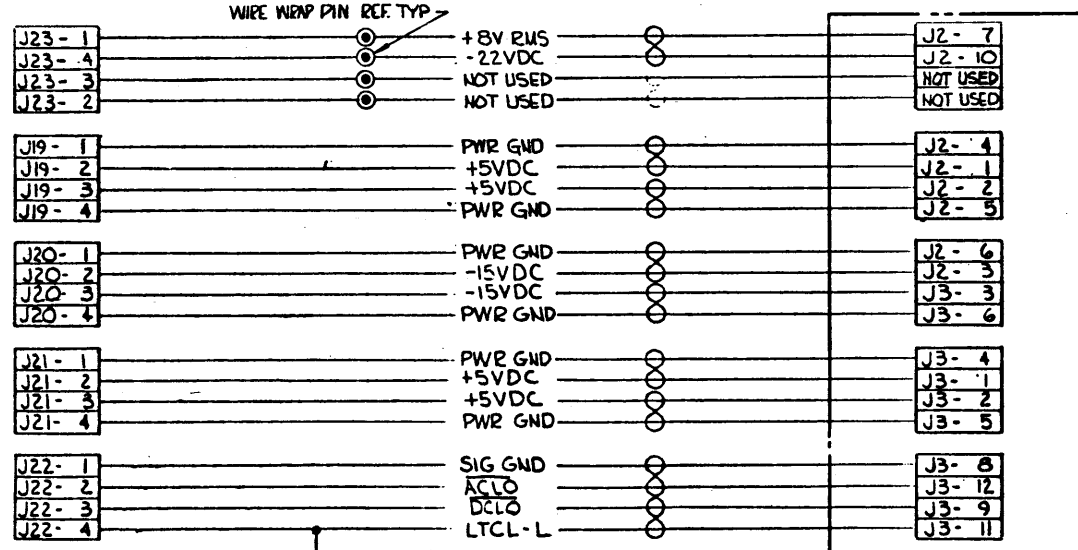
SHEET NUMBERS

1	2	3	4	5	6	7	8	9	10	11	12	13	14	15	16	17	18	19	20	21	22	23	24	25	26	27	28	29	30	31	32	33	34	35	36	37	38	39	40	41	42	43	44	45	46	47	48	49	50			
01	01	01	01	01	01	01																																														

RELEASE STATUS			REVISIONS					
RELEASE LEVEL	APPROVED	DATE	REV	ECO	DESCRIPTION	ORIG.	DATE	APPO
EXPERIMENTAL			01	-	DRN D500177	GW	10/1/74	
ENGINEERING								
PRODUCTION								



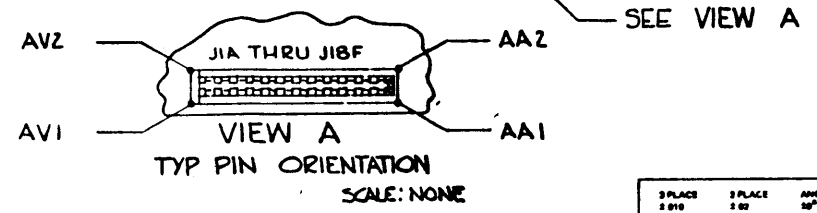
REVISION LOG: REVISIONS TO THIS DOCUMENT WILL BE MAINTAINED ON A PER SHEET BASIS



PRELIMINARY

- 4. MEMORY ADDRESSES SHOWN ARE WITH RESPECT TO BK MODULES.
- 3. ON MACROPANEL ONLY, TERM IS CALLED BG6-IN.
- 2. ON MACROPANEL ONLY, TERM IS CALLED BG6-OUT.
- 1. FOR BOARD ASSEMBLY SEE C81080340.

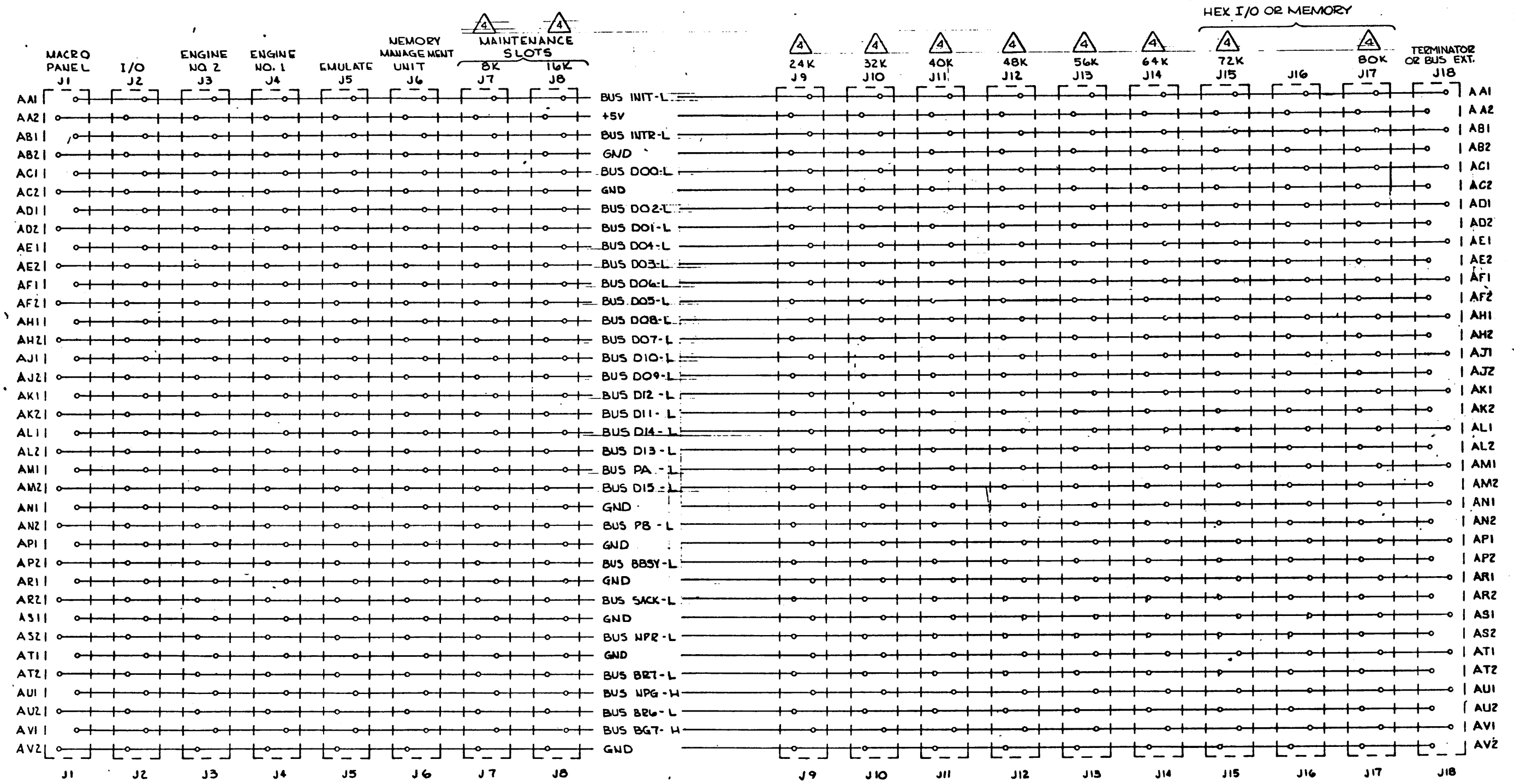
NOTES: UNLESS OTHERWISE SPECIFIED



ITEM	PART NO	QTY	DESCRIPTION
	california data processors		BOARD SCHEMATIC BACKPLANE CPU & I/O
ORIGINATOR	G. WILLIAMS	10-1-74	
APPROVED	R. QUARLES	10-1-74	
REV			01
DOCUMENT NUMBER	C21080340		

The information herein is the property of California Data Processors. Transmittal hereof is for the use of the recipient only. No part of this information is to be reproduced or transmitted in any form or by any means, electronic, mechanical, photocopying, recording, or by any information storage and retrieval system, without the prior written permission of California Data Processors.

REV		DESCRIPTION		DATE	APP
SEE SHEET 1					

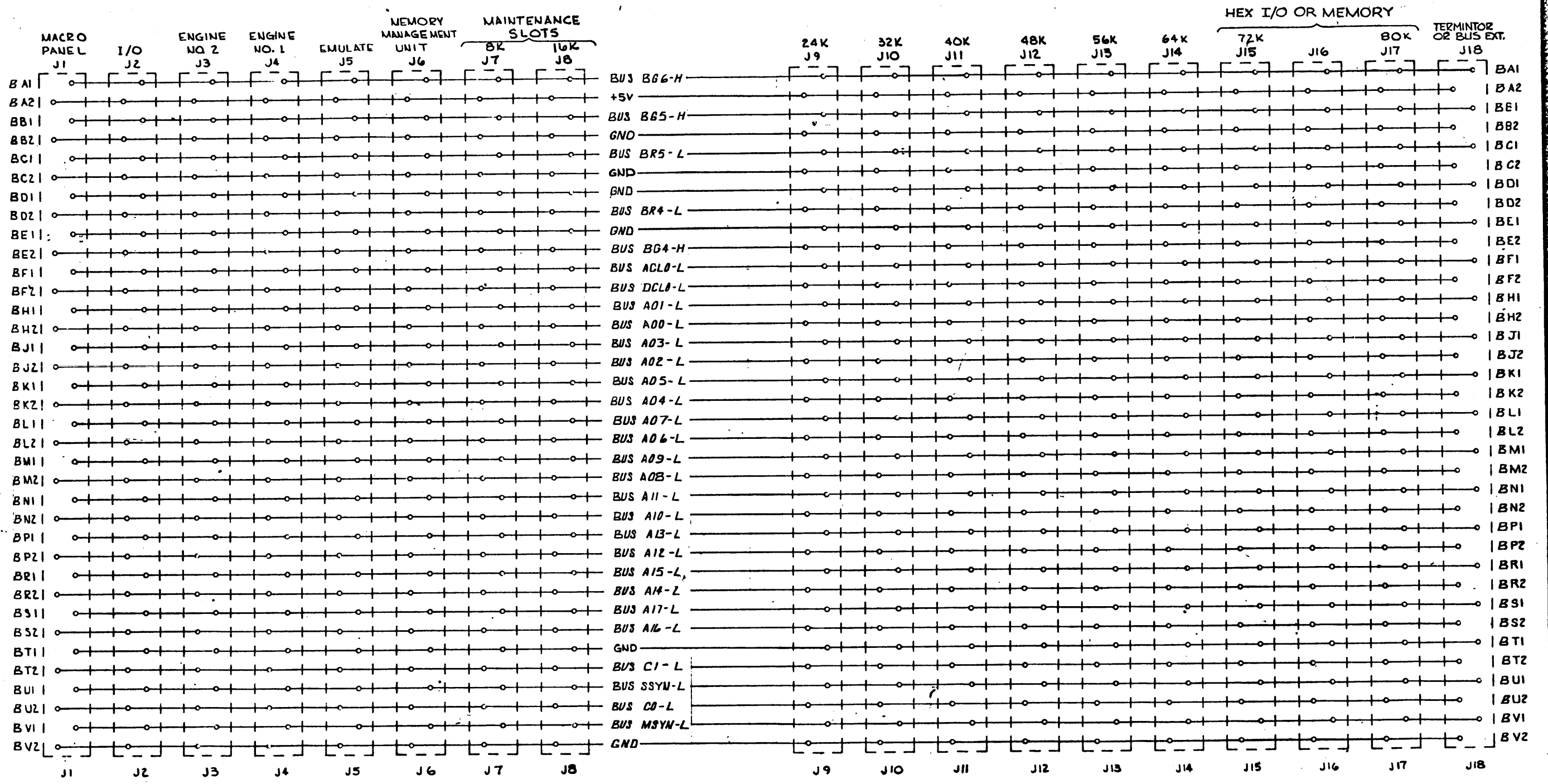


PRELIMINARY

california data processors <small>ORIGINATOR G. WALL AND D. J. W.</small>		TITLE BOARD SCHEMATIC, BACKPLANE CPU & I/O	
APPROVAL 	SIZE D	DOCUMENT NUMBER C21080340	REV. 01
DS DO NOT SCALE PRINT SCALE NONE		SHEET OF 27	UNLESS OTHERWISE SPECIFIED ANGLES

The information herein is the property of California Data Processors. Transmittal, use or publication of this information, or disclosure, or any part thereof to any person, or manufacturer from this information and no reproduction or publication of it, in whole or in part, shall be made without written authorization from an officer of the above firm.

REVISIONS				
REV.	ECO.	DESCRIPTION	DATE	APP.
		SEE SHEET 1		

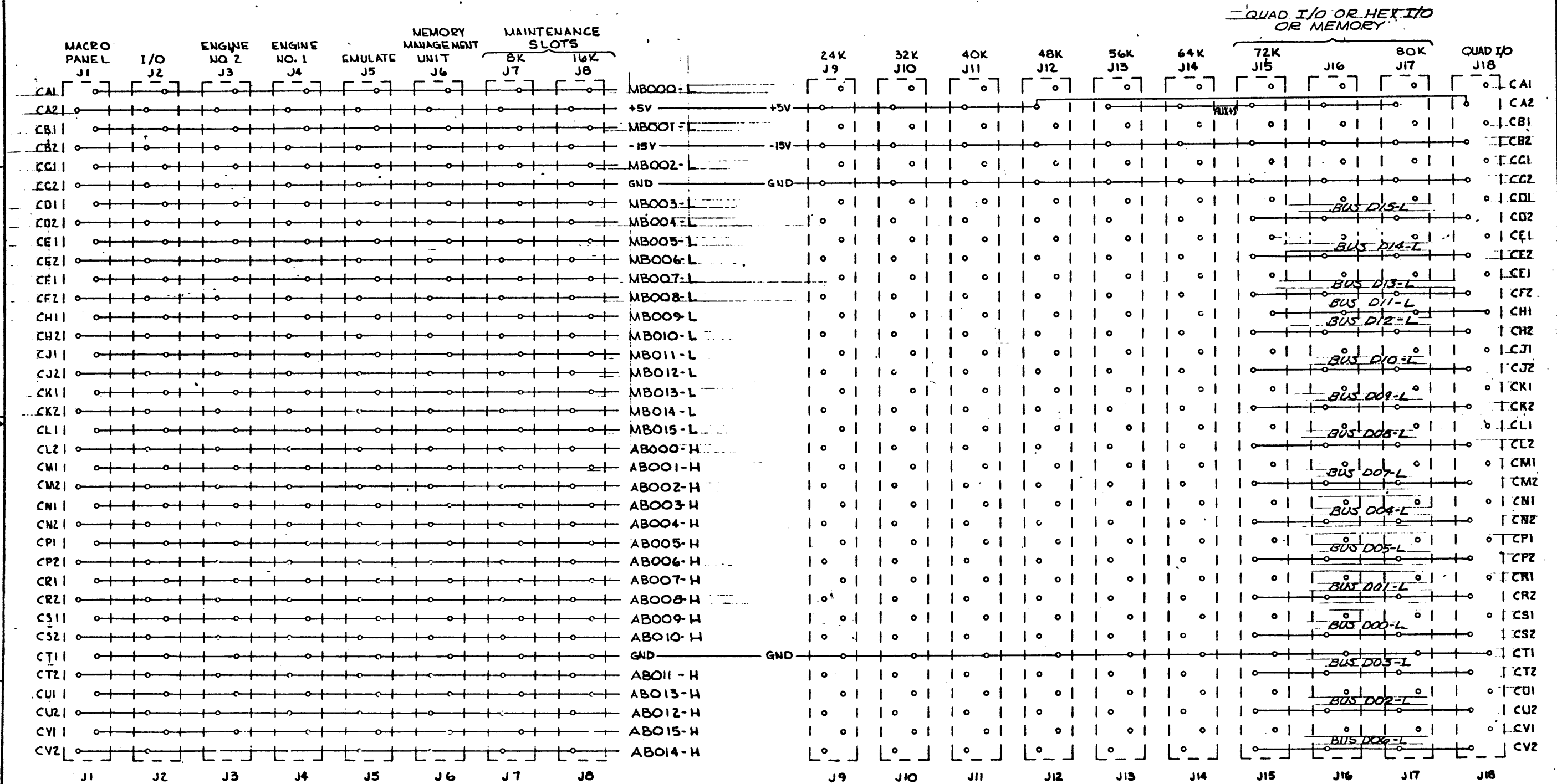


PRELIMINARY

california data processors ORIGINATOR: G. WILLIAMS/D. F. W.	TITLE BOARD SCHEMATIC BACKPLANE CPU & I/O	
	APPROVAL:	SIZE: D
DS: DO NOT SCALE PRINT SCALE NONE	SHEETS: 3 OF 7	REV: 01

The information herein is the property of California Data Processors. Transmission, use or possession of the information does not constitute license, express or implied, to use, sell, or manufacture from this information and no reproduction or publication of it, in whole or in part, shall be made without written authorization from an officer of the above firm.

REVISIONS				
REV.	NO.	DESCRIPTION	DATE	APP.
		SEE SHEET 1		

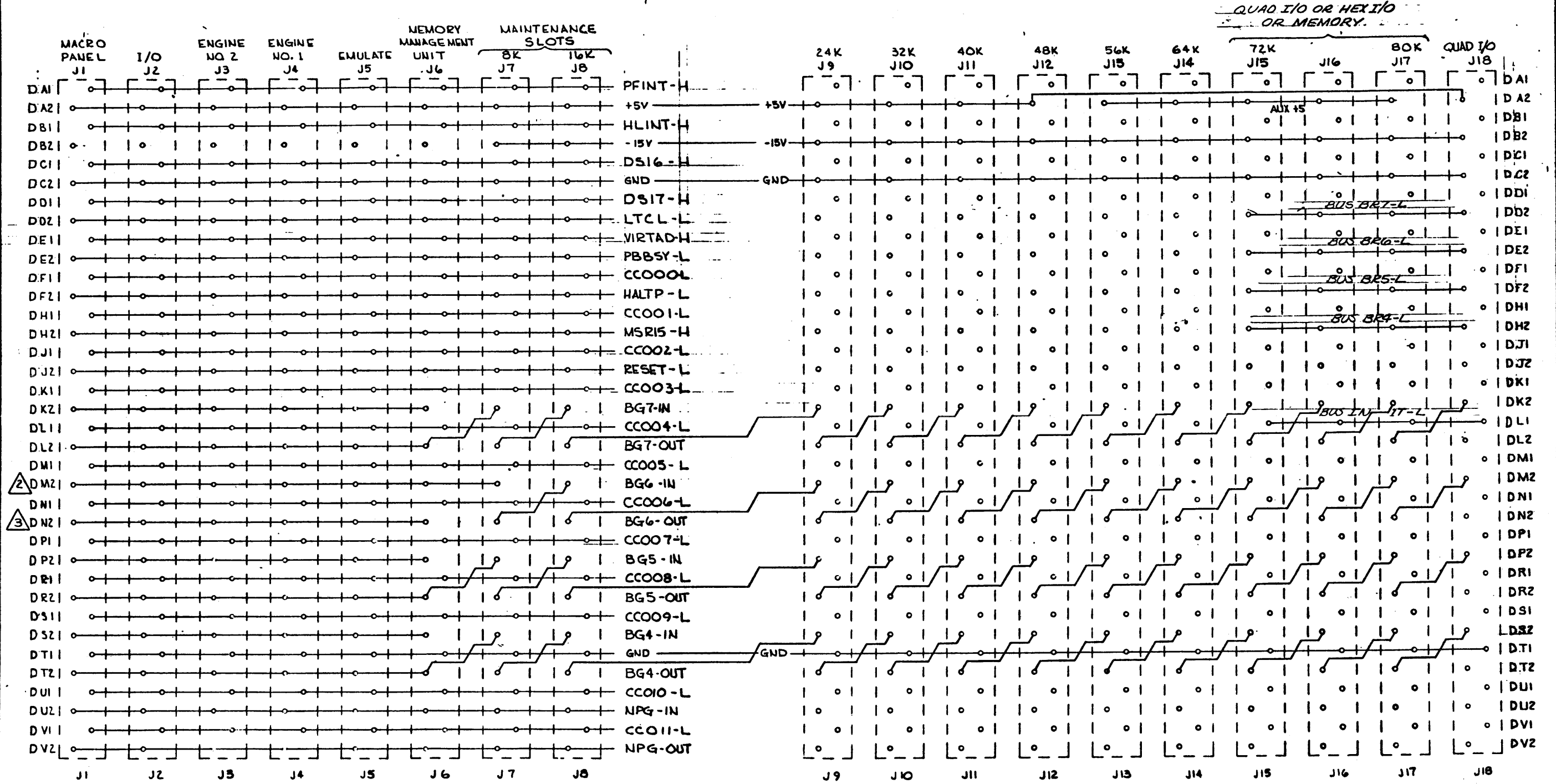


PRELIMINARY

 GENERATOR: G. WILLIAMS 10/77	TITLE: BOARD SCHEMATIC BACKPLANE CPU & I/O	
	APPROVAL:	DOCUMENT NUMBER: D C21080340
DO NOT SCALE PRINT	SHEET 4 OF 7	UNLESS OTHERWISE SPECIFIED, DIMENSIONS ARE IN INCHES

REVISIONS			
REV.	DATE	DESCRIPTION	APP.
1		SEE SHEET 1	

The information herein is the property of California Data Processors. Reproduction or disclosure of this information is prohibited without the written consent of California Data Processors. This information is to be used only for the manufacture of the equipment and no reproduction or publication of it, in whole or in part, shall be made without written authorization from an officer of the above firm.



PRELIMINARY

california data processors ORIGINATOR G. KALLMAN 10/74	TITLE BOARD SCHEMATIC, BACKPLANE CPU & I/O		REV. 01
	APPROVAL _____	SIZE D	
DO NOT SCALE PRINT SCALE NONE		SHEETS OF 5 7	UNLESS OTHERWISE SPECIFIED FRACTIONS DECIMALS ANGLES

8

7

6

5

4

3

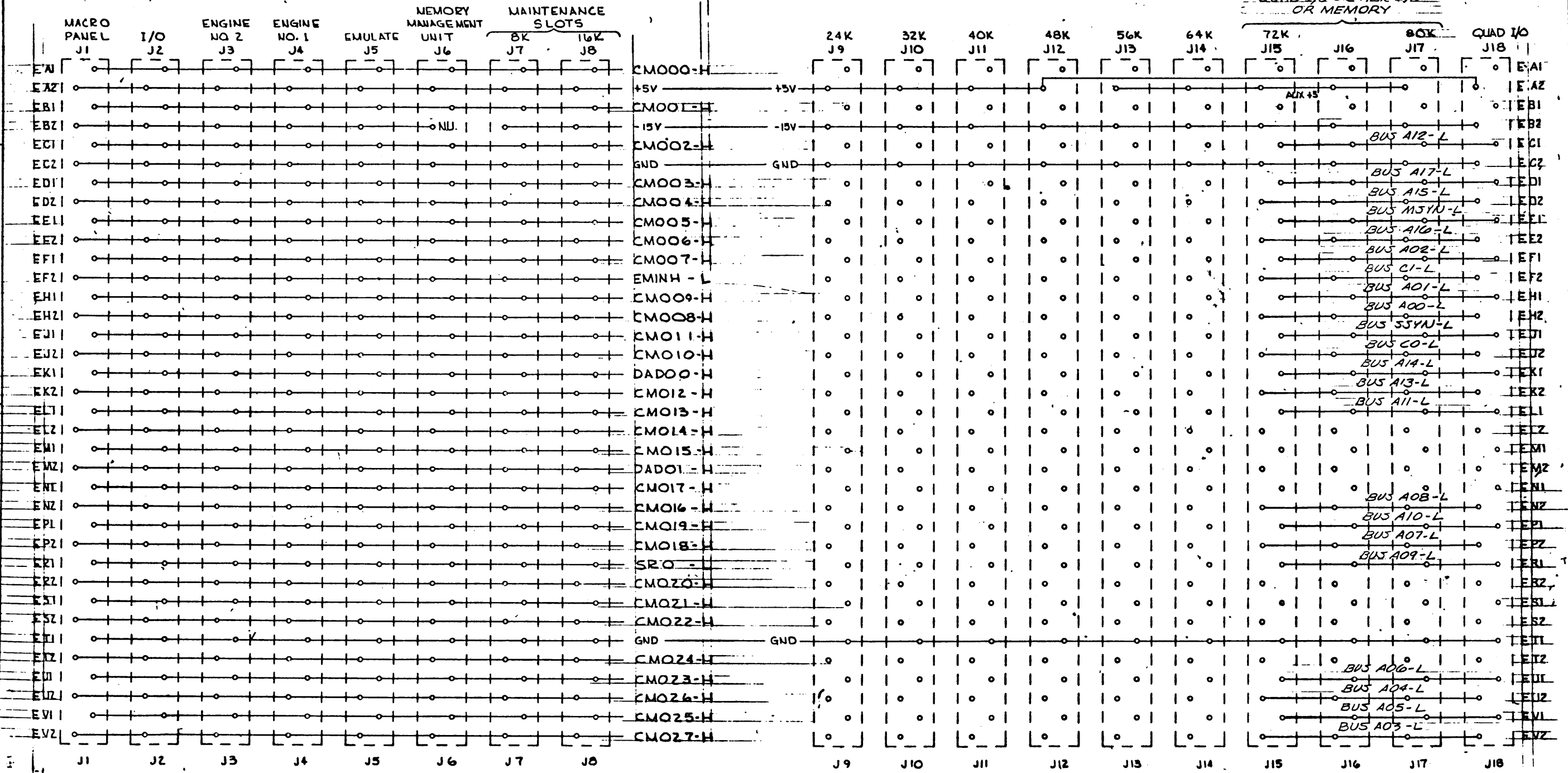
2

1

The information herein is the property of California Data Processors. It is to be used only for the purposes stated and is not to be reproduced, stored in a retrieval system, or transmitted in any form or by any means, electronic, mechanical, photocopying, recording, or by any information storage and retrieval system, without the prior written permission of California Data Processors. This document is to be used only for the purposes stated and is not to be reproduced, stored in a retrieval system, or transmitted in any form or by any means, electronic, mechanical, photocopying, recording, or by any information storage and retrieval system, without the prior written permission of California Data Processors.

REVISION			DATE	APP.
REV.	NO.	DESCRIPTION		
		SEE SHEET 1		

QUAD I/O OR HEX I/O OR MEMORY



PRELIMINARY

		TITLE BOARD SCHEMATIC, BACKPLANE CPU I/O	
OPERATOR G. WILLIAMS/DJW	APPROVAL 	SIZE D	DOCUMENT NUMBER C21080340
DS SCALE NONE	SHEET 67	UNLESS OTHERWISE SPECIFIED FRACTIONS DECIMALS ANGLER	REV. 01

8

7

6

5

4

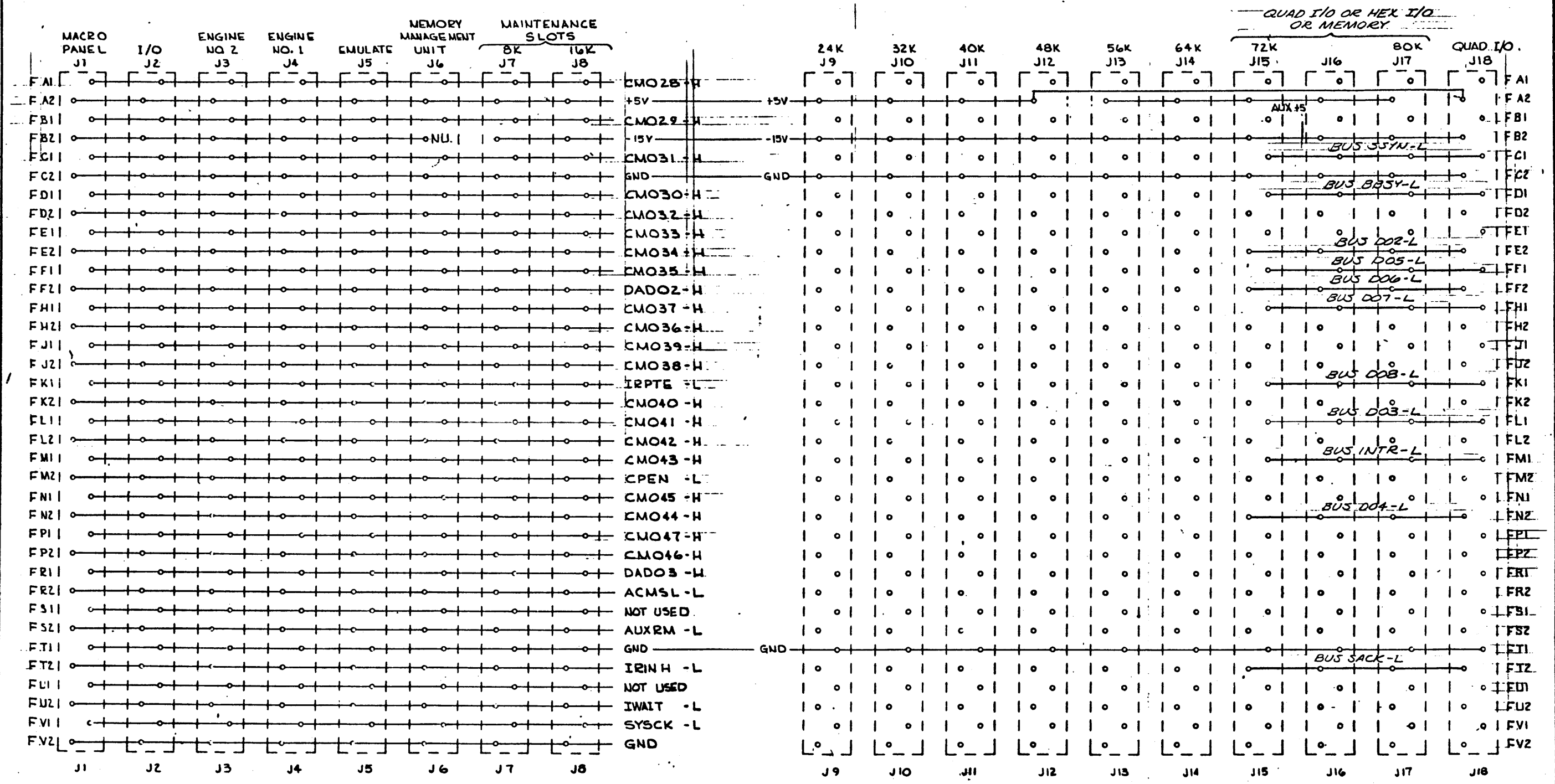
3

2

1

The information herein is the property of California Data Processors. It is to be used only for the specific project for which it was prepared. No part of this information is to be reproduced or published in any form without written permission from an officer of the above firm.

REVISIONS					
REV.	ECO.	DESCRIPTION	ORIG.	DATE	APP.
		SEE SHEET 1			

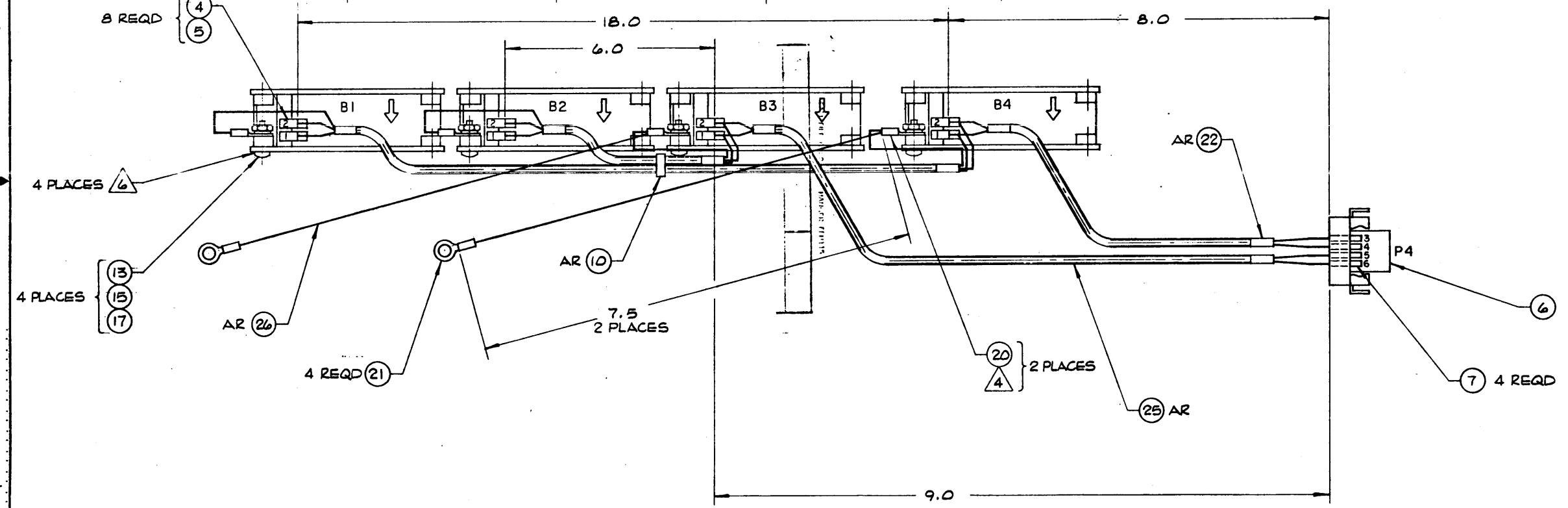
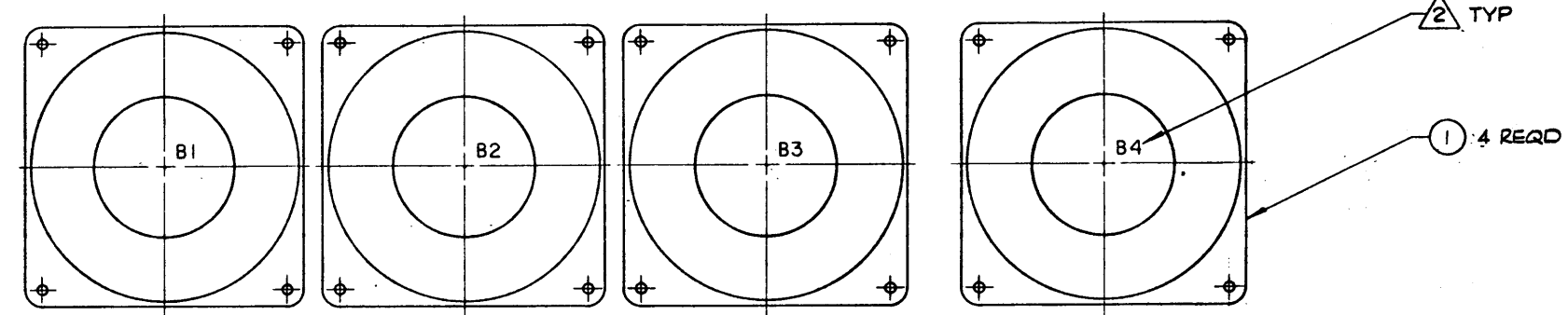


PRELIMINARY

california data processors		TITLE BOARD SCHEMATIC, BACKPLANE CPU & I/O	
ORIGINATOR G. WILKINS 10/74	SIZE D	DOCUMENT NUMBER C21080340	REV. 01
APPROVAL	DS	DO NOT SCALE PRINT SCALE 1/10" = 1"	UNLESS OTHERWISE SPECIFIED FRACTIONS DECIMALS ANGLES

The information herein is the property of California Data Processors. Transmittal, receipt or possession of the information does not express license, or imply any rights to use, sell, or manufacture from this information and no reproduction or publication of it, in whole or in part, shall be made without written authorization from an officer of the above firm.

RELEASE STATUS				REVISIONS				
RELEASE LEVEL	APPROVED	DATE	REV.	ECO.	DESCRIPTION	ORIG.	DATE	APPRO.
EXPERIMENTAL			01		REL PER D2N D500139	REB	6-17-74	US
ENGINEERING					SEE ECO	CK	8-27-74	RB/6
PRODUCTION								



- 6. REMOVE PAINT FROM UNDER HEADS OF SCREWS FASTENING RING LUGS TO ASSURE PROPER ELECTRICAL GROUNDING.
- 5. ALL WIRE SHOWN TERMINATED WITH A RING LUG TO BE 18 AWG WIRE, ITEM 26.
- 4. TWO 18 AWG WIRES ARE INSERTED INTO A COMMON RING LUG, ITEM 20.
- 3. TWO WIRES ARE INSERTED INTO A COMMON TERMINAL, ITEM 5.
- 2. REFERENCE DESIGNATIONS ARE SHOWN FOR REFERENCE ONLY, AND DO NOT APPEAR ON ACTUAL PART.
- 1. MAKE PER DATA 100 SPECIFICATION 22270100.

NOTES: UNLESS OTHERWISE SPECIFIED

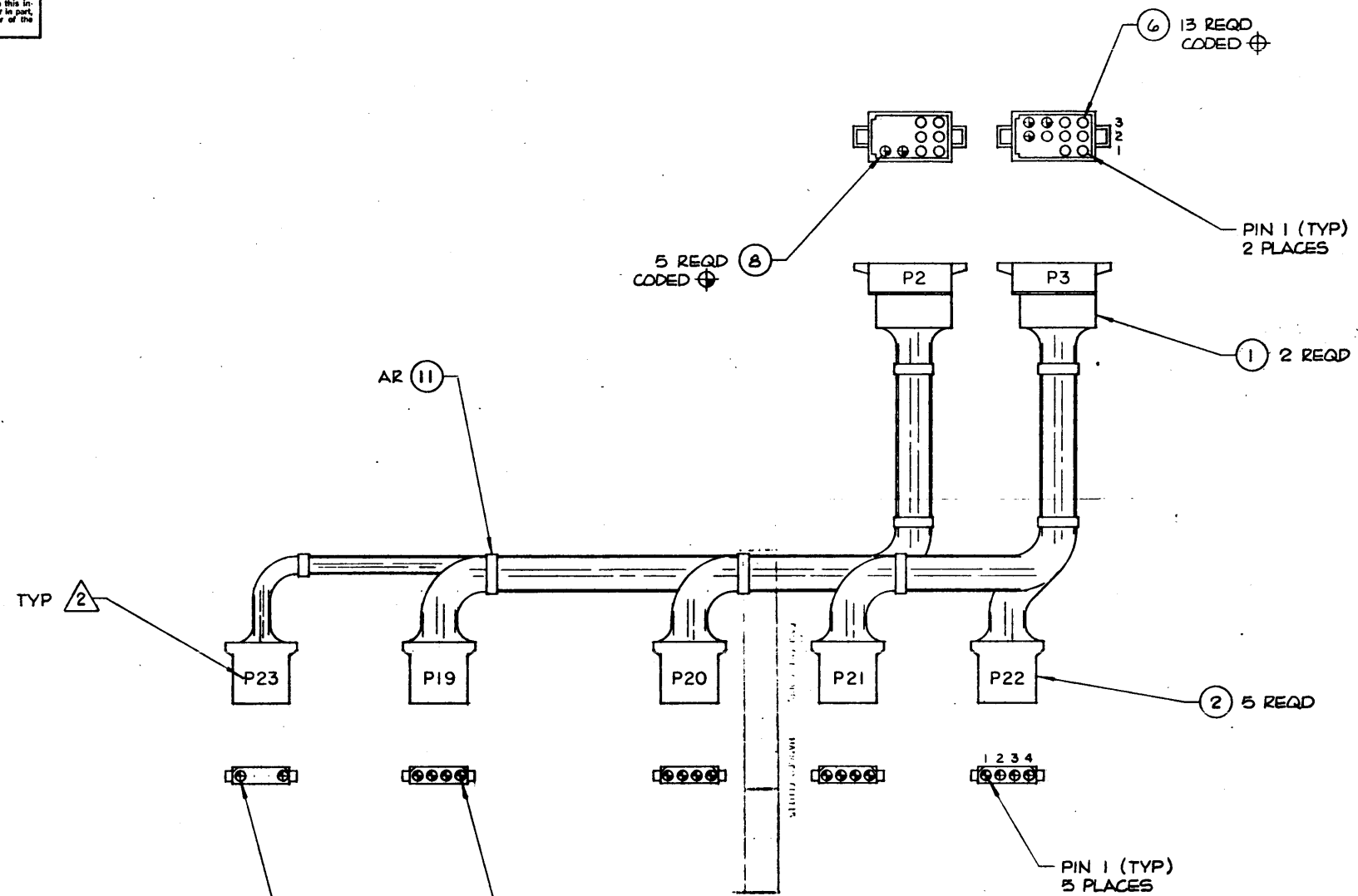
WIRE GAGE	WIRE COLOR	ORIGIN	DESTINATION	REF LENGTH
22	BLK	B3-2	P4-6	9.0
22	BLK	B2-2	B3-2	6.0
22	RED	B3-1	P4-5	9.0
22	RED	B2-1	B3-1	6.0
22	BLK	B4-2	P4-4	8.0
22	BLK	B1-2	B4-2	18.0
22	RED	B4-1	P4-3	8.0
22	RED	B1-1	B4-1	18.0

WIRE TAB LISTING

ITEM	PART NO.	QTY.	DESCRIPTION
california data processors			TITLE
			FAN CABLE ASSEMBLY
ORIGINATOR	BOWMAN	4/12/74	DOCUMENT NUMBER
			C 85300046
APPROVED		6-17-74	REV.
			02
SCALE	NONE	SHEET	1
DO NOT SCALE PRINT			UNLESS OTHERWISE SPECIFIED
			FRACTIONS DECIMALS ANGLES

The information herein is the property of California Data Processors. It is to be used only for the specific project for which it was prepared. No part of this information is to be reproduced or published in any form without written authorization from an officer of the above firm.

RELEASE STATUS				REVISIONS			
RELEASE LEVEL	APPROVED	DATE	REV.	ECO.	DESCRIPTION	ORIG.	DATE
EXPERIMENTAL			01		KEL PER DRN DS00135	K.S.	6-17-74
ENGINEERING			02	DS00159-01	SEE E.C.O.	C.C.	7-24-74
PRODUCTION							



WIRE GAGE	WIRE COLOR	ORIGIN	DESTINATION	FUNCTION	WIRE LENGTH
22	938	P2-10	P23-4	-22 VDC	15.0
22	924	P2-7	P23-1	+2V RMS	15.0
22	90	P3-8	P22-1	SIG GND	7.0
22	912	P3-11	P22-4	LTCL	7.0
22	90	P3-8	P22-1	SIG GND	7.0
22	903	P3-9	P22-3	DCLO	7.0
22	908	P3-12	P22-2	ACLO	7.0
22	90	P3-8	P22-1	SIG GND	7.0
14	90	P3-5	P21-4	PWR GND	8.5
14	91	P3-2	P21-3	+5 VDC	8.5
14	91	P3-1	P21-2	+5 VDC	8.5
14	90	P3-4	P21-1	PWR GND	8.5
14	90	P3-6	P20-4	PWR GND	10.0
18	97	P3-3	P20-3	-15 VDC	10.0
18	97	P2-3	P20-2	-15 VDC	8.5
14	90	P2-6	P20-1	PWR GND	8.5
14	90	P2-5	P19-4	PWR GND	13.0
14	91	P2-2	P19-3	+5 VDC	13.0
14	91	P2-1	P19-2	+5 VDC	13.0
14	90	P2-4	P19-1	PWR GND	13.0

WIRE TAB LISTING

- △ THREE WIRES ARE INSERTED INTO A COMMON CONTACT AT ORIGIN AND DESTINATION.
- 4. WIRE LENGTHS SHOWN ON THIS DRAWING ARE FOR REFERENCE ONLY. FOR ACTUAL LENGTHS REFER TO WIRE TAB LISTING.
- 3. SPOT TIE HARNESS USING TIE WRAP, ITEM 11, AS REQUIRED.
- △ REFERENCE DESIGNATIONS ARE SHOWN FOR REFERENCE ONLY, AND DO NOT APPEAR ON ACTUAL PART.
- 1. MAKE PER DATA 100 SPECIFICATION 22270100.

NOTES: UNLESS OTHERWISE SPECIFIED

ITEM	PART NO.	QTY.	DESCRIPTION
			TITLE
			POWER HARNESS ASSEMBLY
			DOCUMENT NUMBER
			C85300057
			REV.
			02

ORIGINATOR: BOWMAN 6/14/74
 APPROVAL: [Signature] 6-17-74
 [Signature] 6-27-74
 [Signature] 6-27-74


3 PLACE 2.010 2 PLACE 2.02 ANGLES 10° 30'

DO NOT SCALE PRINT
 SCALE NONE SHEET 02 OF 2 UNLESS OTHERWISE SPECIFIED FRACTIONS DECIMALS ANGLES

LIST OF MATERIALS

ITEM NO.	QTY. RECD.	REFERENCE DESIGNATION	PART NUMBER	DESCRIPTION	NOTES	VENDOR	VENDOR PART NUMBER
1	2	P2, P3	C56150668	CONNECTOR, PIN, 12 CONTACT		AMP	1-480278-0
2	5	P19 - P23	C56150654	CONNECTOR, SKT, 4 CONTACT		AMP	1-480424-0
3							
4							
5	13		C56150674	SOCKET, 14-20 GA		AMP	60619-1
6	13		C56150633	PIN, 14-20 GA		AMP	60620-1
7	5		C56150683	SOCKET, 18-22 GA		AMP	60617-1
8	5		C56150684	PIN, 18-22 GA		AMP	60618-1
9							
10							
11	AR		C56262104	TIE WRAP ADJ PLASTIC		ELECTROVERT	EL-A
12							
13	AR		C37435002	WIRE, 14 AWG STRD, WHT/BLK			
14	AR		C37435005	WIRE, 14 AWG STRD, WHT/BRN			
15							
16	AR		C37435011	WIRE, 18 AWG STRD, WHT/VIO			
17							
18	AR		C37435000	WIRE, 22 AWG STRD, WHT/BLK			
19	AR		C37435016	WIRE, 22 AWG STRD, WHT/BLK/ORG			
20	AR		C37435021	WIRE, 22 AWG STRD, WHT/BLK/GRY			
21	AR		C37435022	WIRE, 22 AWG STRD, WHT/BRN/RED			
22	AR		C37435031	WIRE, 22 AWG STRD, WHT/RED/YEL			
23	AR		C37435041	WIRE, 22 AWG STRD, WHT/ORG/GRY			

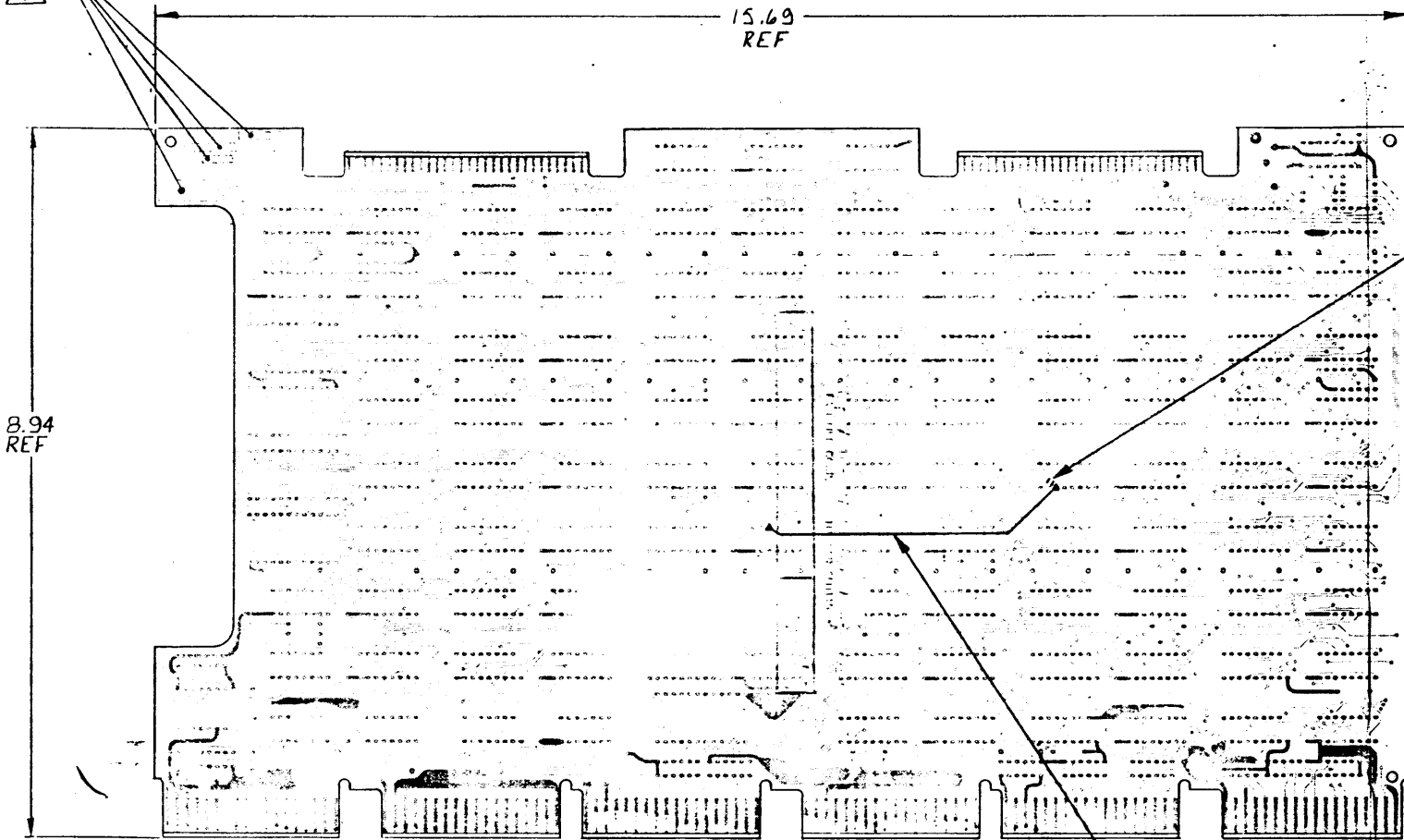
ORIGINATOR *Rus Bowman* 6-14-74
 APPROVAL *W. G. Hunter* 6-17-74
H. K. Gunt 6-17-74
John MacArthur 6-17-74
Russ Bowman 6-17-74
Frank Cox 6/17/74
Z. P. 6/17/74

 california data processors		TITLE POWER HARNESS	
SIZE B	DOCUMENT NUMBER C85300057	SHEET 2 OF 2	REV. 02

The information herein is the property of California Data Processors. Transmission, reproduction or possession of the information herein without express license or implied rights to use, sell, or manufacture from this information and its reproduction or publication of it, in whole or in part, shall be made without written authorization from an officer of the above firm.

REVISIONS					
REV.	ECO.	DESCRIPTION	ORIG.	DATE	APP.
SEE SHEET 1					


NEAR SIDE

JUMPER CHART	
FROM	TO
U33-5	U63-10

SOLDER SIDE SHOWN

Board Assembly Engr. 1

 california data processors	TITLE BOARD ASSY, CAL DATA I/O ENGINE 1	
	ORIGINATOR <i>(Handwritten: Channing B. 307)</i>	REV. D
APPROVAL 	DS 	REV. 06
DO NOT SCALE PRINT SCALE 1/1		SHEET 2 OF 4
UNLESS OTHERWISE SPECIFIED FRACTIONS DECIMALS ANGLES 2 2 2		

LIST OF MATERIALS

ITEM NO.	QTY. REQD.	REFERENCE DESIGNATION	PART NUMBER	DESCRIPTION	NOTES	VENDOR	VENDOR PART NUMBER
1	1		C66080180	PWB, ENGINE NO. 1			
2	3		C67680025	BUS BAR			
3	1	U43	C51322004	I.C. HEX INVERTER		TEX. INST.	SN7404N-00
4	7	U12, 26, U62, 63, U85, 94, U114	C51324004	HEX INVERTER			SN74504N-00
5	2	U44, 112	C51324005	HEX INV. W/OC			SN74505N-00
6	1	U113	C51322000	QUAD 2 NAND			SN7400N-00
7	5	U14, 20, U24, 32, U69	C51324000	QUAD 2 NAND			SN74500N-00
8	2	U30, 103	C51322008	QUAD 2 NAND			SN7408N-00
9	2	U13, 34	C51322010	TRIPLE 3 NAND			SN7410N-00
10	1	U111	C51323011	TRIPLE 3 NAND			SN74H11N-00
11	9	U6, 8, 16, U21, 25, U57, 68, U77, 86	C51324011	TRIPLE 3 NAND			SN74S11N-00
12	1	U2	C51324020	DUAL 4 NAND			SN74S20N-00
13	1	U71	C51323022	DUAL 4 NAND W/OC			SN74H22N-00
14	1	U52	C51322030	8-IN-NAND			SN7430N-00
15	1	U15	C51322042	BCD TO DEC. DECODER			SN7442N-00
16	2	U78, 33	C51323051	DUAL AND-OR-INVERT			SN74151N-00
17	6	U31, 38, U39, 40, U87, 67	C51324064	AND-OR INV.			SN74S64N-00
18	6	U11, 47 U51, 61, U70, 79	C51324065	AND-OR INV. OC			SN74S65N-00
19	1	U60	C51324074	DUAL D F/F			SN74S74N-00
20	1	U81	C51324086	QUAD EXCL. OR/ELCU. OR/NOR			SN74S86N-00
21	1	U115	C43000036	ALU PROM, CAL DATA C5133256			MM6330
22	1	U1	C51322123	DUAL RETRIG MONO MULTIBRTR			SN74123N-00
23	2	U4, 5	C51322145	BCD TO DEC. DECODER			SN74145N-00
24	1	U76	C51322150	16 TO 1 DATA SEL MUX			SN74150N-00
25	13	U29, 48 U58, 73, U82, 88, U89 THRU U93, U101, U102	C51324151	8 TO 1 DATA SEL MUX			SN74S151N-00
26	8	U23, 59, U72, 80, U98, 99, U100, 97	C51324153	DUAL 4 TO 1 DATA SEL MUX			SN74S153N-00
27	2	U3, 50	C51324157	QUAD 2 TO 1 DATA SEL MUX			SN74S157N-00
28	2	U42, 53	C51322161	BINARY COUNTER			SN74161N-00
29	3	U19, 35, U37	C51324174	I.C. HEX D FLIP-FLOP		TEX. INST.	SN74S174N-00

ORIGINATOR <i>P. Smith</i>	7-17-74	TITLE BOARD ASSY, CAL DATA 1/00 ENGINE 1	
APPROVAL <i>[Signature]</i>	7-17-74	SIZE B	DOCUMENT NUMBER C81080180
<i>[Signature]</i>	7-17-74	DS	SHEET 3 OF 4
<i>[Signature]</i>	7-17-74		PAGE
<i>[Signature]</i>	7-17-74		REV. 06

LIST OF MATERIALS

ITEM NO.	QTY. REQD.	REFERENCE DESIGNATION	PART NUMBER	DESCRIPTION	NOTES	VENDOR	VENDOR PART NUMBER
30	7	U9, 10, U18, 28, U27, 36, U49	C51324175	I.C. QUAD D F/F		TEX. INST.	SN74S175N-00
31	4	U107, THRU U110	C51324181	ARITHMETIC LOGIC UNIT			SN74S181N-00
32	1	U41	C51324182	LK AH CARRY GEN.			SN74S182N-00
33	4	U54, 64, U74, 83	C51322194	SHIFT REGISTER			SN74194N-00
34	10	U46, 55, U56, 65, U75, 84, U95, 96, U105, 106	C51324257	QUAD 2 TO 1 SEL MUX			SN74S257N-00
35	3	U7, 17, 22	C51324010	I.C. TRIPLE 3-IN NAND		TEX. INST.	SN74S10N-00
36	23	RM1 - RM23	C54811050	RESISTOR NETWORK 560/620			54811050
37	1	R11	C54773670	VARIABLE RESISTOR 10K		BOURNS	3006P-1-103
38	8	R1, 2, 6, R8, 9,10, R12, 21	C54400285	RESISTOR 1K, 1/4 W, 5%			RC07GF102J
39	1	R13	C54400474	RESISTOR 5.1K, 1/4 W, 5%			RC07GF512J
40	1	R16	C54400481	RESISTOR 10K, 1/4 W, 5%			RC07GF103J
41	1	R15	C54400268	RESISTOR 200 Ω , 1/4 W, 5%			RC07GF201J
42	3	R18,19,27	C54400273	RESISTOR 330 Ω , 1/4 W, 5%			RC07GF331J
43	1	R14	C54400275	RESISTOR 390 Ω , 1/4 W, 5%			RC07GF391J
44	6	R3, 4, 5, R7,20,26	C54400277	RESISTOR 470 Ω , 1/4 W, 5%			RC07GF471J
45	2	R22, 24	C54400279	RESISTOR 560 Ω , 1/4 W, 5%			RC07GF561J
46	2	R23, 25	C54400280	RESISTOR 620 Ω , 1/4 W, 5%			RC07GF621J
47	6	C4 THRU C9	C52326001	CAPACITOR 4.7 μ f, 20 V, 20%		COMPONENTS INC	CCO-020-475
48	56	C1, C10- C64	C52252500	CAPACITOR .01 μ f, 100 V		ERIE	805-024-Z511
49	1	C2	C52213330	CAPACITOR 33pf, 5%		CDE	CD15ED330J03
50	1	C3	C52213307	CAPACITOR 5pf \pm .5pf	Δ	CDE	CD15CD050D03
51	1	R17	C5440XXXX	RESISTOR 18K-47K, 5%, 1/4 W	Δ		RC07
52	16	C65 - C80	C52213237	CAPACITOR 180pf, 100 V, 5%		GEN. INSTR.	RDM5FA181J03
53	AR		C37002750	WIRE, SOLID 24 AWG GRN		AMER. ENKA	T502 (1/24)
					<p>Δ ITEMS CODED WITH THIS NOTE ARE SELECTED IN TEST TO ACHIEVE CLOCK PULSE WIDTH 40 ns.</p> <p>Δ INSTALL IF PULSE WIDTH IS LESS THAN 35 ns.</p>		

ORIGINATOR
APPROVAL

 **california data
processors**

TITLE
BOARD ASSY, CAL DATA 1/00 ENGINE 1

SIZE
B

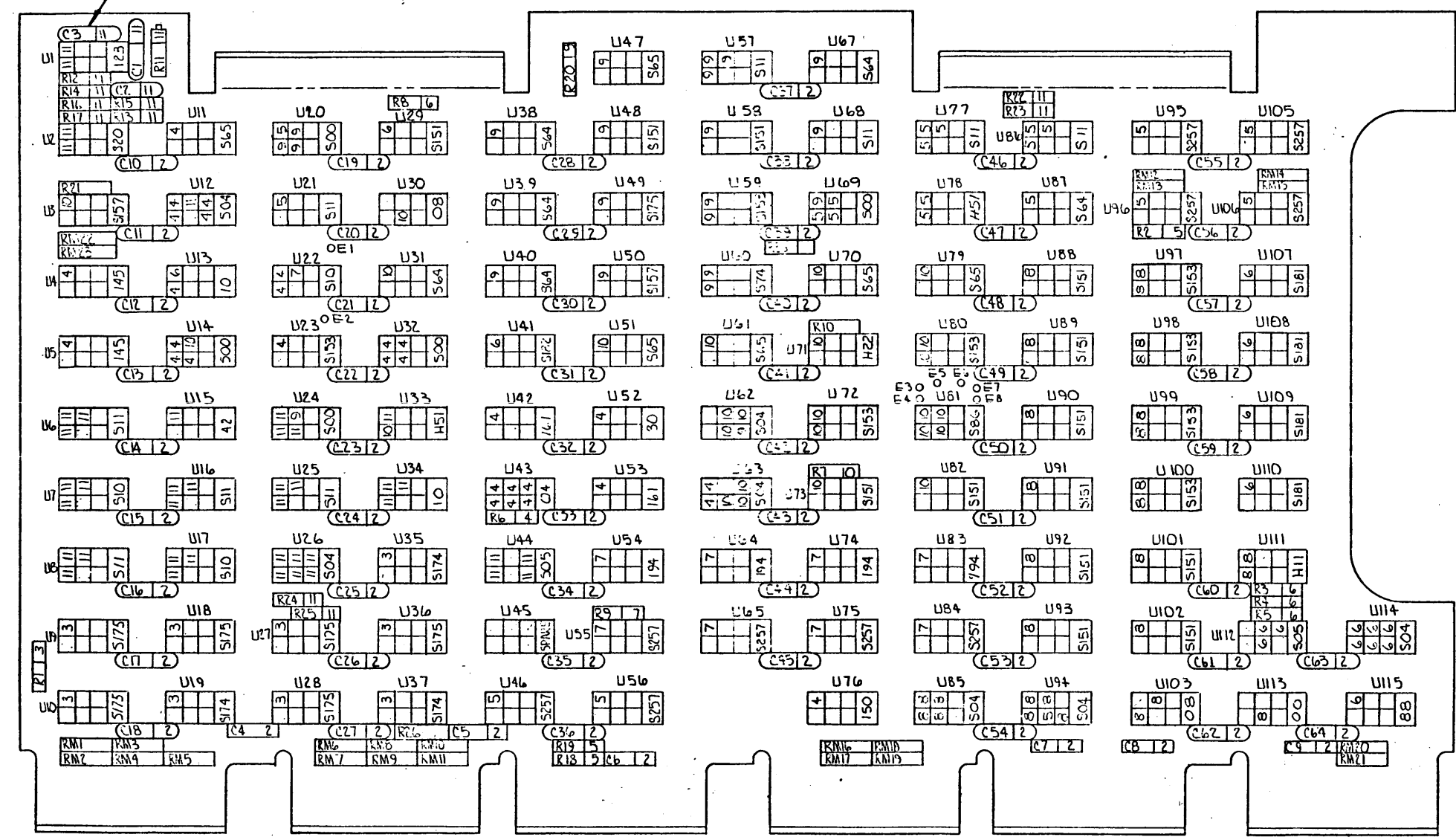
DOCUMENT NUMBER
C81080180

REV.
05

DS SHEET 4 OF 4 PAGE

The information herein is the property of California Data Processors, Inc. and is loaned to you for your use only. It is not to be reproduced, copied, or disseminated in any form or by any means without the written authorization of California Data Processors, Inc.

RELEASE STATUS			REVISIONS			
RELEASE LEVEL	DES SERVICES	DATE	ZONE/LTR	DESCRIPTION	DATE	APPROVED
EXPERIMENTAL			01	REL PER D.R.N. DSC0025	2-23-74	1.0
ENGINEERING		2-28-74	02	REVISED PER ECO DS 00063-01	5-14-74	1.1
PRODUCTION			03	REVISED PER ECO DS 00150-01	8-23-74	1.2
ATTACHED E.O. RECORD						
E.O. NUMBER						
DATE						



REFERENCE DESIGNATIONS		
COMPONENT	HIGHEST NUMBER	NUMBERS NOT USED
CAPACITOR	C 64	
"E" POINTS	E 8	
INT CIRCUIT	U 115	U 66, U 104
RESISTOR	R 27	
RES. MOD.	RM 23	

3 CAPACITOR C3 IS SELECTED IN TEST.

2. REVISIONS TO THIS DOCUMENT WILL BE MAINTAINED ON A PER SHEET BASIS. FOR REVISION LOG SEE SHEET 2.

1. FUNCTIONS CODED WITH THIS NOTE ARE ASSIGNED ON THE BACKPLANE AND ARE NOT USED ON THIS ASSEMBLY.

NOTES: UNLESS OTHERWISE SPECIFIED

NOTE	PART OR IDENTIFYING NO.	NOMENCLATURE OR DESCRIPTION / MATERIAL	SPEC/SOURCE	CODE IDENT NO.	FIND NO.
					1
PART/ASSY NO. & QTY PER ASSY		PARTS LIST			
PART/ASSY REV LTR		CONTRACT NO.			
810800135		california data processors 2079 south ritchee street - santa ana, california 92705 (714) 558 8211			
NEXT ASSY USED ON		DWG TITLE			
APPLICATION		BOARD SCHEMATIC CAL DATA 1/00 ENGINE 1			
		SIZE CODE IDENT NO DWG NO.			
		D / C21030180			
		SCALE: NONE REV: 03 SHEET 1 OF 11			

21030180 03

The information herein is the property of Calsonic Data Products. It is to be used only for the purposes of the information on which it was prepared. It is not to be used, in whole or in part, for any other purpose without the written authorization of an officer of Calsonic Data Products.

ZONE/LTR	DESCRIPTION	DATE	APPROVED
	SEE SHEET 1		

SHEET NUMBERS:

1	2	3	4	5	6	7	8	9	10	11	12	13	14	15	16	17	18	19	20	21	22	23	24	25	
01	01	01	01	01	01	01	01	01	01	01															
02	02	02		02					02																
03	03							03	03																

PAGE NO	A	J2	B	PAGE NO
4	LDADC-L	1		
1	BREQ-H	2	MINTP-L	4
	BGRNT-L	3	BYTDA-L	10
	BGEN-H	4		
	MMINH-L	5	MARLD-H	
	DAMH-L	6	CCCFN-H	
11	SPFO3-L	7	SPRIA-L	4
11	SPFO5-L	8	SPRIA-L	4
11	SPFO6-L	9	SPRIB-L	4
	SPENC-H	10	MLTP-L	11
	INHSF-L	11	ENHFC-H	11
11	EMAL-H	12	CROOB-H	3
	PIAL-L	13		
6	BUCIN-L	14		
	WRITE-L	15	FILE6-H	
	IRERD-H	16	YABIS-L	
	INTP-H	17	XA00-L	
	IMMO-L	18	RSTRA-L	
	MMO-L	19	YELLV-L	
	CRO37-H	20	BYTND-L	11
5	SLINT-H	21	MS006-H	5
	DRVEN-L	22	RRWEN-L	
	EIA001-H	23	EIA000-H	
	EIA003-H	24	EIA002-H	
	EIA005-H	25	EIA004-H	
	EIA007-H	26	EIA006-H	
	EIA009-H	27	EIA008-H	
	EIA011-H	28	EIA010-H	
	EIA013-H	29	EIA012-H	
	EIA015-H	30	EIA014-H	

PAGE NO	A	J1	B	PAGE NO
9	SKIPP-L	1	EMAO0-H	
	ARWEN-L	2	EMAO1-H	
	SLWEN-L	3	EMAO2-H	
	SSYER-H	4	EMAO3-H	
	DSYER-H	5	EMAO4-H	
	LDSPF-H	6	EMAO5-H	
11	FINTP-L	7	EMAO6-H	
11	SPENC-H	8	EMAO7-H	
	HALTP-L	9		
		10		
10	CARRY-H	11		
		12		
	ADERR-H	13		
	P9003-L	14		
		15	XDO07-L	
		16	XDB15-L	
		17	XBB15-L	
4	CCWEN-H	18	XBO07-L	
10	STAT-L	19	LITRL-L	5
	PASYL-H	20	PLUS1-L	11
11	SPFO4-L	21	PSWEN-L	
5	B3IN-H	22	TRWEN-L	
5	BBO01-H	23	BBO00-H	5
5	BBO03-H	24	BBO02-H	5
5	BBO05-H	25	BBO04-H	5
5	BBO07-H	26	BBO06-H	5
5	BBO09-H	27	BBO08-H	5
5	BBO11-H	28	BBO10-H	5
5	BBO13-H	29	BBO12-H	5
5	BBO15-H	30	BBO14-H	5

REVISION LEVEL

PAGE NO	I	F	2	PAGE NO
3	CMO28-H	A	+5V	2
3	CMO29-H	B	-15V	2
	CMO31-H	C	GND	2
	CMO30-H	D	CMO32-H	3
3	CMO33-H	E	CMO34-H	3
3	CMO35-H	F	DADO2-H	3
3	CMO37-H	H	CMO36-H	3
3	CMO39-H	J	CMO38-H	3
11	IRPTE-L	K	CMO40-H	3
3	CMO41-H	L	CMO42-H	3
3	CMO43-H	M	CPEH-L	3
3	CMO45-H	N	CMO44-H	3
3	CMO47-H	P	CMO46-H	3
	DADO3-H	R	ACMSL-L	
		S	AUXRM-L	
2	GND	T	IRINH-L	11
		U	IWAIT-L	11
11	SYSC-K	V	GND	2

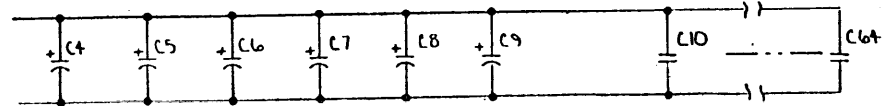
PAGE NO	I	E	2	PAGE NO
3	CMO00-H	A	+5V	2
3	CMO01-H	B	-15V	2
3	CMO02-H	C	GND	2
3	CMO03-H	D	CMO04-H	3
3	CMO05-H	E	CMO06-H	3
3	CMO07-H	F	EMINH-L	11
3	CMO09-H	H	CMO08-H	3
3	CMO11-H	J	CMO10-H	3
	DADO0-H	K	CMO12-H	3
3	CMO13-H	L	CMO14-H	3
3	CMO15-H	M	DADO1-H	
	CMO17-H	N	CMO16-H	
	CMO19-H	P	CMO18-H	
3	SR0-L	R	CMO20-H	3
2	GND	T	CMO24-H	3
3	CMO23-H	U	CMO26-H	3
3	CMO25-H	V	CMO27-H	3

PAGE NO	I	D	2	PAGE NO
	PFINT-H	A	+5V	2
	HLINT-H	B	-15V	2
	DS16-H	C	GND	2
	DS17-H	D	LTCL-L	
	VIRTAD-H	F	PBBSYL	
	CCOXX-L	F	HALTP-L	
	CCO01-L	H	MSRIS-L	
	CCO02-L	J	RESET-L	9
	CCO03-L	K	BG7-IN	
	CCO04-L	L	BG7-OUT	
	CCO05-L	M	BG6-IN	
	CCO06-L	N	BG6-OUT	
	CCO07-L	P	BG5-IN	
	CCO08-L	R	BG5-OUT	
	CCO09-L	S	BG4-IN	
2	GND	T	BG4-OUT	
	CCO10-L	U	BG3-IN	
	CCO11-L	V	BG3-OUT	

PAGE NO	I	C	2	PAGE NO
8	MBO01-L	A	-5V	2
8	MBO02-L	B	-15V	2
8	MBO03-L	C	GND	2
8	MBO04-L	D	MBO04-L	8
8	MBO05-L	E	MBO06-L	8
8	MBO07-L	F	MBO08-L	8
8	MBO09-L	H	MBO10-L	8
8	MBO11-L	J	MBO12-L	8
8	MBO13-L	K	MBO14-L	8
8	MBO15-L	L	ABO01-H	4
4	ABO01-H	M	ABO02-H	4
4	ABO03-H	N	ABO04-H	4
4	ABO05-H	P	ABO05-H	4
4	ABO07-H	R	ABO08-H	4
4	ABO09-H	S	ABO10-H	4
2	GND	T	ABO11-H	4
4	ABO13-H	U	ABO12-H	4
4	ABO15-H	V	ABO14-H	4

PAGE NO	I	B	2	PAGE NO
	BUS BG6-H	A	+5V	2
	BUS BG5-H	B	GND	2
	BUS BR5-L	C	GND	2
2	GND	D	BUS BR4-L	
2	GND	E	BUS BR4-H	
	BUS ACLO-L	F	BUS XLO-L	
	BUS AO1-L	H	BUS AO2-L	
	BUS AO3-L	J	BUS AO2-L	
	BUS AO5-L	K	BUS AO4-L	
	BUS AO7-L	L	BUS AO6-L	
	BUS AO9-L	M	BUS AO8-L	
	BUS A11-L	N	BUS A10-L	
	BUS A13-L	P	BUS A12-L	
	BUS A15-L	R	BUS A14-L	
	BUS A17-L	S	BUS A16-L	
2	GND	T	BUS A1-L	
	BUS SSYN-L	U	BUS DO-L	
	BUS MSYN-L	V	GND	2

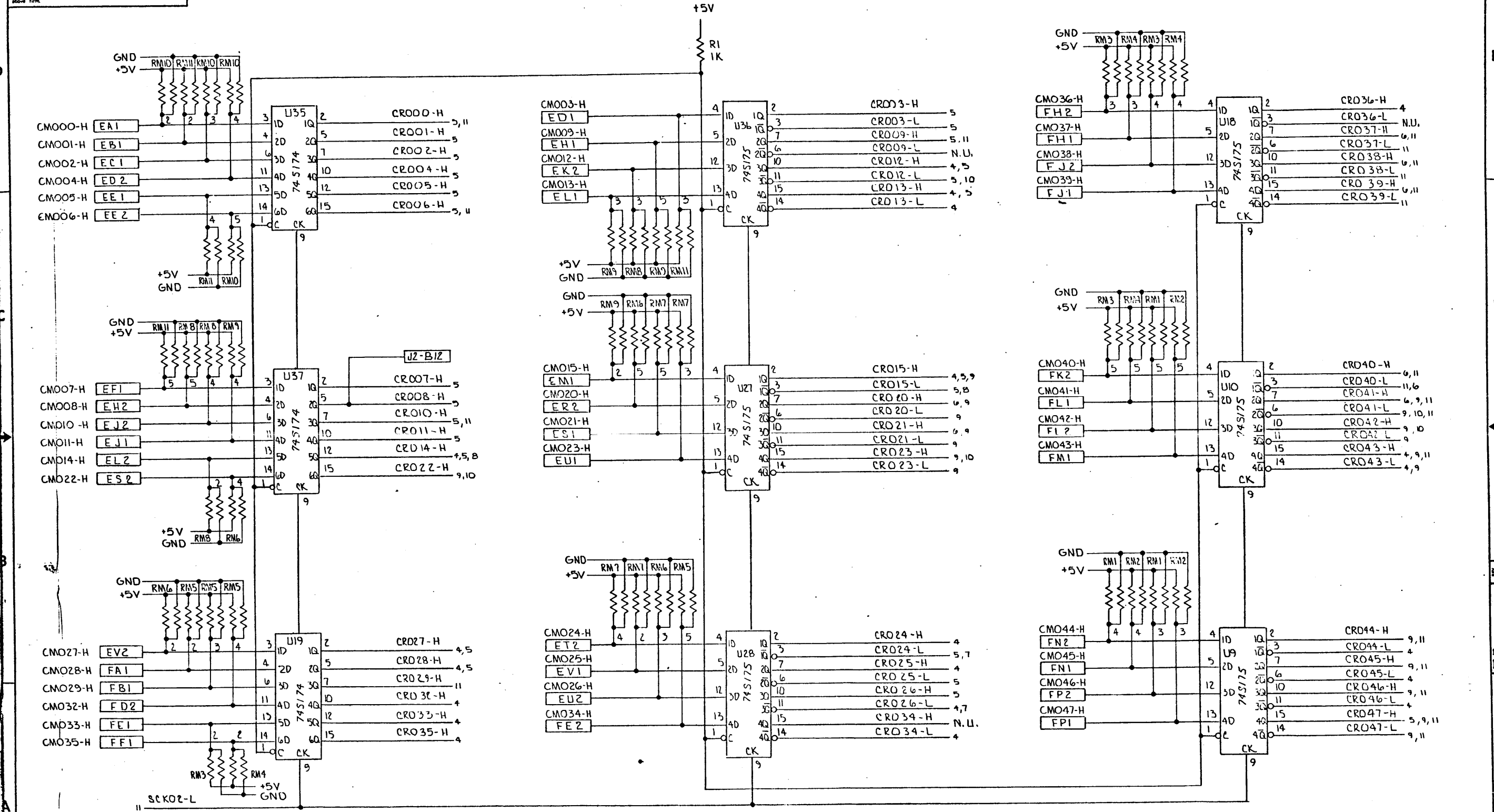
PAGE NO	I	A	2	PAGE NO
	BUS INIT-L	A	+5V	2
	BUS INTR-L	B	GND	2
	BUS DO0-L	C	GND	2
	BUS DO2-L	D	BUS DO1-L	
	BUS DO4-L	E	BUS DO3-L	
	BUS DO6-L	F	BUS DO5-L	
	BUS DO8-L	H	BUS DO7-L	
	BUS D10-L	J	BUS DO9-L	
	BUS D12-L	K	BUS D11-L	
	BUS D14-L	L	BUS D13-L	
	BUS PA-L	M	BUS D15-L	
2	GND	N	BUS PB-L	
2	GND	P	BUS SB9-L	
2	GND	R	BUS SACK-L	
2	GND	S	BUS NPR-L	
2	GND	T	BUS PRT-L	
	BUS N'G-H	U	BUS BR6-L	
	BUS BG7-H	V	GND	2



SIZE	CODE IDENT NO.	DWG NO.
D		C21080180
SCALE: NONE	REV 03	SHEET 7 OF 11

REVISIONS			
ZONE/LTR	DESCRIPTION	DATE	APPROVED
	SEE SHT 1		

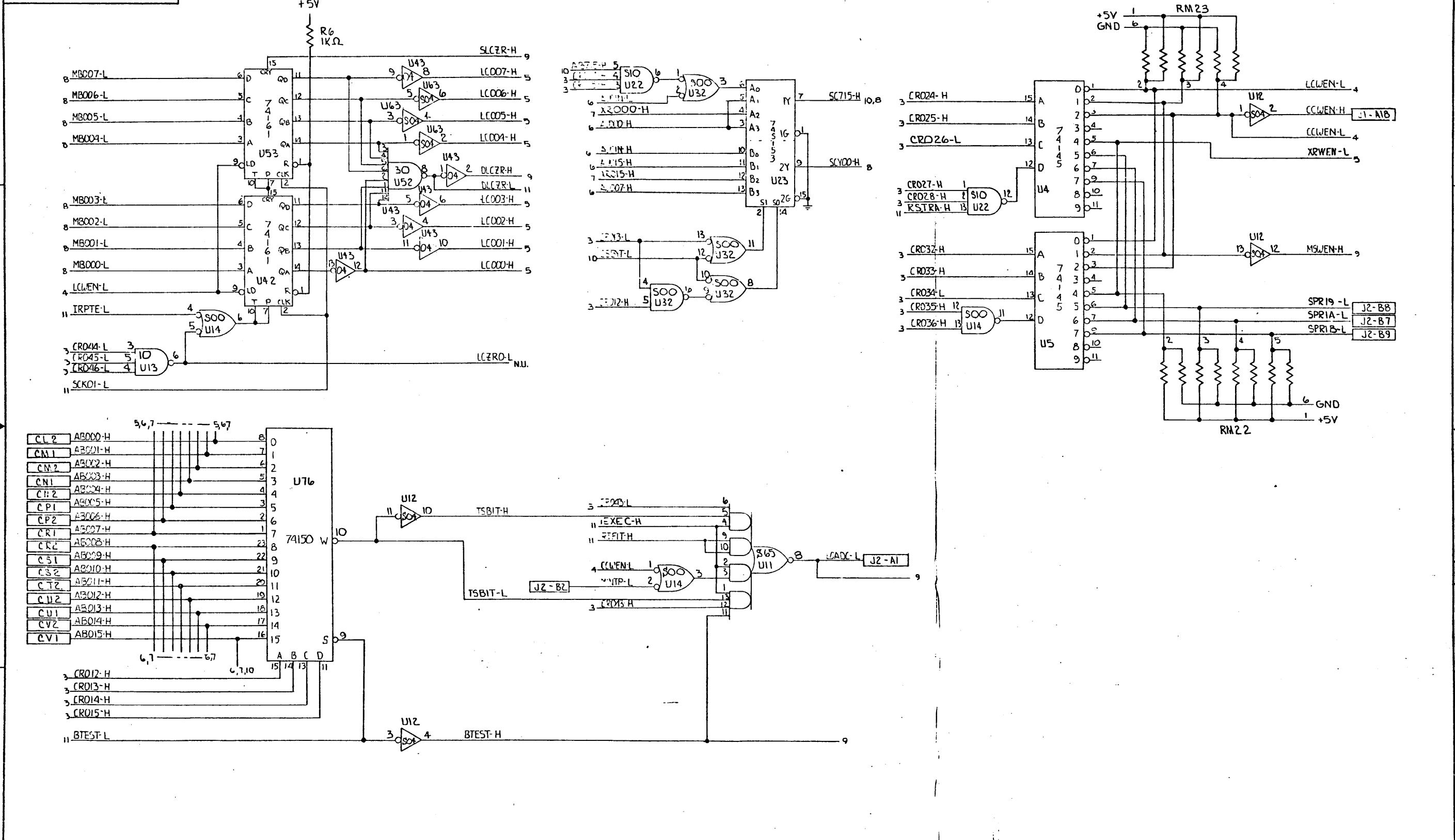
The information herein is the property of California Data Processors. Transmission, reproduction or disclosure of the information does not express license, or any rights to use, sell, or manufacture from this information and no reproduction or publication of it, in whole or in part, shall be made without written authorization from an officer of the above firm.



SIZE	CODE IDENT NO.	DWG NO.
D		C21000160
SCALE: NONE	REV C2	SHEET 3 OF 11

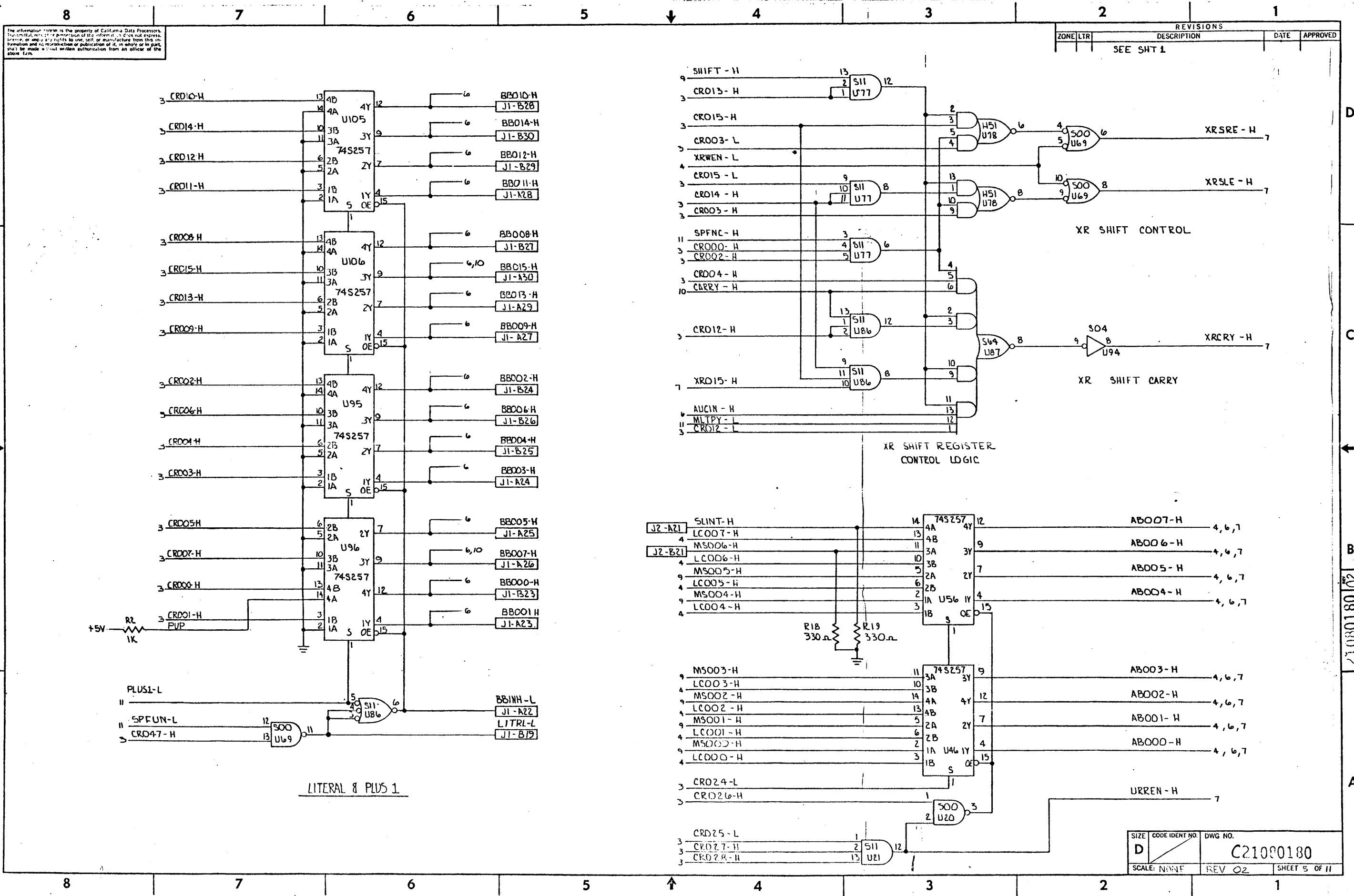
The information herein is the property of Calcomp Data Processors. It is loaned to you for your use only and is not to be reproduced, stored in a retrieval system, or transmitted in any form or by any means, electronic, mechanical, photocopying, recording, or otherwise, without the prior written permission of Calcomp Data Processors.

REVISIONS			
ZONE/LTR	DESCRIPTION	DATE	APPROVED
SEE SHEET 1			



SIZE D	CODE IDENT NO.	DWG NO. C21020100
SCALE: NONE	DATE: FEB 70	SHEET 4 OF 11

D
C
B
A
10 C3103012



The information herein is the property of California Data Processors. Transmittal and the possession of the information does not express, license, or under any rights to use, sell, or manufacture from this information and no reproduction or publication of it, in whole or in part, shall be made without written authorization from an officer of the above firm.

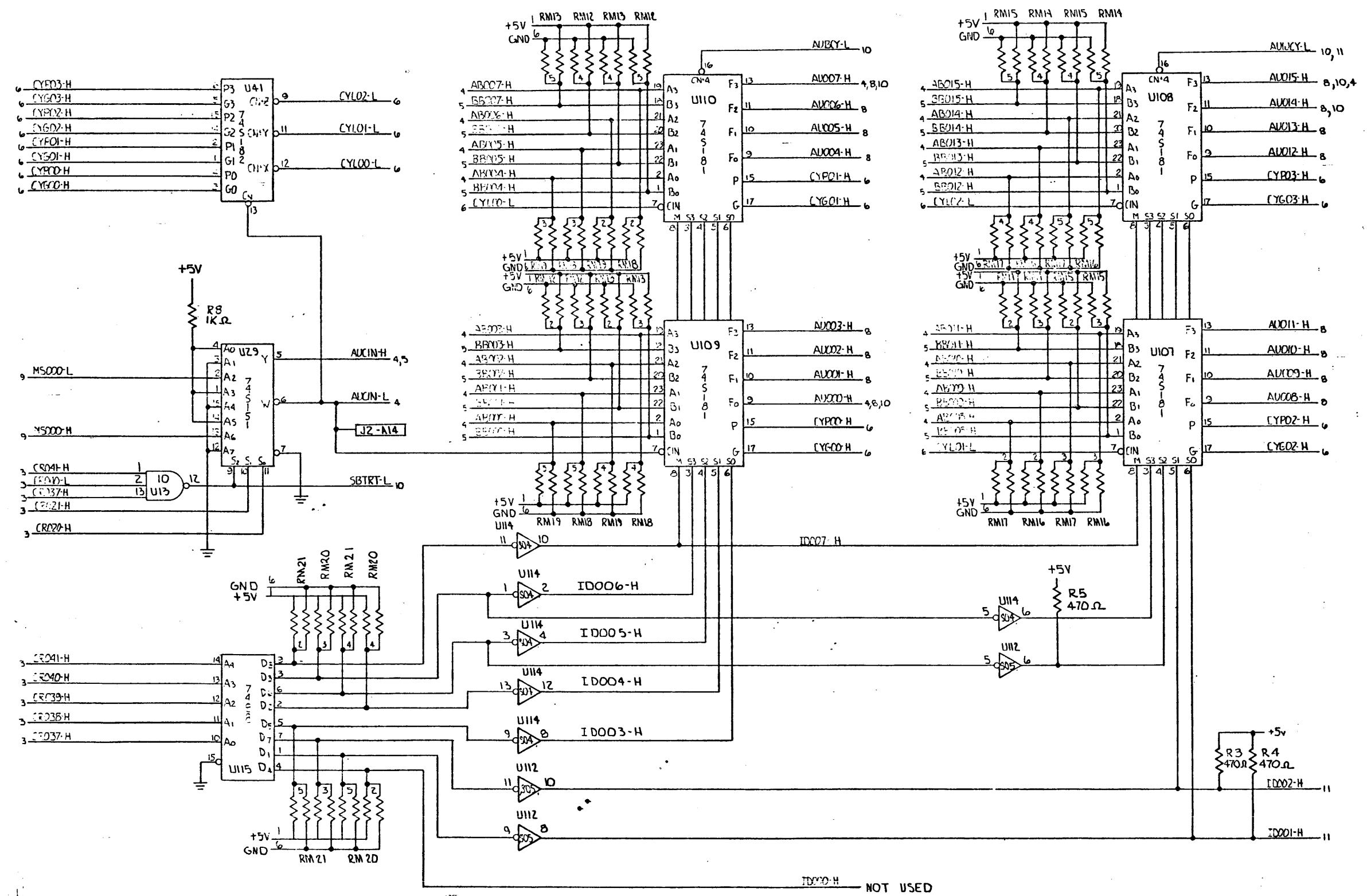
REVISIONS				
ZONE	LTR	DESCRIPTION	DATE	APPROVED
		SEE SHT 1		

SIZE	CODE IDENT NO.	DWG NO.
D		C21090180
SCALE: NONE	REV 02	SHEET 5 OF 11

D
C
B
A
21080180 02

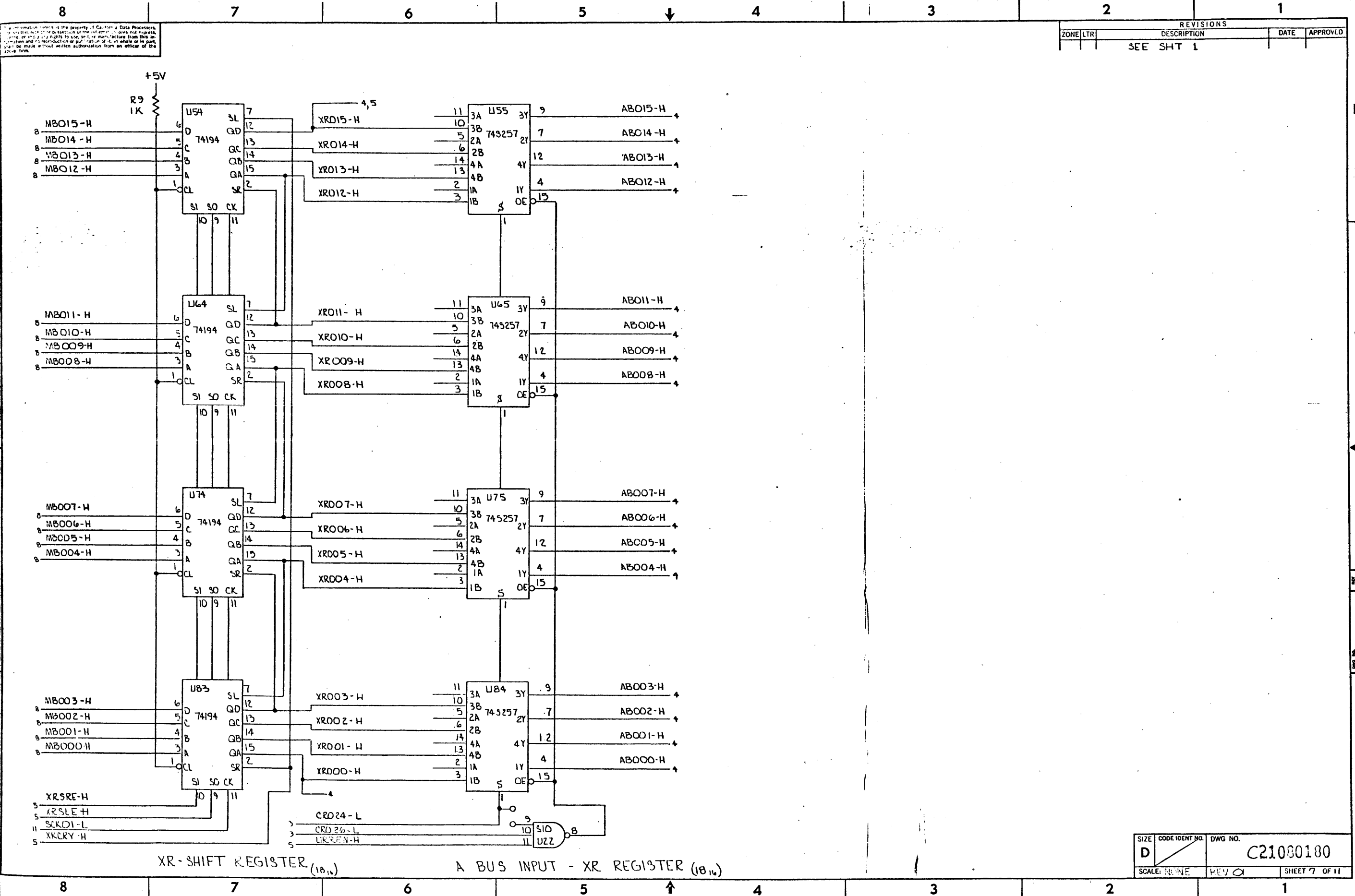
This document is the property of the U.S. Government. It is loaned to your organization for your information and use only. It and its contents are not to be distributed, reproduced, or published in any form or by any means, electronic or mechanical, including photocopying, recording, or by any information storage and retrieval system, without the prior written permission of the U.S. Government.

REVISIONS				
ZONE	LTR	DESCRIPTION	DATE	APPROVED
		SEE SHEET 1		



SIZE	CODE IDENT NO.	DWG NO.
D		C21080180
SCALE: NONE	REV: 01	SHEET 6 OF 11

D
C
B
A
21080180



All reproduction is the property of Caltech Data Processors, Inc. and is not to be reproduced or distributed in any form or by any means without the prior written permission of the manufacturer. This document and its reproduction or publication in whole or in part shall be made without written authorization from an officer of the company.

ZONE		REVISIONS		DATE	APPROVED
LTR	DESCRIPTION				
	SEE SHT 1				

XR-SHIFT REGISTER (18.16)

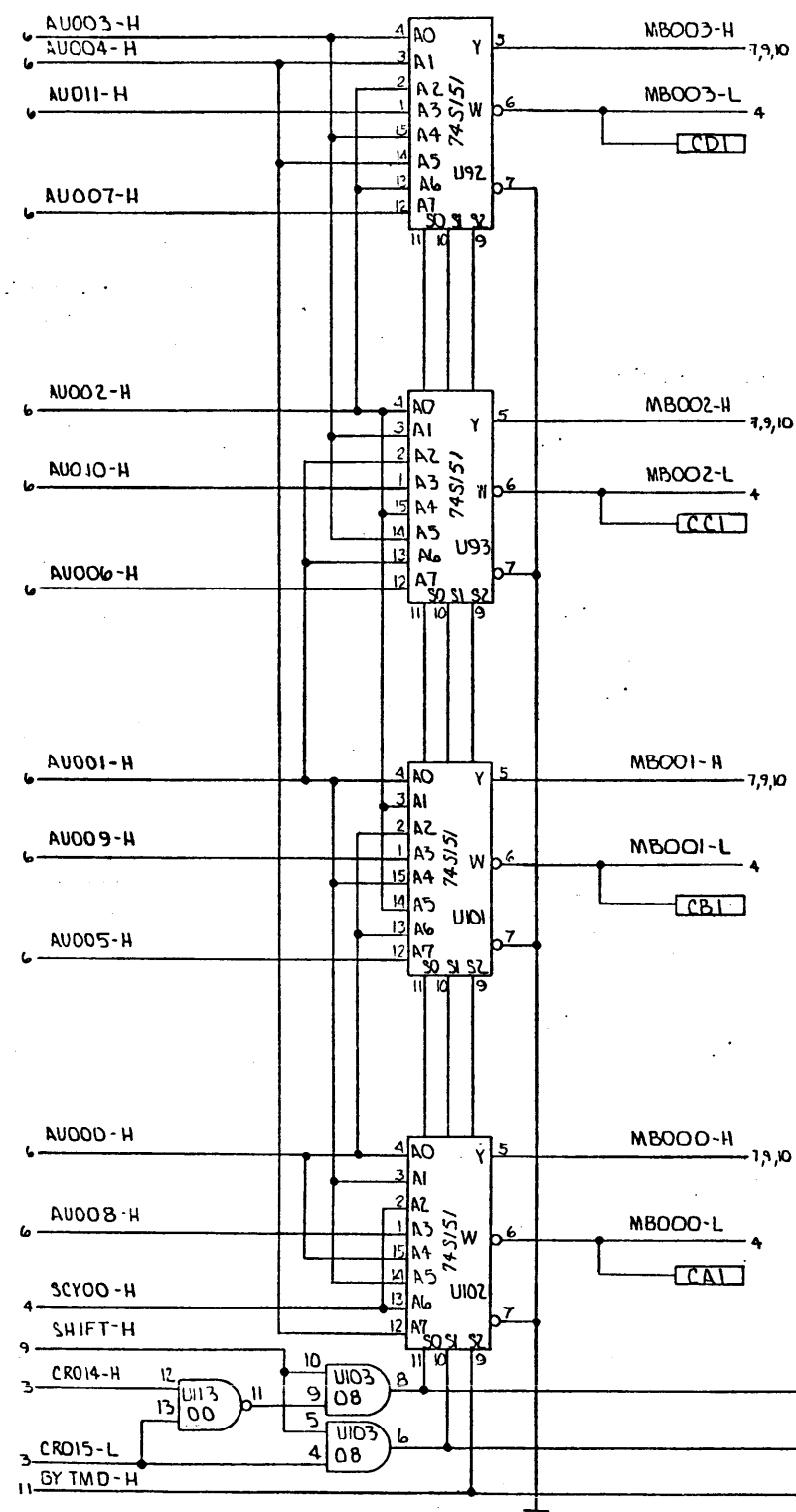
A BUS INPUT - XR REGISTER (18.16)

SIZE	CODE IDENT NO.	DWG NO.
D		C21080180
SCALE: NONE	REV 0	SHEET 7 OF 11

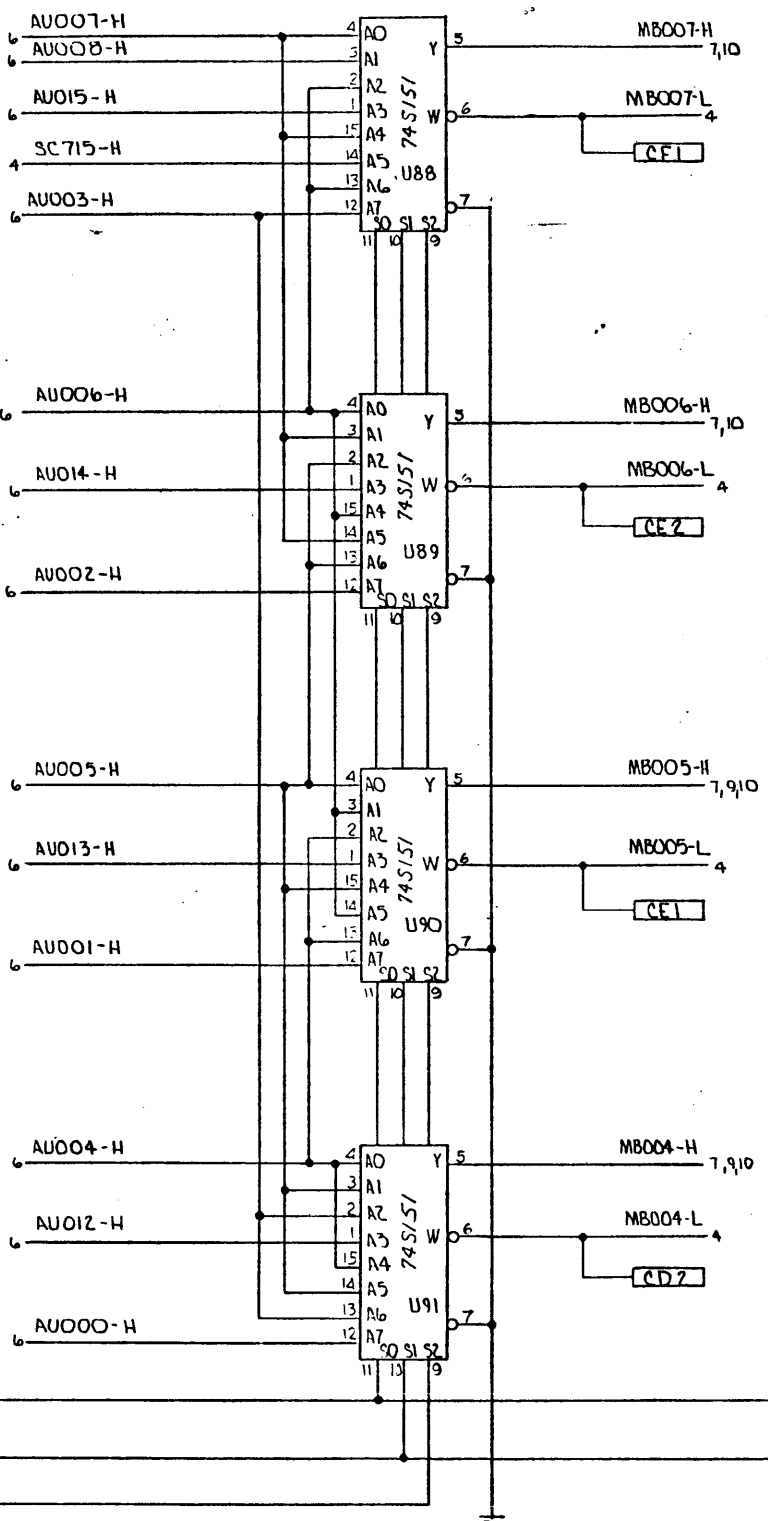
21080180 01

The information shown is the property of Control Data Processors. It is not to be distributed outside the organization to which it is loaned. It is not to be copied, reproduced, or used in any way without the written authorization of an officer of the organization.

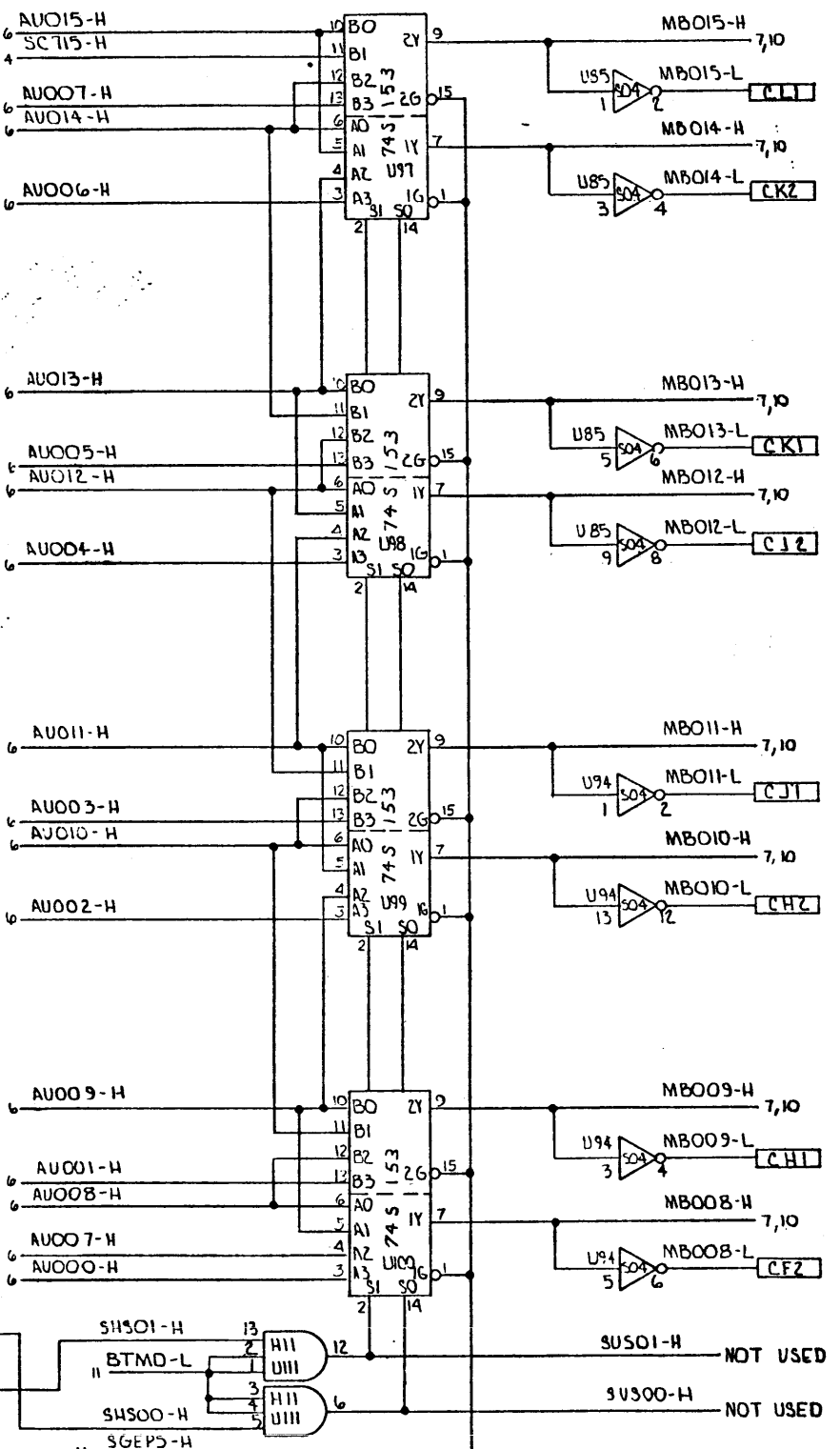
REVISIONS				
ZONE	LTR	DESCRIPTION	DATE	APPROVED
		SEE SHEET 1		



SHIFT LOGIC & M BUS
LOWER BYTE-LOWER NIBBLE



SHIFT LOGIC & M BUS
LOWER BYTE-UPPER NIBBLE



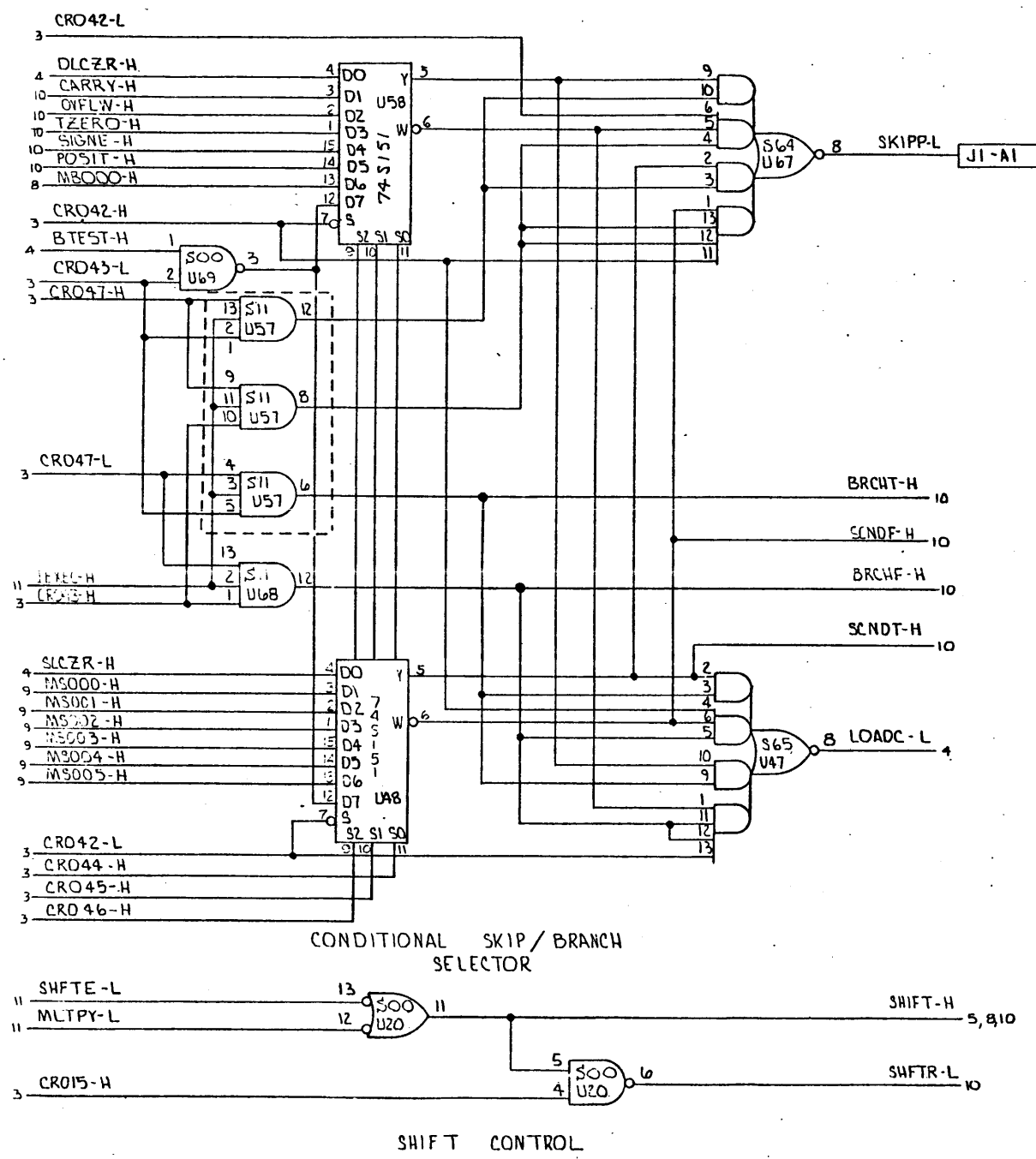
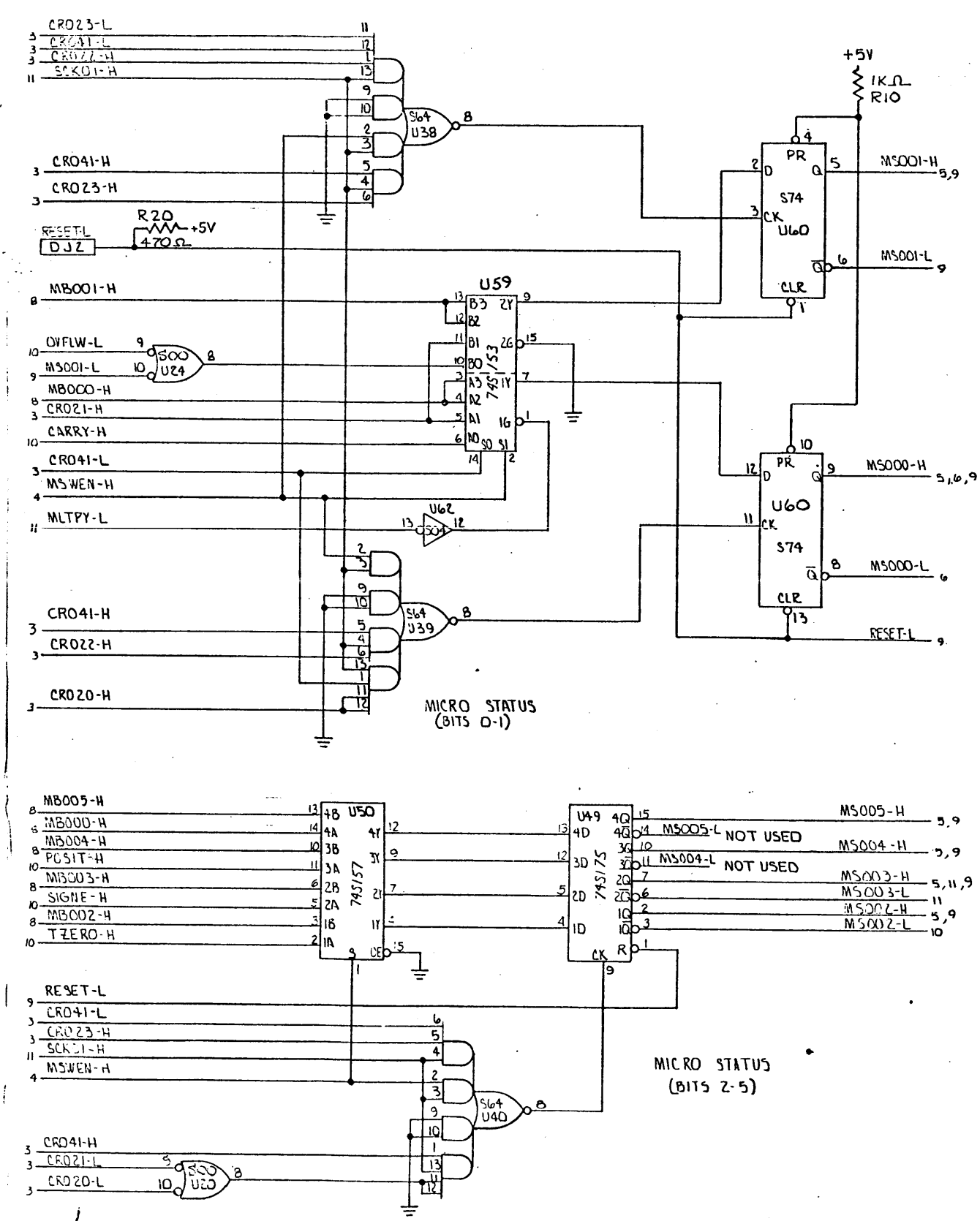
SHIFT LOGIC & M BUS
UPPER BYTE

SIZE	CODE IDENT NO.	DWG NO.
D		C21080180
SCALE: NONE	REV: 01	SHEET 8 OF 11

D
C
B
A
21080180 01

The information herein is the property of GE. It is to be controlled, stored, and disseminated in accordance with the applicable export control regulations. It is to be controlled, stored, and disseminated in accordance with the applicable export control regulations. It is to be controlled, stored, and disseminated in accordance with the applicable export control regulations.

REVISIONS			
ZONE/LTR	DESCRIPTION	DATE	APPROVED
	SEE SHEET 1		

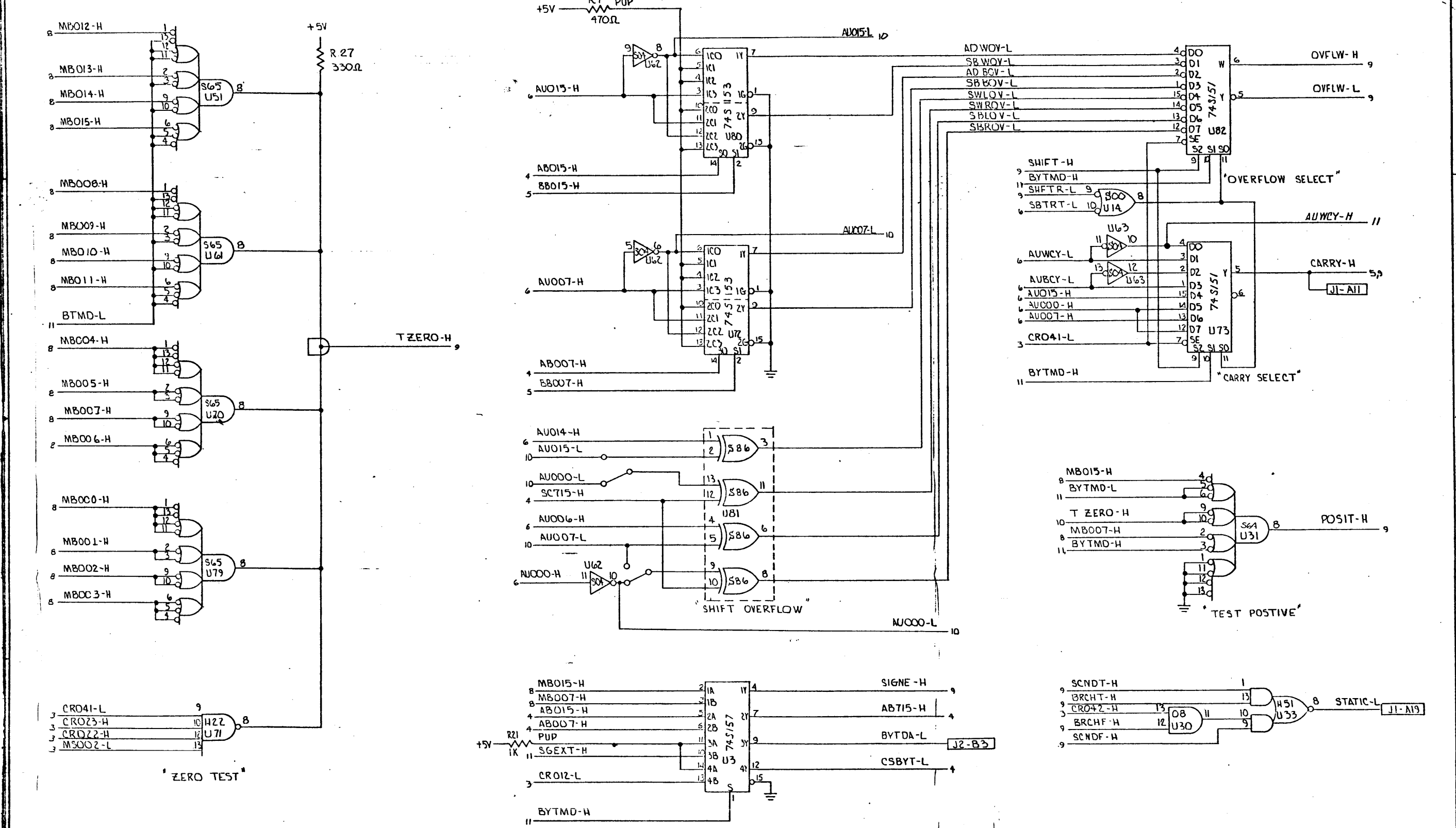


SIZE	CODE IDENT NO.	DWG NO.
D		C21080180
SCALE: NONE	REV: 01	SHEET 2 OF 11

21080180101

The information herein is the property of the Data Processor Corporation and is not to be distributed outside of the organization. It is not to be reproduced or transmitted in any form or by any means, electronic, mechanical, photocopying, recording, or by any information storage and retrieval system, without the prior written permission of the Data Processor Corporation.

REVISIONS			
ZONE/LTR	DESCRIPTION	DATE	APPROVED
	SEE SHEET 1		

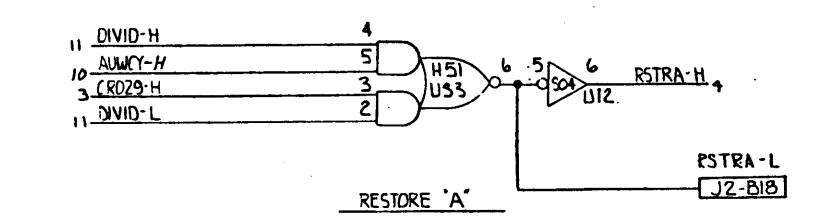
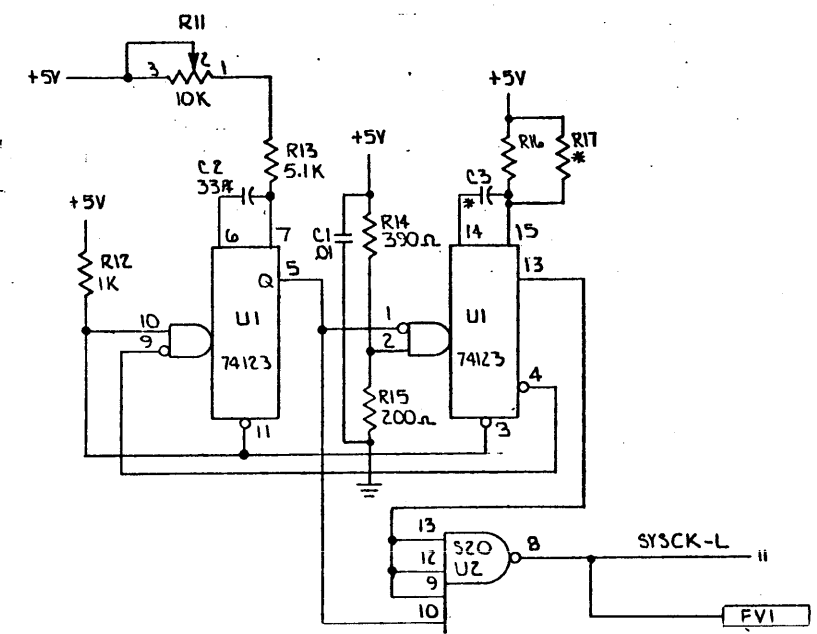
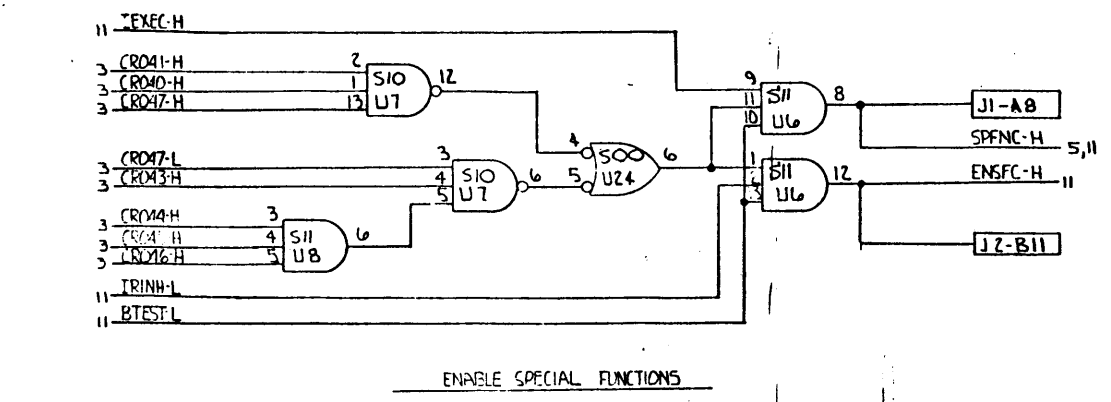
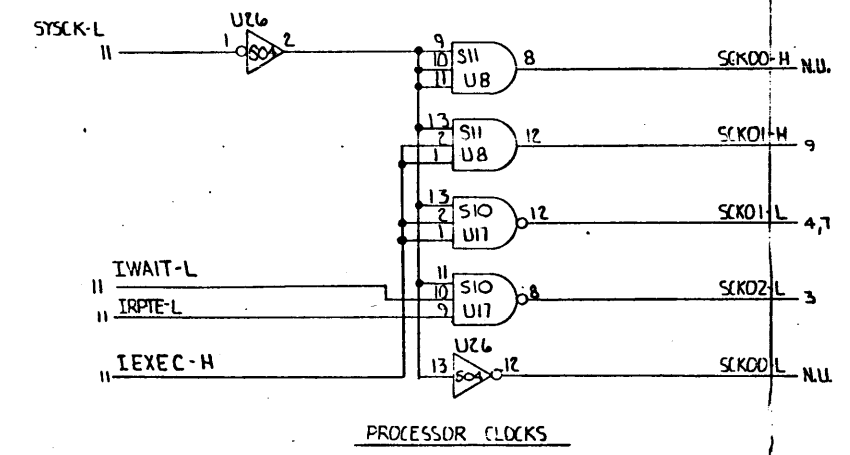
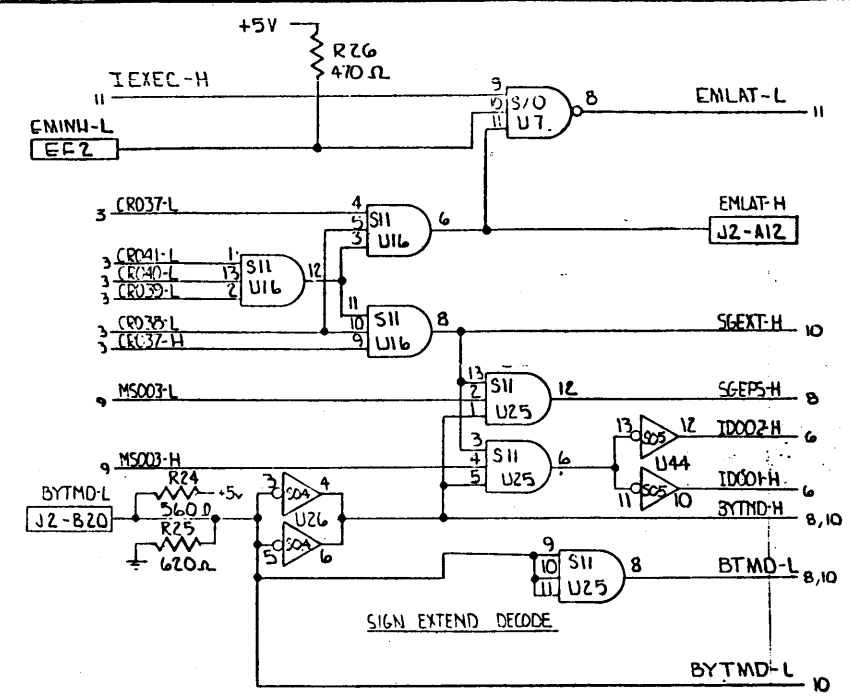
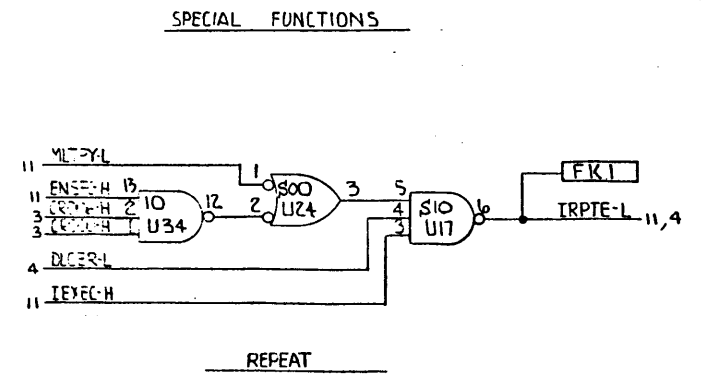
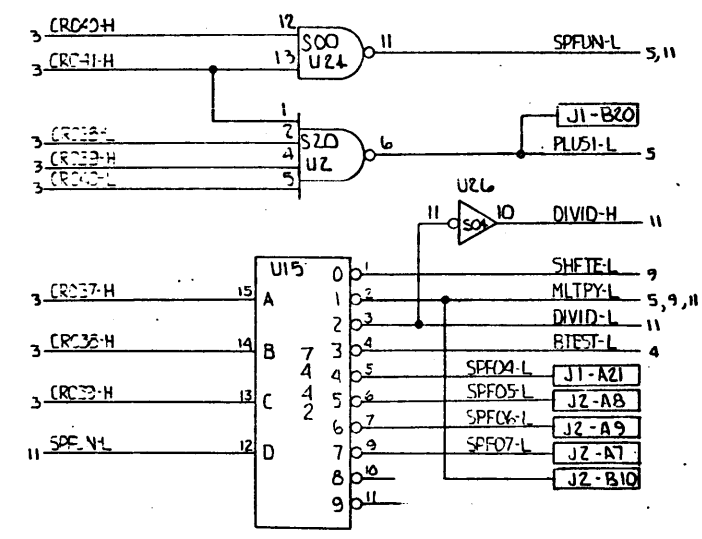
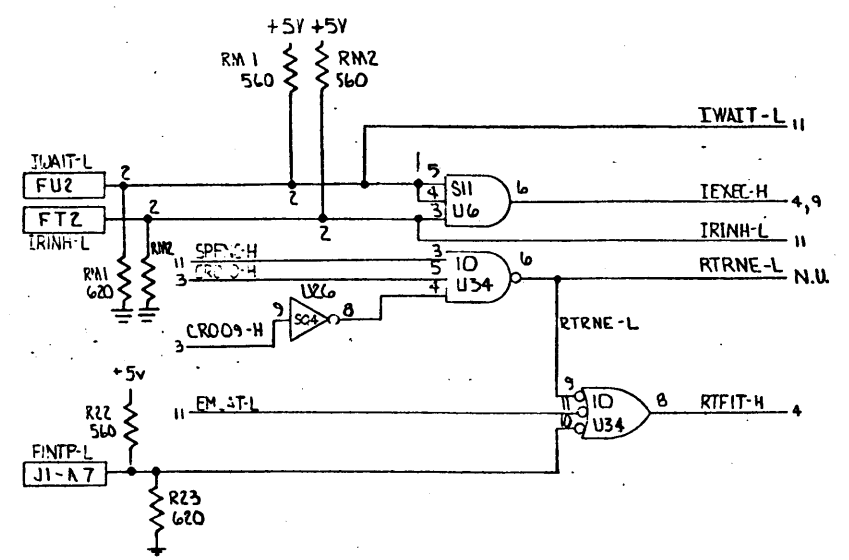


D
C
B
A
21080180 92

SIZE	CODE IDENT NO.	DWG NO.
D		C21080180
SCALE: NONE	REV 03	SHEET 1 OF 11

REVISIONS			
ZONE/LTR	DESCRIPTION	DATE	APPROVED
	SEE SHEET 1		

The information herein is the property of the Data Processor. It is to be used only for the purpose for which it was prepared. It is not to be reproduced or transmitted in any form or by any means, electronic, mechanical, photocopying, recording, or by any information storage and retrieval system, without written authorization from an officer of the Data Processor.

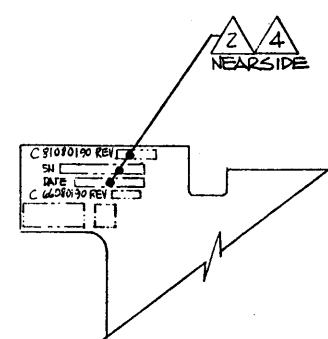
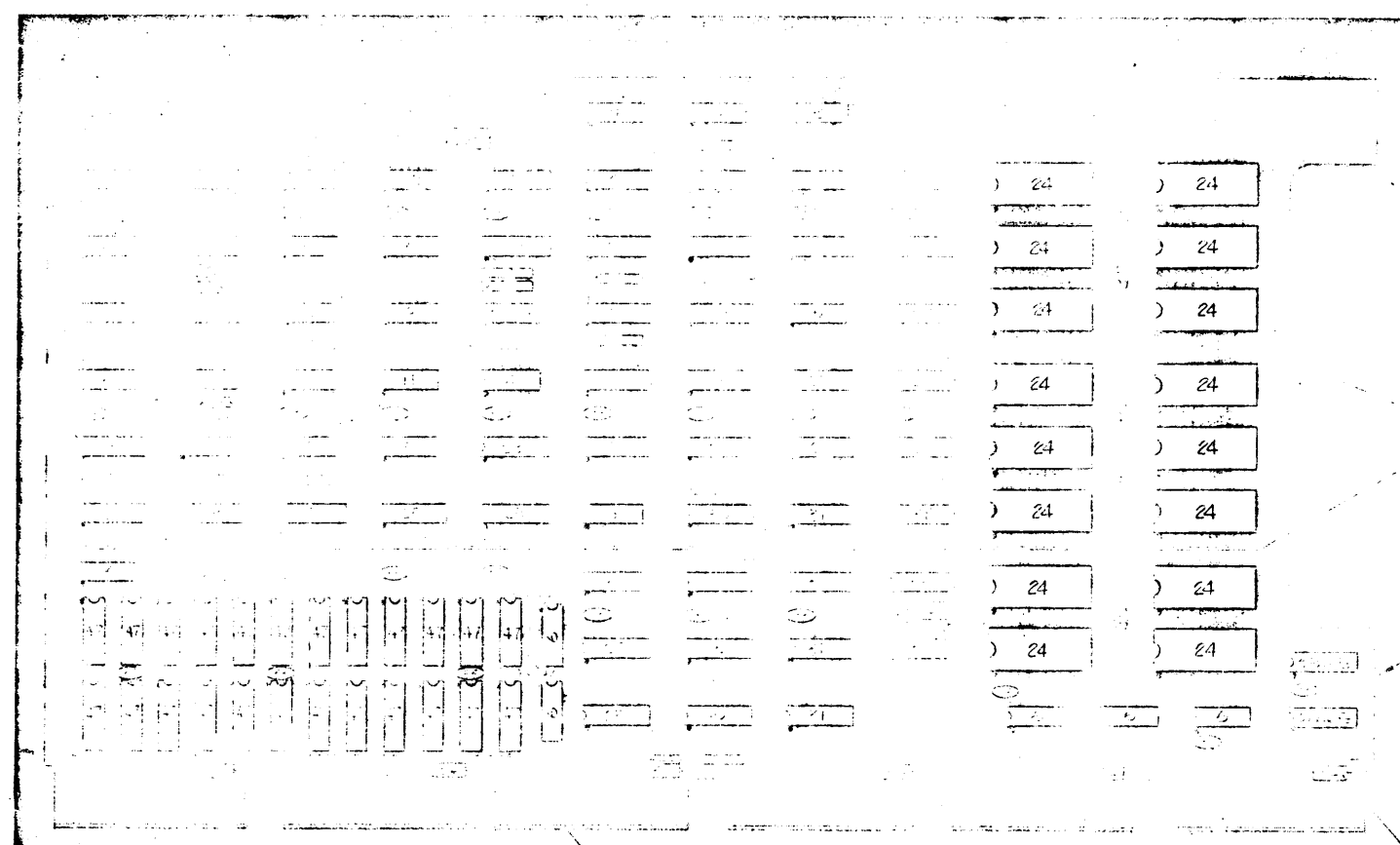


SIZE	CODE IDENT NO.	DWG NO.
D		C21080180
SCALE: NONE	REV: 03	SHEET 11 OF 11

21080180 03

The information herein is the property of California Data Processors. Transmittal, use, or possession of the information does not constitute, or imply any rights to use, sell, or manufacture from this information and its reproduction or publication of it, in whole or in part, shall be made without written authorization from an officer of the above firm.

RELEASE STATUS			REVISIONS					
RELEASE LEVEL	APPROVED	DATE	REV.	ECO.	DESCRIPTION	ORIG.	DATE	APPD.
EXPERIMENTAL			01		POJ 1/20/74	WJ	1/20/74	WJ
ENGINEERING		1/22/74	02	DS00062-01	SEE ECO	WJ	1/22/74	WJ
PRODUCTION			03	DS00062-01	SEE ECO	WJ	1/22/74	WJ
			04	DS00062-01	SEE ECO	WJ	1/22/74	WJ
			05	DS00064-01	SEE ECO	WJ	1/22/74	WJ
			06	DS00141-01	SEE ECO.	WJ	1/22/74	WJ



2
2 PLACES

FIND NUMBER PER LIST OF MATERIALS TYPICAL

- 6 THE R.O.M. SET IS SELECTED AND INSTALLED TO AGREE WITH SALES ORDER MARKETING CODE AS DEFINED BY CONFIGURATION SPECIFICATION C22285009.
- 5. REFERENCE DOCUMENTS : PRODUCT SPECIFICATION : C22410016
TEST SPECIFICATION : C22413014
- 4 SERIAL NUMBER TO BE PREFIXED WITH A DIVISION CODE WHICH AGREE WITH PLACE OF MANUFACTURE : DS EQUAL, SANTA ANA - DE EQUAL, EDINA.
- 3 FOR BOARD SCHEMATIC SEE C21080150.
- 2 MARK ASSEMBLY LATEST REV. LETTER TO WHICH IT WAS BUILT. ASSY SERIAL NO. AND EIA FOUR DIGIT DATE CODE. LETTERING TO BE .12 HIGH BLACK EPOXY PAINT, VERTICAL GOTHIC AND LOCATED APPROX. AS SHOWN.
- 1. MAKE PER CAL DATA SPEC C21100010.

NOTES: UNLESS OTHERWISE SPECIFIED

ITEM	PART NO.	QTY.	DESCRIPTION
california data processors		TITLE BOARD ASSY, ENGINE 2	
ORIGINATOR	WJ	DATE	1/22/74
APPROVAL	WJ	DATE	1/22/74
DOCUMENT NUMBER		SIZE	REV.
C81080190		D	06
DO NOT SCALE PRINT		SHEET	UNLESS OTHERWISE SPECIFIED
SCALE 1/1		OF 7	FRACTIONS DECIMALS ANGLES

3 PLACE	2 PLACE	ANGLES
±.010	±.02	±0° 30'

LIST OF MATERIALS

ITEM NO.	QTY. REQD.	REFERENCE DESIGNATION	PART NUMBER	DESCRIPTION	NOTES	VENDOR	VENDOR PART NUMBER
1	1		C66080190	PRINTED WIRING BOARD ENG. 2			
2	2		C67680025	BUS BAR			
3							
4	1	U52	C51323000	INTEGRATED CKT. QUAD 2 NAND		TEX. INST.	SN74H00N-00
5	2	U28, U82	C51324000	QUAD 2 NAND			SN74S00N-00
6	9	U5, 38, U57, 58, U65, 66, U105, 106, U115	C51324004	HEX INV.			SN74S04N-00
7	1	U2	C51324005	HEX INV. W/OC			SN74S05N-00
8	1	U79	C51322008	QUAD 2 AND			SN7408N-00
9	1	U39	C51322010	TRIPLE 3 NAND			SN7410N-00
10	2	U29, U80	C51323010	TRIPLE 3 NAND			SN74H10N-00
11	4	U3, 27, U40, 59	C51324010	TRIPLE 3 NAND			SN74S10N-00
12	4	U4, 18 U30, 37	C51324011	TRIPLE 3 AND			SN74S11N-00
13	1	U8	C51323020	DUAL 4 NAND			SN74H20N-00
14	2	U69, 70	C51324020	DUAL 4 NAND			SN74S20N-00
15	3	U19, 31, U41	C51322038	QUAD 2 NAND W/OC			SN7438N-00
16	3	U76, 77, U78	C51335064	64-BIT R/W MEMORY			SN7489N-00
17	1	U15	C51324112	DUAL J-K F/F			SN74S112N-00
18	2	U49, 50	C51322145	BCD TO DEC DECODER			SN74145N-00
19	1	U16	C51324151	8 DATA SEL. MUX.			SN74S151N-00
20	2	U81, U92	C51322153	DUAL 4 TO 1 DATA SEL. MUX.			SN74153N-00
21	6	U60, 61, U62, 63, U64, 74	C51324153	DUAL 4 TO 1 DATA SEL. MUX.			SN74S153N-00
22	2	U83, 84	C51322157	QUAD 2 to 1 DATA SEL. MUX.			SN74157N-00
23	3	U71, 72, U73	C51322161	BINARY COUNTER			SN74161N-00
24	16	U97, 98, U99, U100, U101, 102, U103, 104, U107, 108, U109, 110, U111, 112, U113, 114	C51322172	16-BIT MULTI-IN REG FILE			SN74172N-00
25	5	U32, 42, U54, 67, U68	C51322174	HEX D FLIP-FLOP			SN74174N-00
26	1	U6	C51324174	HEX D FLIP-FLOP			SN74S174N-00
27	4	U89, 90, U91, 93	C51322175	QUAD D FLIP-FLOP			SN74175N-00
28	4	U7, 17, U20, 53	C51304175	INTEGRATED CKT. QUAD D FLIP-FLOP		TEX. INST.	SN74S175N-00

ORIGINATOR	W S S	18 Feb. '74
APPROVAL	<i>W. S. S.</i>	3-6-74
		3-8-74
		3/6/74
		3/1/74
		3 6 74



TITLE
BOARD ASSEMBLY - C.P.U. ENGINE NO. 2

SIZE	DOCUMENT NUMBER	REV.
B	C81080190	06
DS	SHEET 2 OF 3	PAGE

3/6/74

LIST OF MATERIALS

ITEM NO.	QTY. RECD.	REFERENCE DESIGNATION	PART NUMBER	DESCRIPTION	NOTES	VENDOR	VENDOR PART NUMBER
29							
30	1	U75	C51322193	INTEGRATED CKT. BINARY COUNTER		TEX. INST.	SN74193N-00
31	7	U85, 86, U87, 88, U94, 95, U96	C51324257	INTEGRATED CKT. QUAD 2 TO 1 DATA SEL. MUX.		TEX. INST.	SN74S257N-00
32							
33	37	C7 - C43	C52252500	CAPACITOR .01 uf, 100 V		ERIE	805-024-Z50-.01-20%-100
34	6	C1 - C6	C52326001	CAPACITOR 4.7 uf, 20 V		COMPONENTS INC	CCD-020-475
35							
36	1	C45	C52213336	CAPACITOR 47 pf, 5%		CDE	CD15ED470 J03
37	1	C44	C52213356	CAPACITOR 150 pf, 5%		CDE	CD15FD151 J03
38							
39							
40	1	R4	C54400265	RESISTOR 150Ω, 1/4W, 5%			RC07GF 151J
41	1	R5	C54400269	220Ω, ↓			RC07GF 221J
42	2	R9, 10	C54400273	330Ω, ↓			RC07GF 331J
43	3	R1, 3, 8	C54400277	470Ω, ↓			RC07GF 471J
44	4	R2, 6, 7, R11	C54400285	RESISTOR 1K, 1/4W, 5%			RC07GF 102J
45							
46	12	RM1 - RM12	C54811050	RESISTOR NETWORK 560/620		CTS	54811050
47	24		C56148000	SOCKET, 16 PIN, LOW PROFILE		SAE	CSA3100-16B
48	AR			ROM SET	△		

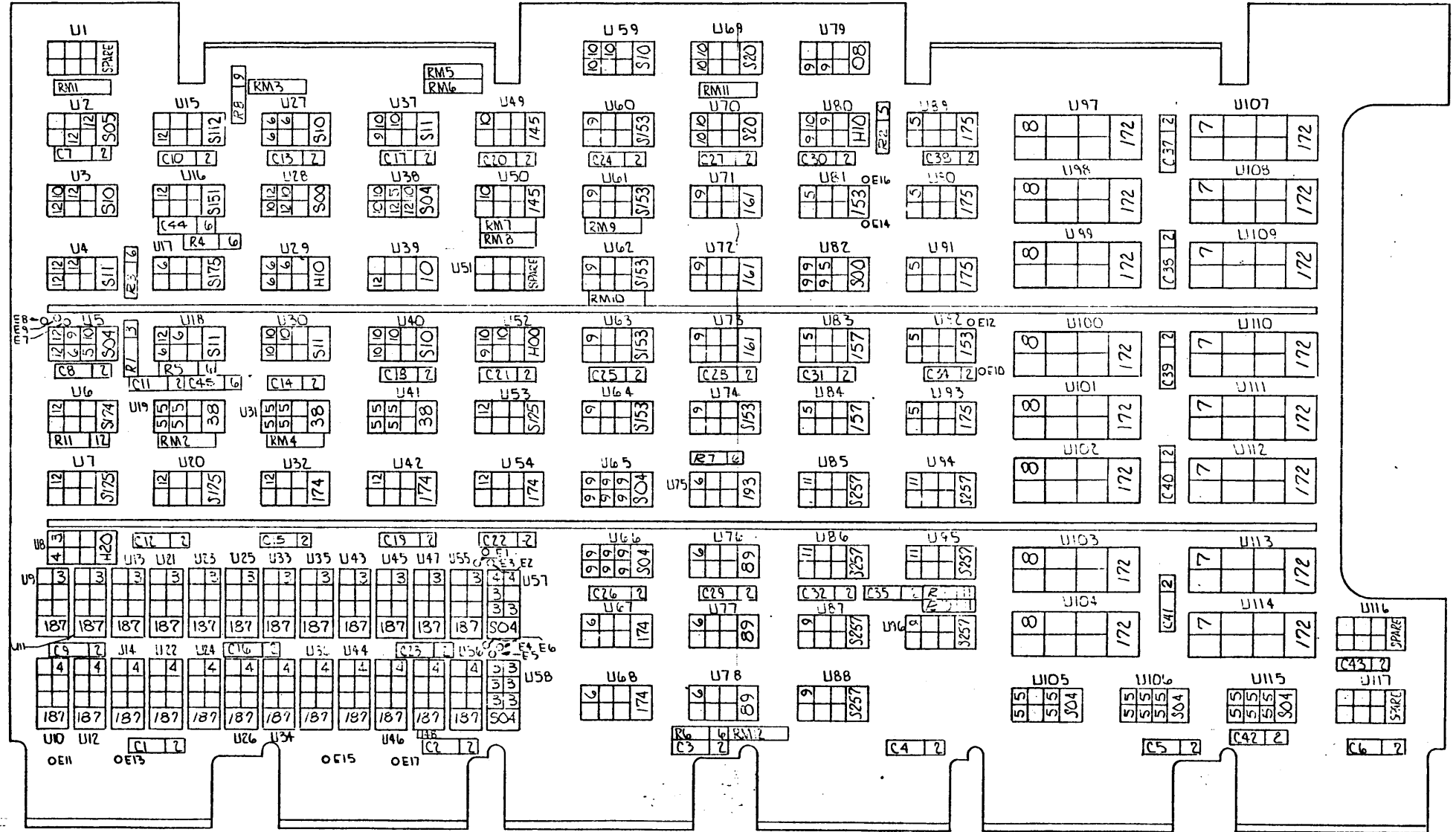
ORIGINATOR W. J. [Signature]	13 Feb 74	TITLE	BOARD ASSEMBLY - C.P.U. ENGINE NO. 2
APPROVAL [Signature]	3-6-74	SIZE	B
[Signature]	3-6-74	DOCUMENT NUMBER	C81080190
[Signature]	3/6/74	REV.	06
		DS SHEET	3 OF 3
		PAGE	

8 7 6 5 4 3 2 1

The information herein is the property of California Data Processors. It is to be used only for the purposes for which it was prepared and is not to be reproduced, stored in a retrieval system, or transmitted in any form or by any means, electronic, mechanical, photocopying, recording, or by any information storage and retrieval system, without written authorization from an officer of the above firm.

RELEASE STATUS			REVISIONS			
RELEASE LEVEL	DES SERVICES	DATE	ZONE LTR	DESCRIPTION	DATE	APPROVED
EXPERIMENTAL			01	REL PER URM 100000-3	2-22-74	
ENGINEERING			02	REVISED PER ECO DRAWING 63-01	5-14-74	
PRODUCTION				THIS EFFECTED 12.11		

ATTACHED E.O. RECORD	
E.O. NUMBER	DATE



REFERENCE DESIGNATIONS		
COMPONENT	HIGHEST NUMBER	NUMBERS NOT USED
CAPACITOR	C45	
"E" POINT	E17	
INT. CIRCUIT	U117	
RESISTOR	R11	
RES. MOD	RM12	

2. REVISIONS TO THIS DOCUMENT WILL BE MAINTAINED ON A PER SHEET BASIS. FOR REVISION LOG SEE SHEET 2.
1. FUNCTIONS CODED WITH THIS NOTE ARE ASSIGNED ON THE BACKPLANE AND ARE NOT USED ON THIS ASSEMBLY.

NOTES: UNLESS OTHERWISE SPECIFIED

PART/ASSY NO. & QTY PER ASSY		NOTE	PART OR IDENTIFYING NO.	NOMENCLATURE OR DESCRIPTION / MATERIAL	SPEC/SOURCE	CODE IDENT NO.	1
02		DO NOT SCALE DRAWING					
PART/ASSY REV LTR		SCREW THREADS PER HANDBOOK #28					
		COUNTERBORE AND SPOTFACE FILET RADI TO BE .010 MAXIMUM					
		REMOVE ALL BURRS AND BREAK SHARP EDGES EQUIVALENT TO .010					
		ROUGHNESS OF MACHINED SURFACES 125 PER USAS #41					
		STANDARD HOLE TOLERANCE PER AND 3787					
		TOLERANCES ON DR = .02 DIA = .010 ANGLES = 2° ± 30'					
		INTERPRET DIMENSIONS AND TOLERANCES PER USAS #145					
		DIMENSIONS ARE IN INCHES AND APPLY AFTER HEAT TREAT AND FINISH UNLESS OTHERWISE SPECIFIED					
APPLICATION							

PARTS LIST		CONTRACT NO.
DRW		
CHECK		
ENGR		
PROJ. ENGR		
TECH. DIR.		
PROD. MGT.		
PRODUCTION		
Q.A.		

california data processors	
2079 south vintney street - santa ana, california 92705 - (714) 558-8211	
DWG TITLE	
BOARD SCHEMATIC, CPU - ENGINE NO. 2	
SIZE	CODE IDENT NO. DWG NO.
D	21080190
SCALE: NONE	REV: 02
SHEET 1 OF 1	

8 7 6 5 4 3 2 1

The information herein is the property of Fairchild Semiconductor Corporation and is loaned to you for your internal use only. It is not to be distributed outside your organization and is not to be reproduced, stored in a retrieval system, or transmitted in any form or by any means, electronic, mechanical, photocopying, recording, or by any information storage and retrieval system, without written authorization from an officer of the company.

REVISIONS			
ZONE/LTR	DESCRIPTION	DATE	APPROVED
SEE SHEET 1			

1	2	3	4	5	6	7	8	9	10	11	12	13	14	15	16	17	18	19	20	21	22	23	24	25
	O1	O1	O1	O1	O1	O1	O1	O1	O1															
O2	O2							O2																

PAGE NO	A	J2	B	PAGE NO
6	LOADC-L	1		
	BREQ-H	2	MINTP-L	9
	BGRNT-L	3	BYTDA-L	10
	BGEN-H	4		
	MMINH-L	5	MARLD-H	1
	DAINH-L	6	CCEN-H	9
	SPF07-L	7	SPRIA-L	1
	SPF05-L	8	SPRIA-L	
	SPF06-L	9	SPRIB-L	
	SPENC-H	10	MLTPY-L	
	INHBF-L	11	ENSFC-H	
9	EMLAT-H	12	CROOB-H	1
	PFAIL-L	13		
	AUCIN-L	14		
	WRITE-L	15	FILE6-H	10
	IRERD-H	16	XABIS-L	10
	INTR-H	17	XA007-L	10
	MMCO-L	18	RSTRA-L	10
	MMCI-L	19	YELLW-L	1
12	CRO07-H	20	BYTMD-L	1
	SLINT-H	21	M3006-H	1
10	DRWEN-L	22	RRWEN-L	10
9	EIA001-H	23	EIA000-H	9
9	EIA003-H	24	EIA002-H	9
9	EIA005-H	25	EIA004-H	9
9	EIA007-H	26	EIA006-H	9
	EIA009-H	27	EIA008-H	9
	EIA011-H	28	EIA010-H	1
	EIA013-H	29	EIA012-H	
	EIA015-H	30	EIA014-H	1

PAGE NO	A	J1	B	PAGE NO
12	SKIPP-L	1	EMAO0-H	1
10	ARWEN-L	2	EMAO1-H	
10	SLWEN-L	3	EMAO2-H	
	SSYER-H	4	EMAO3-H	
	DSYER-H	5	EMAO4-H	
	LDSPF-H	6	EMAO5-H	
6	FINTP-L	7	EMAO6-H	
6	SPENC-H	8	EMAO7-H	1
	HALTP-L	9		
		10		
	CARRY-H	11		
		12		
	ADERE-H	13		
	PS003-L	14		
		15	XD007-L	10
		16	XD815-L	10
		17	XB815-L	10
9	CCWEN-H	18	XB007-L	10
9	STATIC-L	19	LITEL-L	10
	MSYN-H	20	PLUSI-L	10
	SPF04-L	21	PSWEN-L	10
	BBINH-L	22	IRWEN-L	10
7	BB001-H	23	BB000-H	7
7	BB003-H	24	BB002-H	7
7	BB005-H	25	BB004-H	7
7	BB007-H	26	BB006-H	7
7	BB009-H	27	BB008-H	7
7	BB011-H	28	BB010-H	7
7	BB013-H	29	BB012-H	7
7	BB015-H	30	BB014-H	7

PAGE NO	I	F	2	PAGE NO
3	CMO28-H	A	+5V	2
3	CMO29-H	B	-15V	2
3	CMO31-H	C	GND	2
3	CMO30-H	D	CMO32-H	3
3	CMO33-H	E	CMO34-H	3
3	CMO35-H	F	DADO2-H	5
3	CMO37-H	H	CMO36-H	3
3	CMO39-H	J	CMO38-H	3
12	IRPTE-L	K	CMO40-H	3
3	CMO41-H	L	CMO42-H	3
3	CMO43-H	M	CPEX-L	3
3	CMO45-H	N	CMO44-H	3
3	CMO47-H	P	CMO46-H	3
5	DADO3-H	R	ACMS-L	3
		S	AUX2M-L	3
2	GND	T	IRINH-L	12
		U	IWAIT-L	12
12	BSYCK-L	V	GND	2

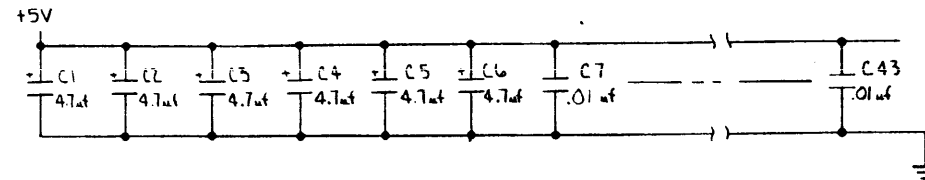
PAGE NO	I	E	2	PAGE NO
3	CMO00-H	A	+5V	2
3	CMO01-H	B	-15V	2
3	CMO02-H	C	GND	2
3	CMO03-H	D	CMO04-H	3
3	CMO05-H	E	CMO06-H	3
3	CMO07-H	F	EMINH-L	3
3	CMO09-H	H	CMO08-H	3
3	CMO11-H	J	CMO10-H	3
3	CMO13-H	L	CMO14-H	3
3	CMO15-H	M	DADO1-H	5
3	CMO17-H	N	CMO16-H	3
3	CMO19-H	P	CMO18-H	3
3	SR0-L	R	CMO20-H	3
3	CMO21-H	S	CMO22-H	3
2	GND	T	CMO24-H	3
3	CMO23-H	U	CMO26-H	3
3	CMO25-H	V	CMO27-H	3

PAGE NO	I	D	2	PAGE NO
11	PFINT-H	A	+5V	2
	HLINT-H	B	-15V	1
	DS16-H	C	GND	2
	DS17-H	D	LTCL-L	1
	VIRTAD-H	E	PBBSY-L	
9	CC0X0-L	F	HALTP-L	
9	CC001-L	H	M3R15-L	1
9	CC002-L	J	RESET-L	6
9	CC003-L	K	BG7-IN	1
9	CC004-L	L	BG7-OUT	
9	CC005-L	M	BG6-IN	
9	CC006-L	N	BG6-OUT	
9	CC007-L	P	BG5-IN	
9	CC008-L	R	BG5-OUT	
9	CC009-L	S	BG4-IN	
2	GND	T	BG4-OUT	
9	CC010-L	U	NPG-IN	
9	CC011-L	V	NPG-OUT	1

PAGE NO	I	C	2	PAGE NO
5	MB000-L	A	+5V	2
5	MB001-L	B	-15V	2
5	MB002-L	C	GND	2
5	MB003-L	D	MB004-L	5
5	MB005-L	E	MB006-L	5
5	MB007-L	F	MB008-L	5
5	MB009-L	H	MB010-L	5
5	MB011-L	J	MB012-L	5
5	MB013-L	K	MB014-L	5
5	MB015-L	L	AB000-H	7
7	AB001-H	M	AB002-H	7
7	AB003-H	N	AB004-H	7
7	AB005-H	P	AB006-H	7
7	AB007-H	R	AB008-H	7
7	AB009-H	S	AB010-H	7
2	GND	T	AB011-H	7
7	AB013-H	U	AB012-H	7
7	AB015-H	V	AB014-H	7

PAGE NO	I	B	2	PAGE NO
	BUS BG6-H	A	+5V	2
	BUS BG5-H	B	GND	2
	BUS BR5-L	C	GND	2
2	GND	D	BUS BR4-L	
2	GND	E	BUS BG4-L	
	BUS ACLO-L	F	BUS DCLO-L	
	BUS AO1-L	H	BUS AOO-L	
	BUS AO3-L	J	BUS AO2-L	
	BUS AO5-L	K	BUS AO4-L	
	BUS AO7-L	L	BUS AO6-L	
	BUS AO9-L	M	BUS AO8-L	
	BUS A11-L	N	BUS A10-L	
	BUS A13-L	P	BUS A12-L	
	BUS A15-L	R	BUS A14-L	
	BUS A17-L	S	BUS A16-L	
2	GND	T	BUS C1-L	
	BUS SSYN-L	U	BUS CO-L	
	BUS MSYN-L	V	GND	2

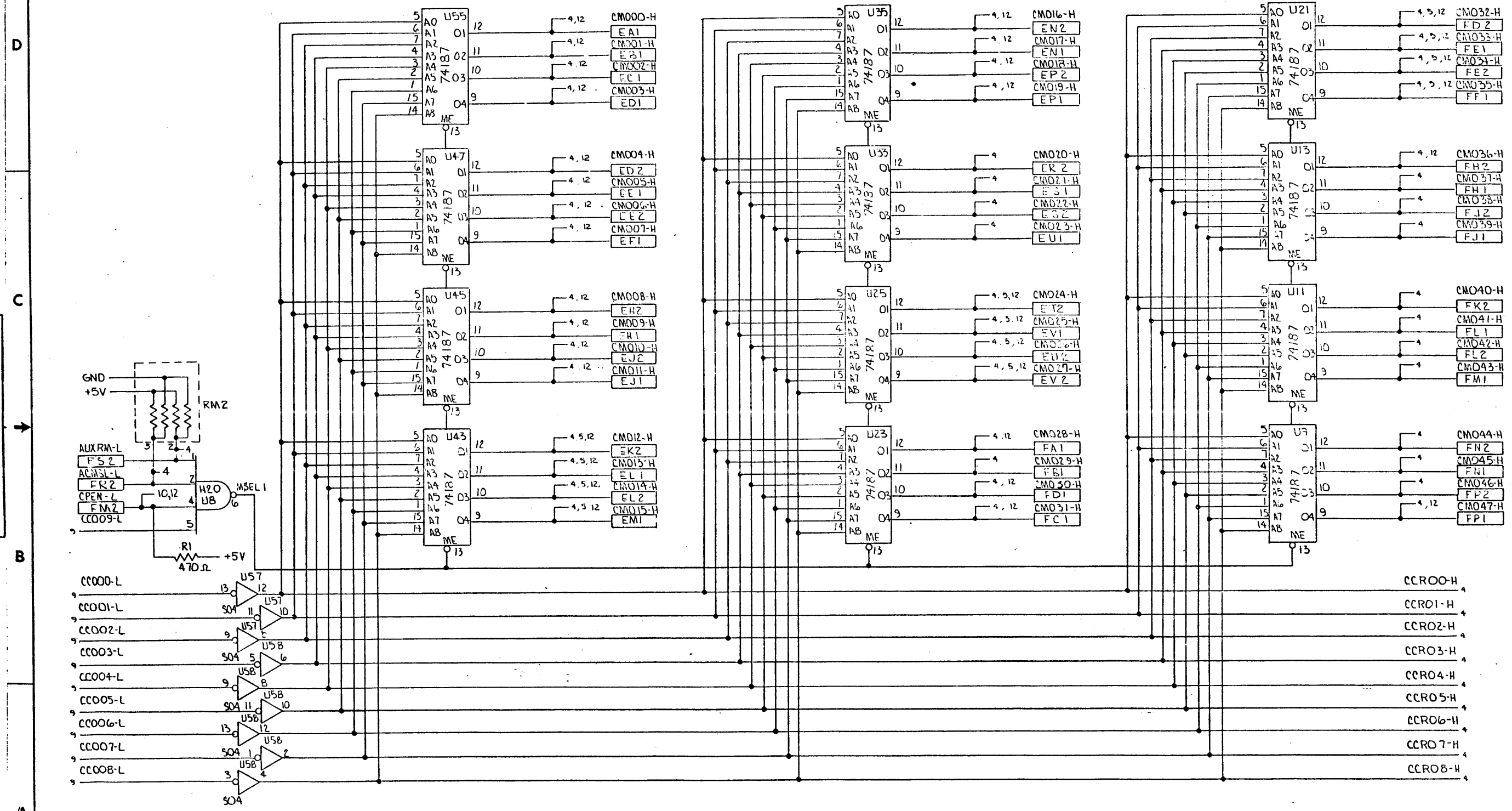
PAGE NO	I	A	2	PAGE NO
	BUS INIT-L	A	+5V	2
	BUS INTR-L	B	GND	2
	BUS DOO-L	C	GND	2
	BUS DO2-L	E	BUS DO1-L	
	BUS DO4-L	F	BUS DO3-L	
	BUS DO6-L	F	BUS DO5-L	
	BUS DO8-L	H	BUS DO7-L	
	BUS D10-L	J	BUS D09-L	
	BUS D12-L	K	BUS D11-L	
	BUS D14-L	L	BUS D13-L	
	BUS PA-L	M	BUS D15-L	
2	GND	N	BUS PB-L	
2	GND	P	BUS BBSY-L	
2	GND	R	BUS SACK-L	
2	GND	S	BUS WPR-L	
2	GND	T	BUS BR7-L	
	BUS NPG-H	U	BUS BR6-L	
	BUS BG7-H	V	GND	2



21080190

The information herein is the property of California Data Processors. Transmittal in any form or possession of the information does not constitute license, or imply any rights in use, fact, or manufacture, from this information and its reproduction or publication of it, in whole or in part, shall be made without written authorization from an officer of the above firm.

REVISIONS				
ZONE	LTR	DESCRIPTION	DATE	APPROVED
		SEE SHEET 1		

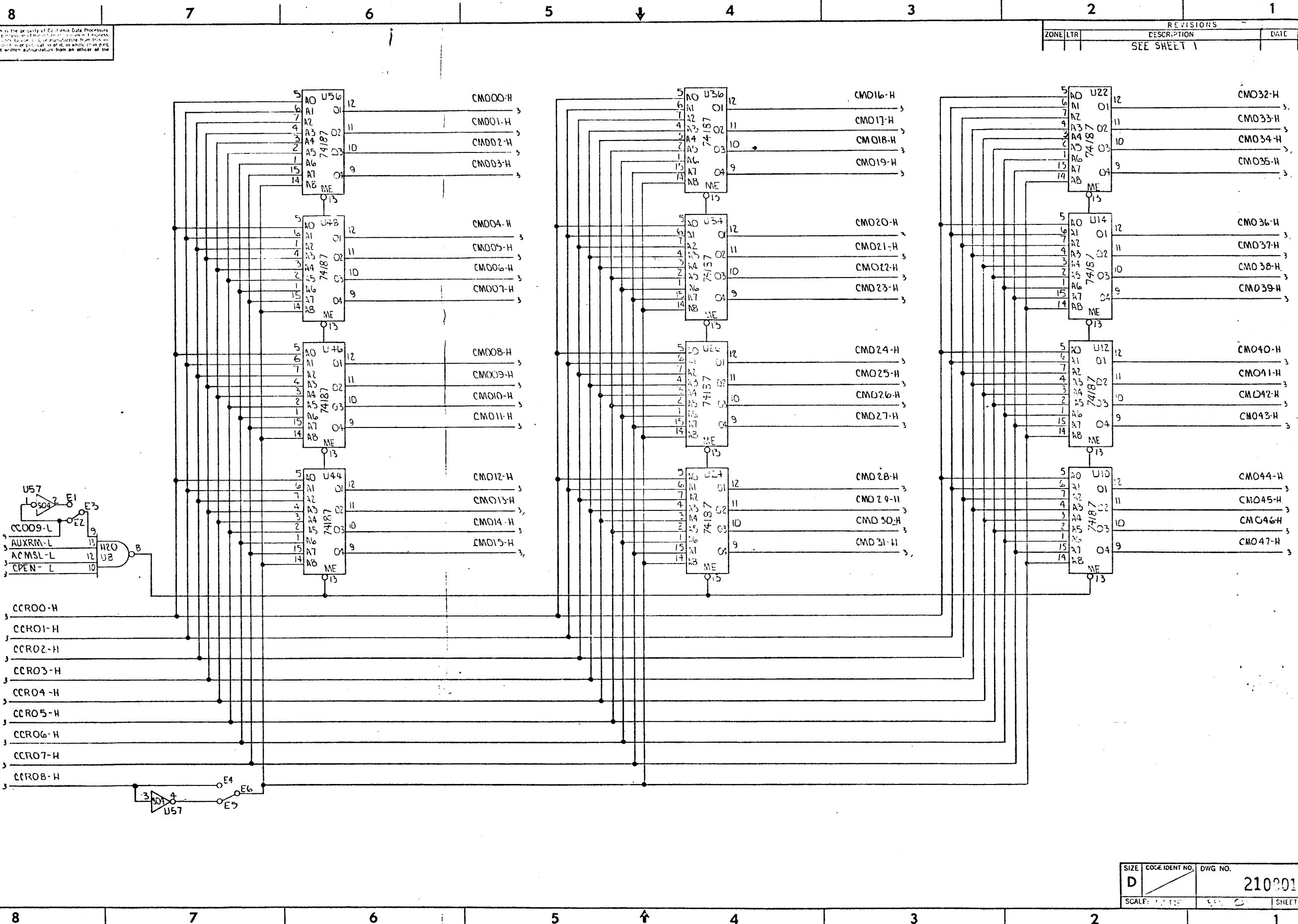


SIZE	CODE IDENT NO.	DWG NO.
D		21020190
SCALE: 1:ONE	REV: 0	SHEET 3 OF 12

The information herein is the property of Collins Data Processor
 Inc. and is loaned to you for use in the development of a project.
 It is not to be distributed outside of the project. Any reproduction,
 in whole or in part, without the written authorization of an officer of the
 above firm, is prohibited.

REVISIONS				
ZONE	LTR	DESCRIPTION	DATE	APPROVED
		SEE SHEET 1		

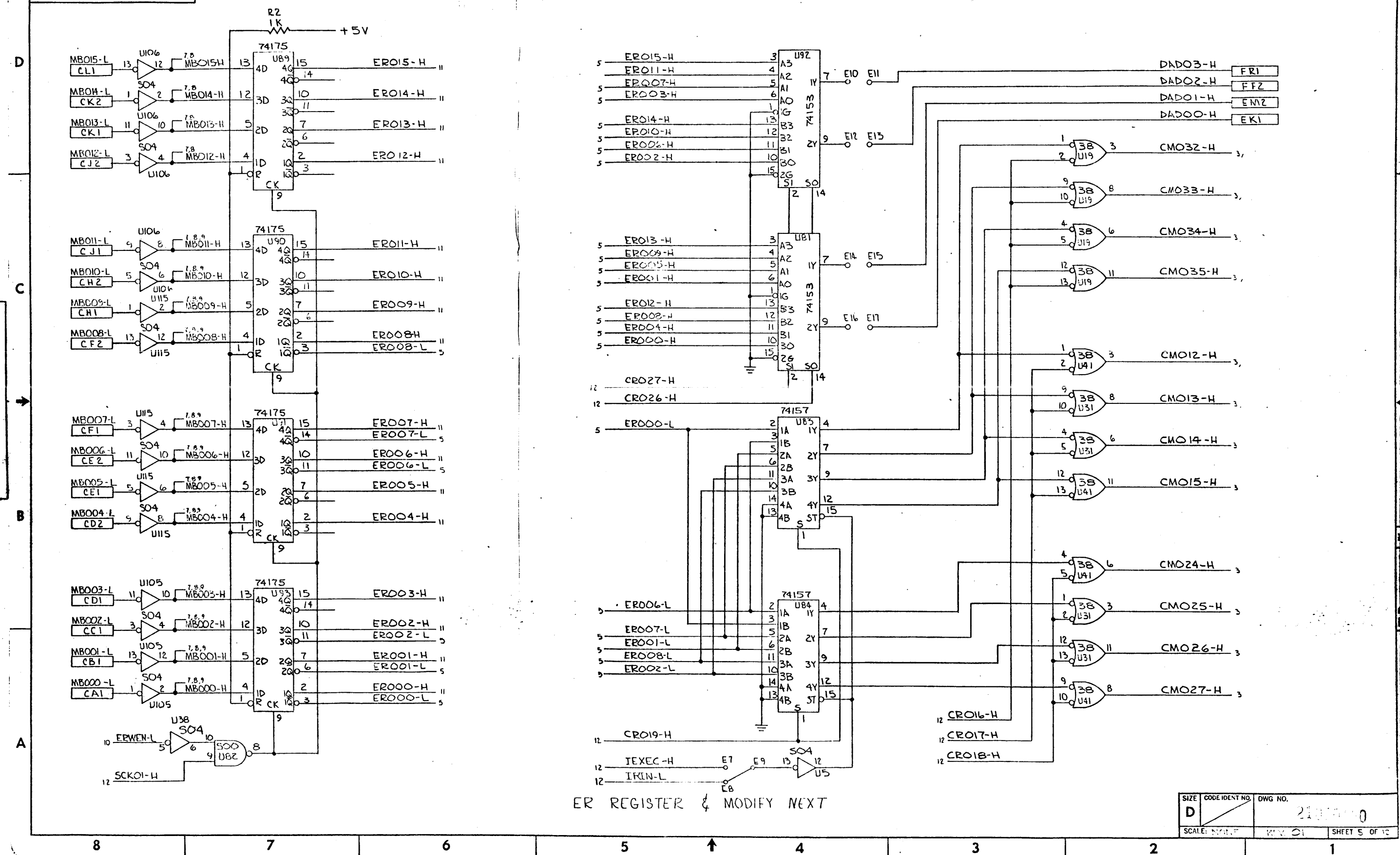
D
C
B
A



SIZE D	COSE IDENT NO.	DWG NO. 21020190
SCALE: 1:1	SHEET 4 OF 12	

REVISIONS				
ZONE	LTR	DESCRIPTION	DATE	APPROVED
		SEE SHEET 1		

The information herein is the property of California Data Processors. It is loaned to you for your use only and is not to be distributed, copied, or reproduced in any form without the written authorization of California Data Processors. If you are not an authorized user, you are notified that any use of this information without the written authorization of California Data Processors is strictly prohibited.

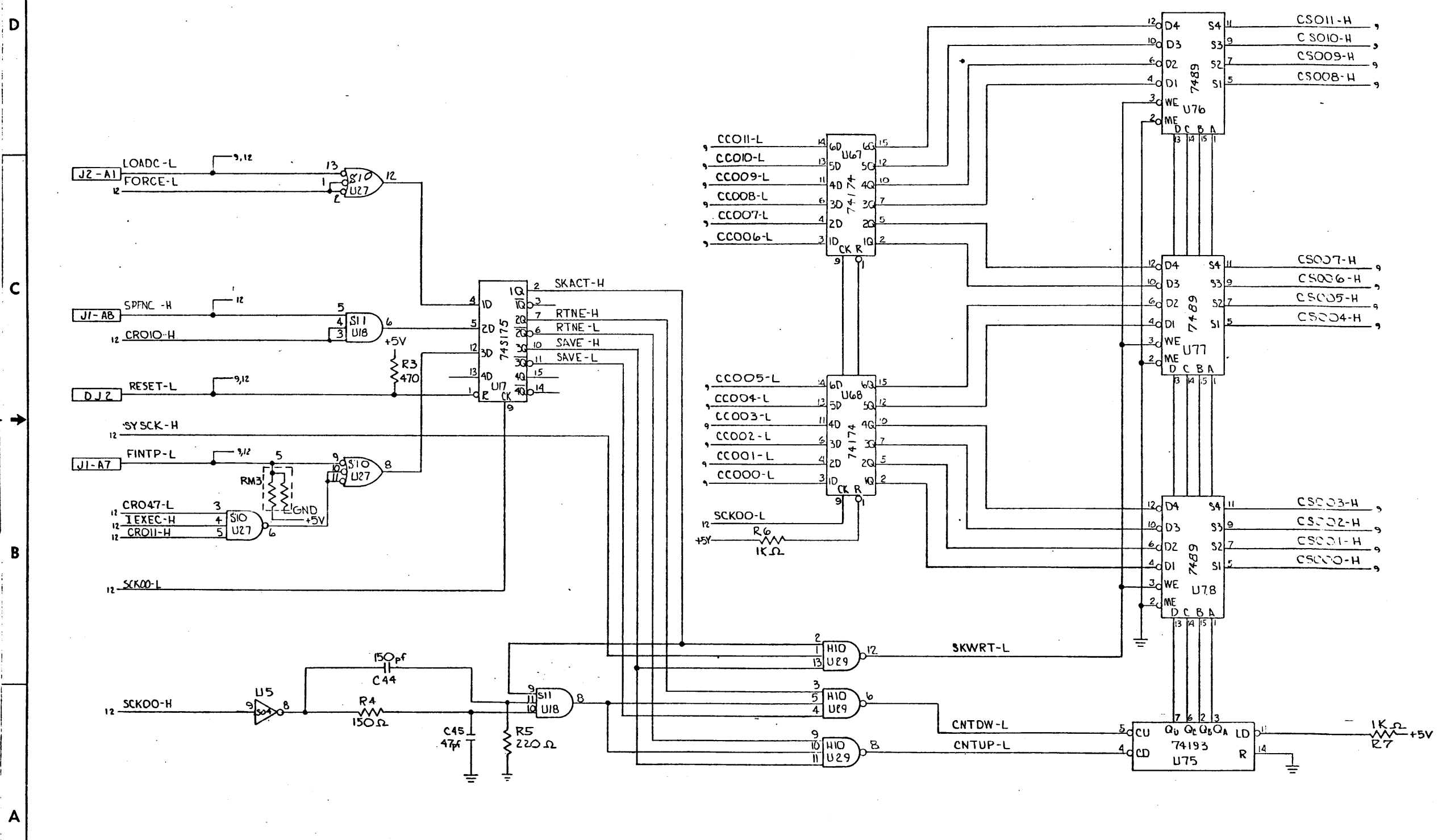


ER REGISTER & MODIFY NEXT

SIZE D	CODE IDENT NO.	DWG NO. 210000
SCALE: NONE	REV: 01	SHEET 5 OF 10

The information herein is the property of California State Processors. It is confidential and its disclosure to any person other than those authorized to receive it is prohibited. No part of this information shall be made without written authorization from an officer of the State Farm.

REVISIONS				
ZONE	LTR	DESCRIPTION	DATE	APPROVED
		SEE SHEET 1		

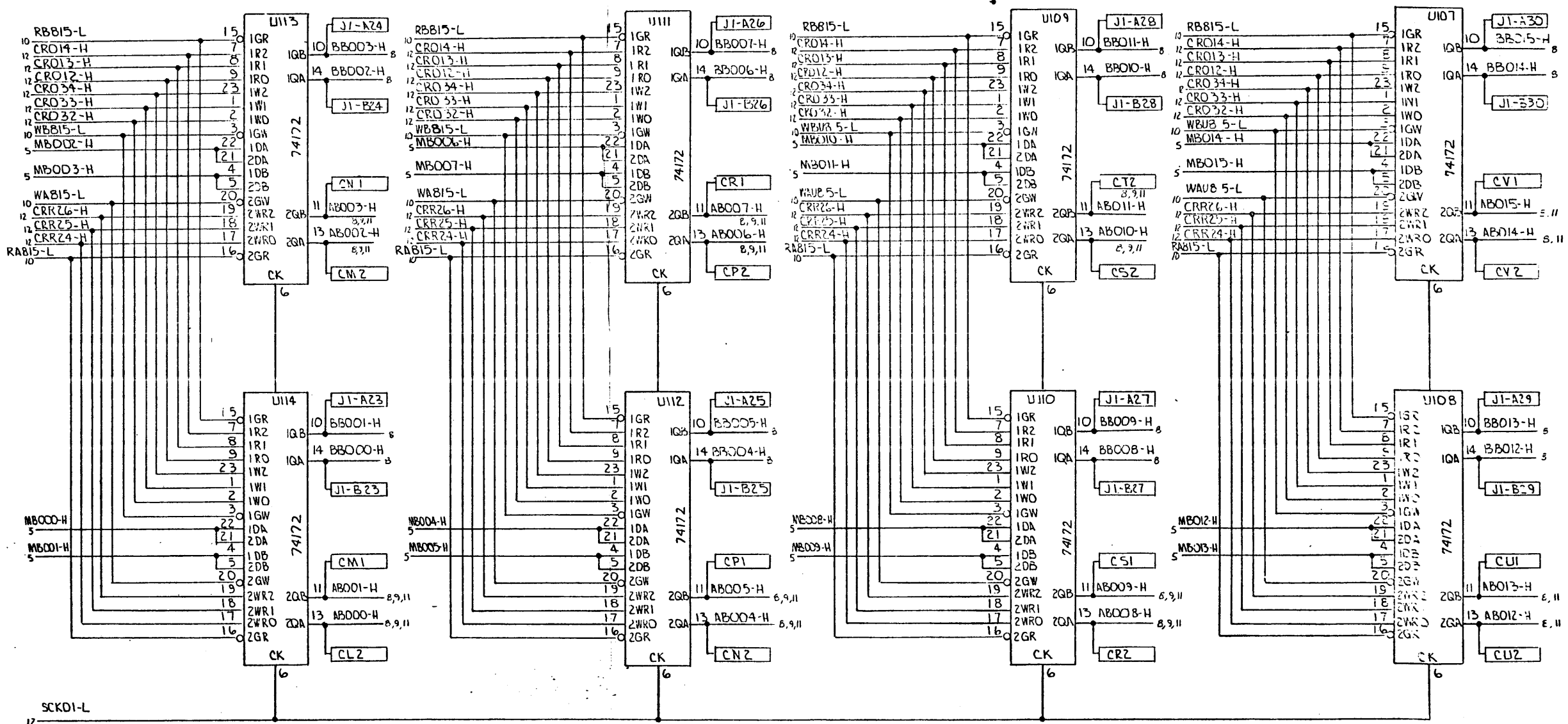


SIZE D	CODE IDENT NO.	DWG NO. 21090190
SCALE: 1:1		SHEET 2 OF 10

The information herein is the property of California Data Processor. Transmittal, receipt or possession of the information does not express, license, or imply any rights to use, sell, or manufacture from this information and no reproduction or publication of it, in whole or in part, shall be made without written authorization from an officer of the above firm.

REVISIONS				
ZONE	LTR	DESCRIPTION	DATE	APPROVED
		SEE SHEET 1		

D
C
B
A



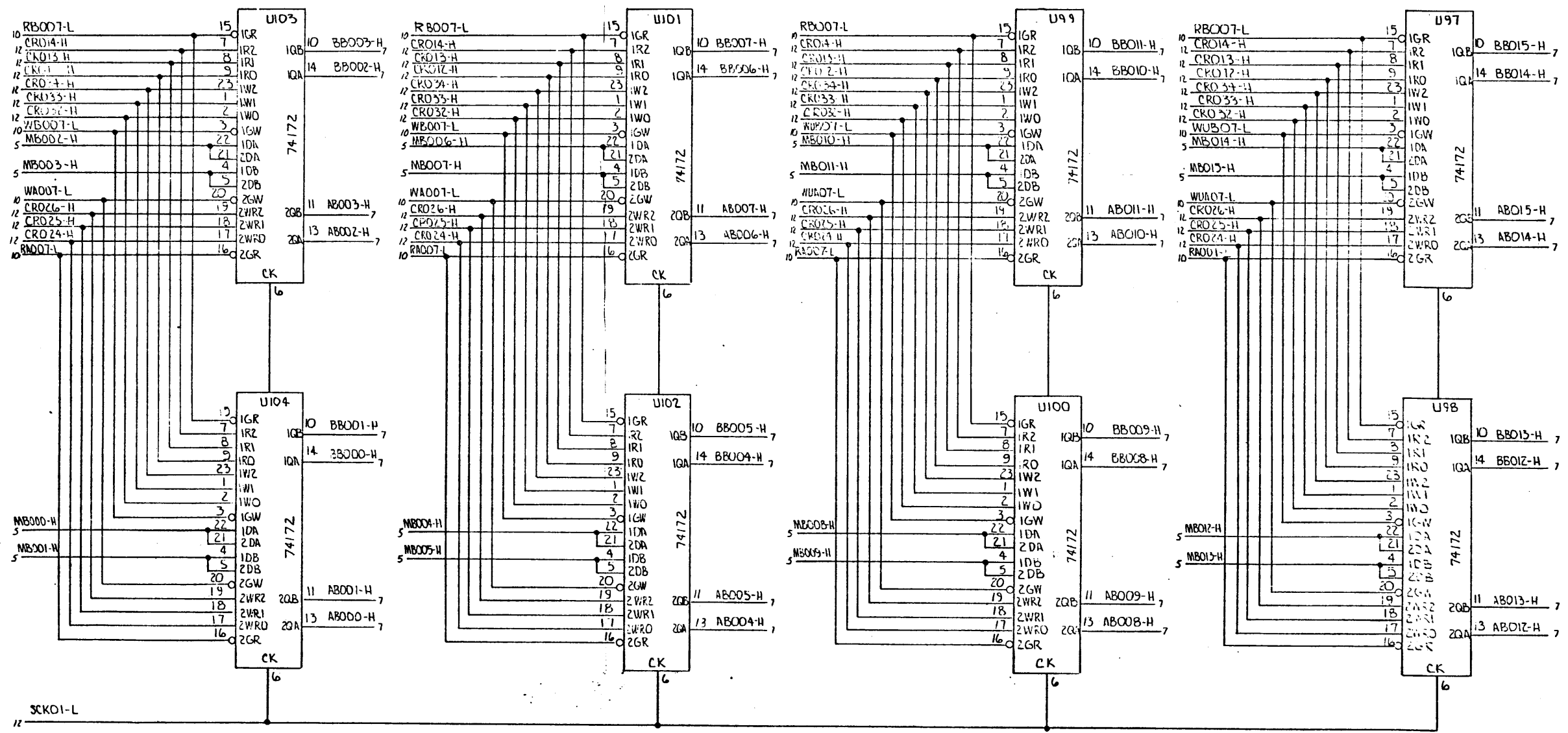
GENERAL PURPOSE FILES (8-15)

LOWER BYTE - LOWER NIBBLE LOWER BYTE - UPPER NIBBLE UPPER BYTE - LOWER NIBBLE UPPER BYTE - UPPER NIBBLE

SIZE	CODE IDENT NO.	DWG NO.
D		21080190
SCALE: AS SHOWN	REV: 0	SHEET 7 OF 10

The information herein is the property of California Data Processors, Inc. and is loaned to you for your use only. It is not to be distributed, copied, or reproduced in any form, or by any means, without the written consent of California Data Processors, Inc. All rights reserved. This information and its reproduction or publication of all or in whole or in part shall be made without written authorization from an officer of the above firm.

REVISIONS			
ZONE	LTR	DESCRIPTION	DATE
		SEE SHEET 1	



GENERAL PURPOSE FILES (0-7)

LOWER BYTE - LOWER NIBBLE

LOWER BYTE - UPPER NIBBLE

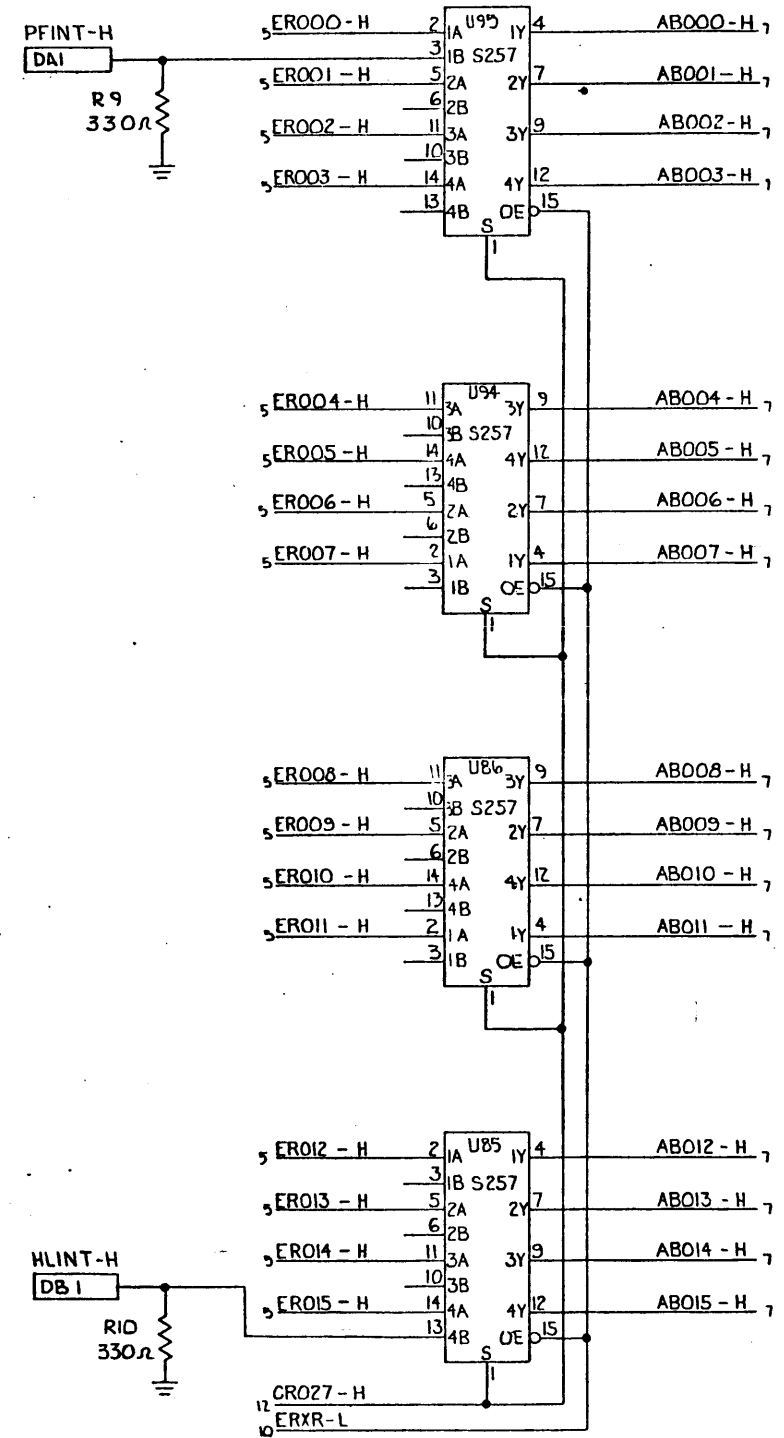
UPPER BYTE LOWER NIBBLE

UPPER BYTE - UPPER NIBBLE

SIZE	CODE IDENT NO.	DWG NO.
D		21080190
SCALE: NONE	REV 01	SHEET 2 OF 12

The information herein is the property of California Data Processors. Transmittal, receipt or possession of the information does not express, license, or imply any rights to use, sell, or manufacture from this information and no reproduction or publication of it, in whole or in part, shall be made without written authorization from an officer of the above firm.

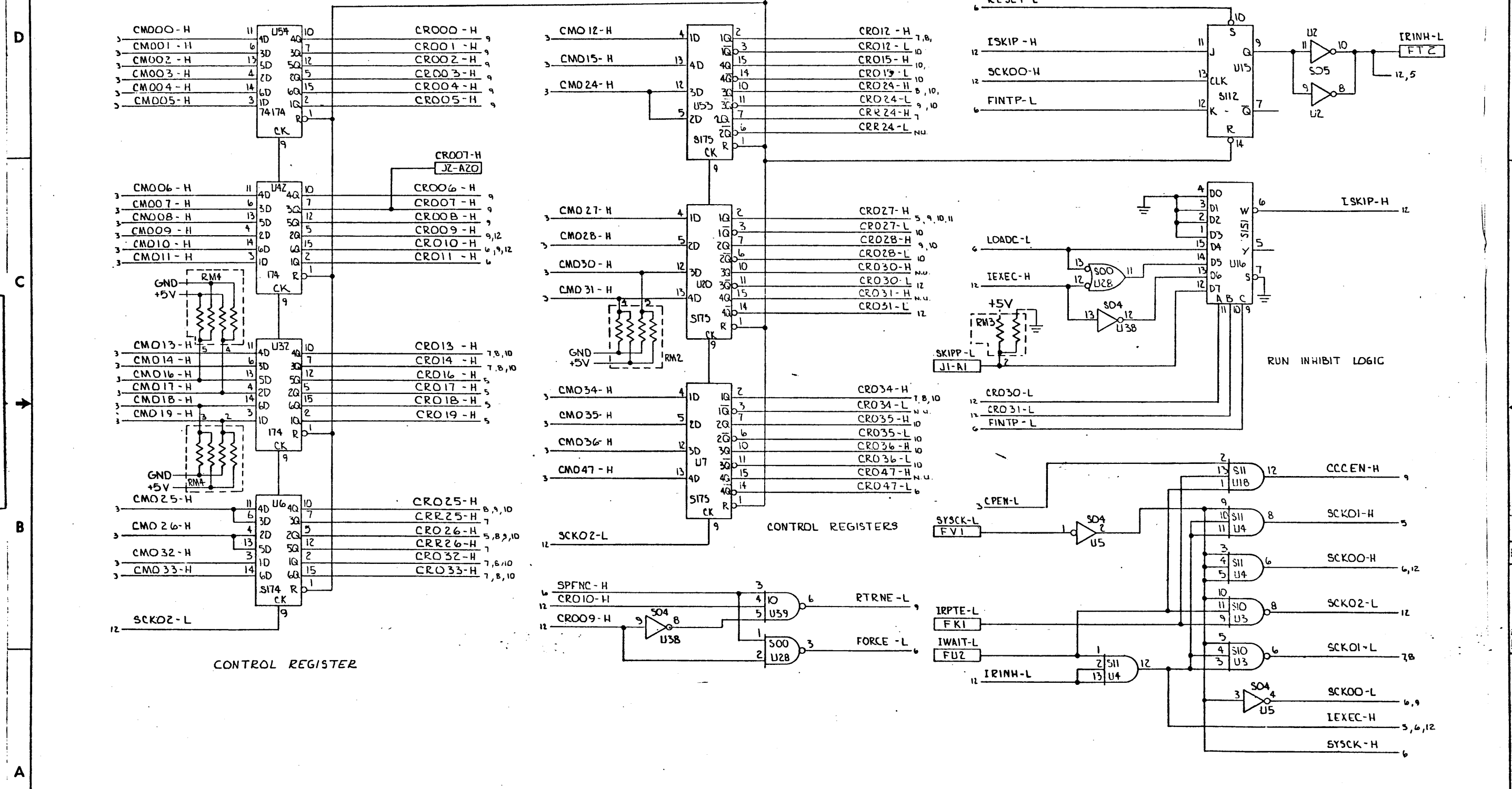
REVISIONS				
ZONE	LTR	DESCRIPTION	DATE	APPROVED
		SEE SHEET 1		



SIZE	CODE IDENT NO.	DWG NO.
D		21000190
SCALE: NONE	REV. 02	SHEET 11 OF 12

The information herein is the property of California Data Processors. Transmittal, receipt or possession of this information does not constitute, in itself, any right to use, sell, or manufacture from it in any form and no production or publication of it, in whole or in part, shall be made without written authorization from an officer of the above firm.

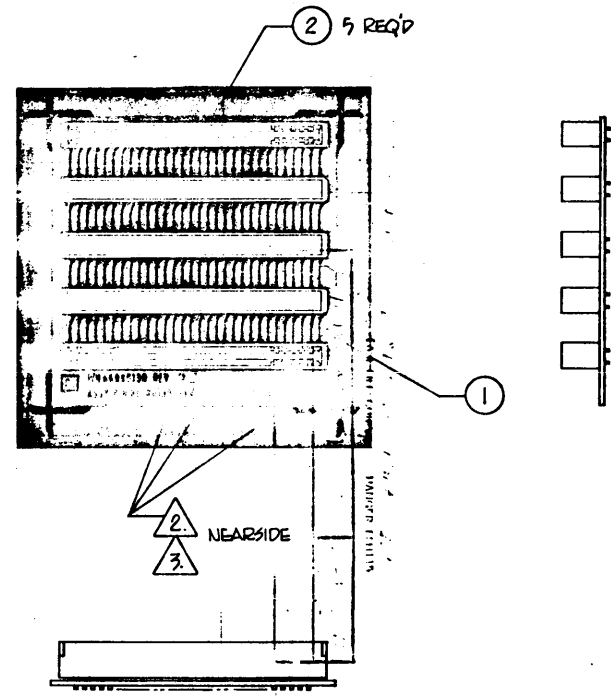
REVISIONS				
ZONE	LTR	DESCRIPTION	DATE	APPROVED
		SEE SHEET 1		



SIZE	CODE IDENT NO.	DWG NO.
D		21000100
SCALE: NONE	REV. 01	SHEET 12 OF 12

The information herein is the property of California Data Processors. Transmittal, receipt or possession of the information does not express, license, or imply any rights to use, sell, or manufacture from this information and no reproduction or publication of it, in whole or in part, shall be made without written authorization from an officer of the above firm.

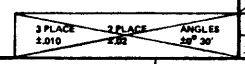
RELEASE STATUS			REVISIONS					
RELEASE LEVEL	APPROVED	DATE	REV.	ECO.	DESCRIPTION	ORIG.	DATE	APP.
EXPERIMENTAL			01	-5-	REV D800099	BC	3-8-74	W
ENGINEERING								
PRODUCTION								



- 5. FOR SCHEMATIC SEE 21080130.
- 4. REFERENCE DOCUMENTS: PRODUCT SPECIFICATION: 22410014, TEST SPECIFICATION: 22413013.
- 3. SERIAL NUMBER TO BE PREFIXED WITH A DIVISION CODE WHICH AGREE WITH A PLACE OF MANUFACTURE: DS EQUAL - SANTA ANA, DE EQUAL - EDINA.
- 2. MARK ASSEMBLY LATEST REV LETTER TO WHICH IT WAS BUILT. ASSY SERIAL NUMBER AND EIA FOUR DIGIT DATE CODE. LETTERING TO BE .12 HIGH BLACK EPOXY PAINT, VERTICAL GOTHIC AND LOCATED APPROX. AS SHOWN.
- 1. MAKE PER DATA 100 SPEC 21100010 AND 22270100.


NOTES: UNLESS OTHERWISE SPECIFIED

ITEM	PART NO.	QTY.	DESCRIPTION
		TITLE	
ORIGINATOR CLEVELAND		BOARD ASSEMBLY, CPU INTERCONNECT	
APPROVAL <i>W. H. ...</i>		DATE 3-8-74	REV. 01
APPROVAL <i>...</i>		DATE 3-8-74	SIZE D
APPROVAL <i>...</i>		DATE 3-8-74	DOCUMENT NUMBER C 81080130
APPROVAL <i>...</i>		DATE 3-8-74	SHEET 1 OF 2
APPROVAL <i>...</i>		DATE 3-8-74	UNLESS OTHERWISE SPECIFIED FRACTIONS DECIMALS ANGLES
APPROVAL <i>...</i>		DATE 3-8-74	DO NOT SCALE PRINT SCALE 1/1



LIST OF MATERIALS

ITEM NO.	QTY. REQD.	REFERENCE DESIGNATION	PART NUMBER	DESCRIPTION	NOTES	VENDOR	VENDOR PART NUMBER
1	1		66080170	P.W. BOARD, C.P.U. INTERCONNECT			
2	5		56171070	CONNECTOR, EDGE		VIKING	3VH30/IJV-12

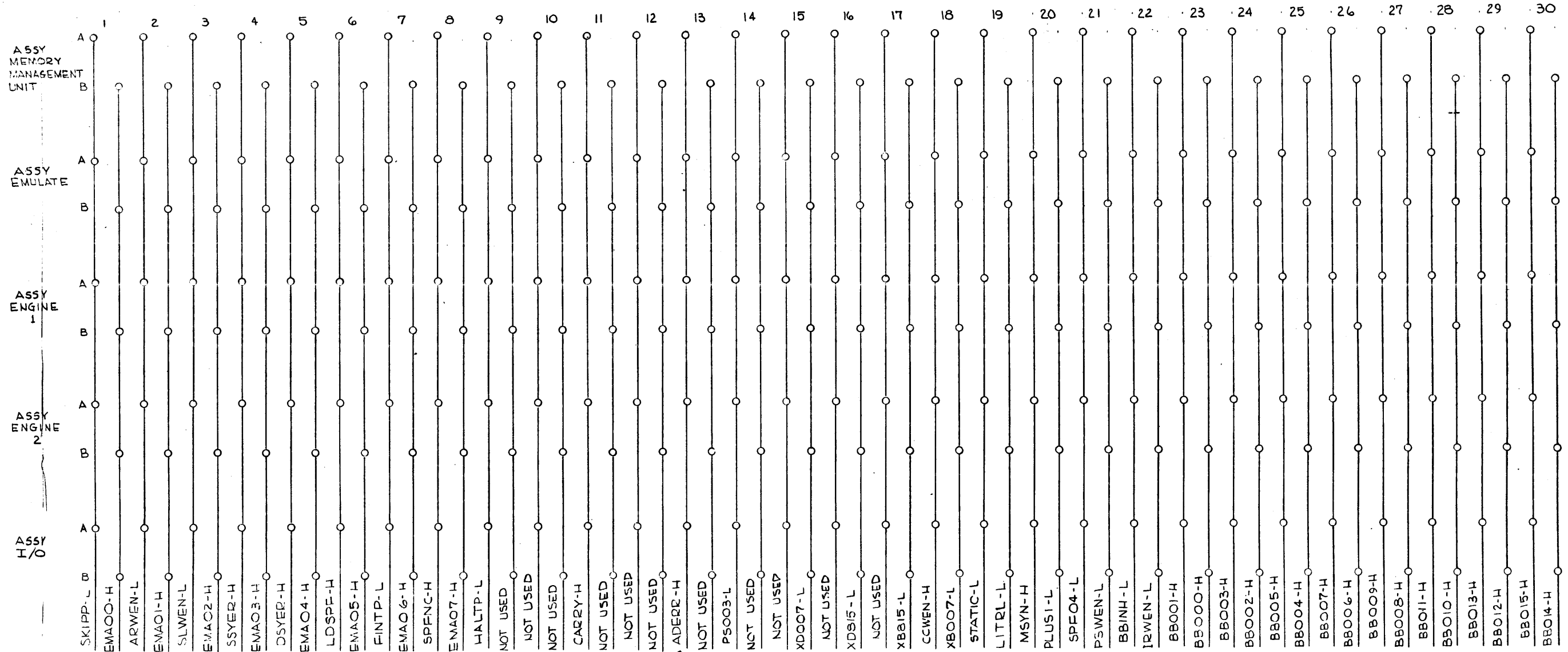
ORIGINATOR CLEVELAND	3-8-74	 california data processors	TITLE BOARD ASSEMBLY, CPU INTERCONNECT
APPROVAL <i>[Signature]</i>	2-8-74		SIZE B
<i>[Signature]</i>	3-5-74		REV. 01
<i>[Signature]</i>	3-8-74		
<i>[Signature]</i>	2/8/74		
<i>[Signature]</i>	3-8-74		
SHEET 2 OF 2		PAGE	


8 7 6 5 4 3 2 1

THIS DRAWING IS THE PROPERTY OF CALIFORNIA DATA PROCESSORS. IT IS TO BE USED ONLY FOR THE PURPOSES SPECIFIED HEREIN. NO PART OF THIS DRAWING IS TO BE REPRODUCED OR TRANSMITTED IN ANY FORM OR BY ANY MEANS, ELECTRONIC OR MECHANICAL, INCLUDING PHOTOCOPYING, RECORDING, OR BY ANY INFORMATION STORAGE AND RETRIEVAL SYSTEM, WITHOUT THE WRITTEN PERMISSION OF CALIFORNIA DATA PROCESSORS. THIS DRAWING IS TO BE USED ONLY FOR THE PURPOSES SPECIFIED HEREIN. NO PART OF THIS DRAWING IS TO BE REPRODUCED OR TRANSMITTED IN ANY FORM OR BY ANY MEANS, ELECTRONIC OR MECHANICAL, INCLUDING PHOTOCOPYING, RECORDING, OR BY ANY INFORMATION STORAGE AND RETRIEVAL SYSTEM, WITHOUT THE WRITTEN PERMISSION OF CALIFORNIA DATA PROCESSORS.

RELEASE STATUS				REVISIONS			
RELEASE LEVEL	APPROVED	DATE	REV.	ECO.	DESCRIPTION	ORIG.	DATE
EXPERIMENTAL			01	5	DEN D500120	EXT 5/24/74	
ENGINEERING							
PRODUCTION							

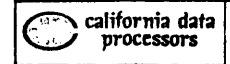
CONNECTOR J1 




 WHEN THIS BOARD IS INSTALLED ONTO THE CPU ASSEMBLIES AT CONNECTOR J1 THE SIGNALS AS SHOWN ON SHEET 1 OF THIS DRAWING APPLY, WHEN INSTALLED ONTO J2 THE SIGNALS AS SHOWN ON SHEET 2 OF THIS DRAWING APPLY.

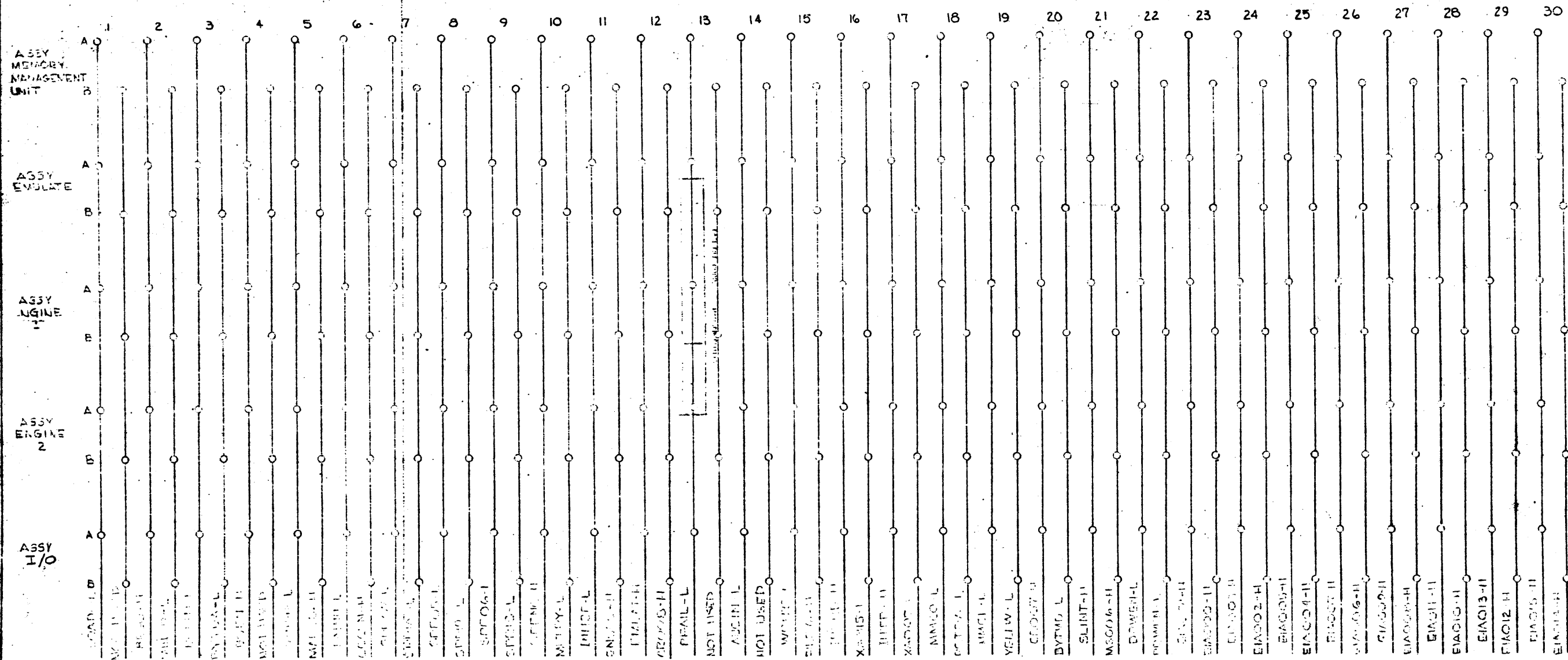
1. FOR BOARD ASSEMBLY SEE 81050130.

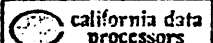
NOTES: UNLESS OTHERWISE SPECIFIED

ITEM	PART NO.	QTY.	DESCRIPTION
			TITLE
			BOARD SCHEMATIC, CPU INTERCONNECT
ORIGINATOR	DATE	SIZE	DOCUMENT NUMBER
APPROVAL	DATE	SCALE	REV.
			D C21080130 01
3 PLACE 1:010		2 PLACE 2:02	ANGLES 30° 30'
DO NOT SCALE PRINT		SHEET 1 OF 2	UNLESS OTHERWISE SPECIFIED FRACTIONS DECIMALS ANGLES

8 7 6 5 4 3 2 1

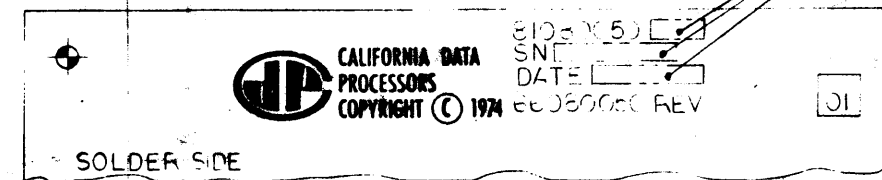
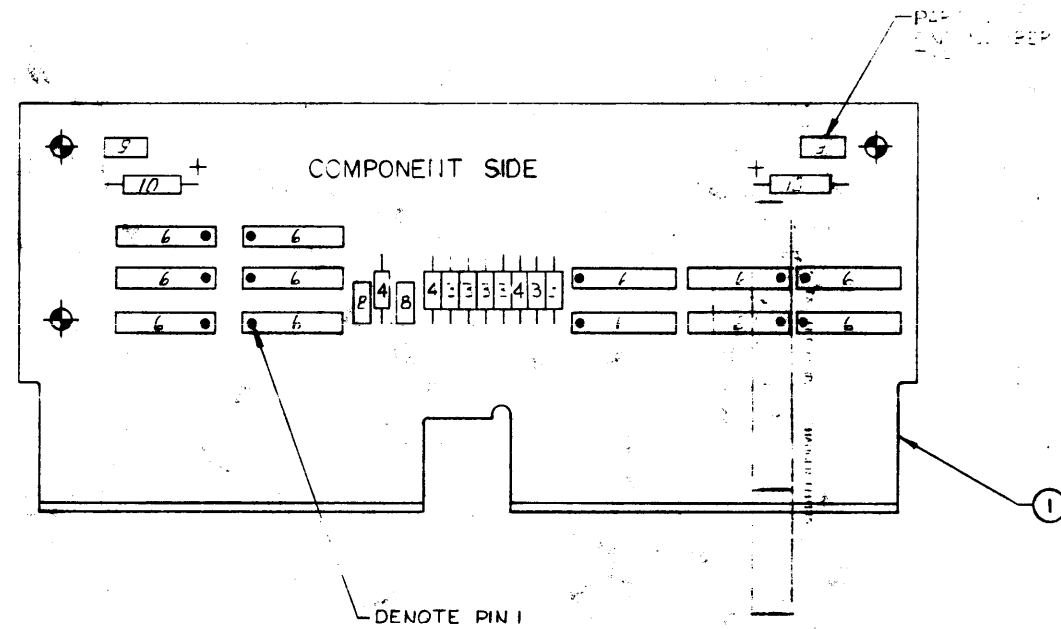
CONNECTOR J2 



ITEM	PART NO.	DESCRIPTION
 california data processors		TITLE
ORIGINATOR		BOARD SCHEMATIC
APPROVAL		CPU INTERCONNECT
DATE		ISSUE NO.
10/1/70		C 21090130
SCALE 1/1		

The information herein is the property of California Data Processors. Transmittal, receipt or possession of the information does not express, convey, or imply any rights to use, sell, or manufacture from this information and no reproduction or publication of it, in whole or in part, shall be made without written authorization from an officer of the above firm.

RELEASE STATUS				REVISIONS			
RELEASE LEVEL	APPROVED	DATE	REV.	ECO	DESCRIPTION	CHK	DATE
EXPERIMENTAL			01	0-	REL PER DIRM DS00052	CK	4-4-74
ENGINEERING							
PRODUCTION							



- △ SERIAL NUMBER TO BE PREFIXED WITH A DIVISION CODE WHICH AGREES WITH PLACE OF MANUFACTURE: DS EQUAL-SANTA ANA, DE EQUAL-EDINA.
- FOR BOARD SCHEMATIC SEE 21080050
- △ MARK ASSEMBLY LATEST REV LETTER TO WHICH IT WAS BUILT, ASSY SERIAL NUMBER, & FOUR DIGIT DATE CODE, AND LOCATED APPROX AS SHOWN.
- Ⓛ MAKE PER DATA 100 SPEC 21100010.

NOTES: UNLESS OTHERWISE SPECIFIED

FOR PARTS LIST SEE SHT 2


		TITLE BOARD ASSEMBLY TERMINATOR	
ORIGINATOR	DATE	SIZE	REV.
APPROVAL	DATE	D	
DOCUMENT NUMBER C 81080050		REV. 01	
DO NOT SCALE PRINT	SHEET OF	DIMENSIONS OTHERWISE SPECIFIED FRACTIONS DECIMALS ANGLES	
SCALE	1 2		

JWB Rev 4/12/74
 2

Board Assembly Terminator

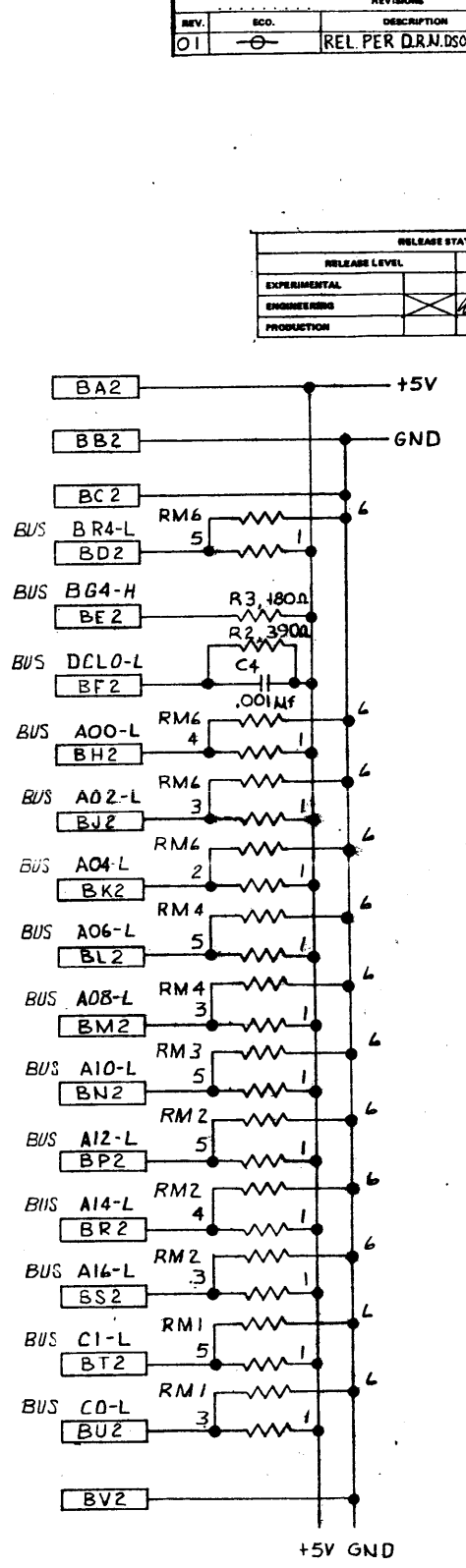
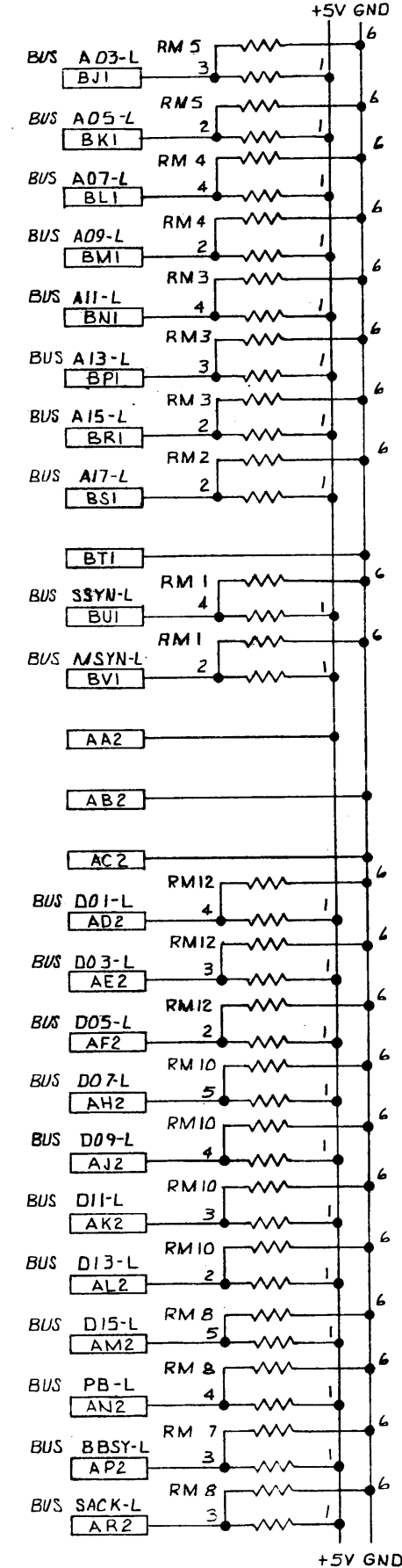
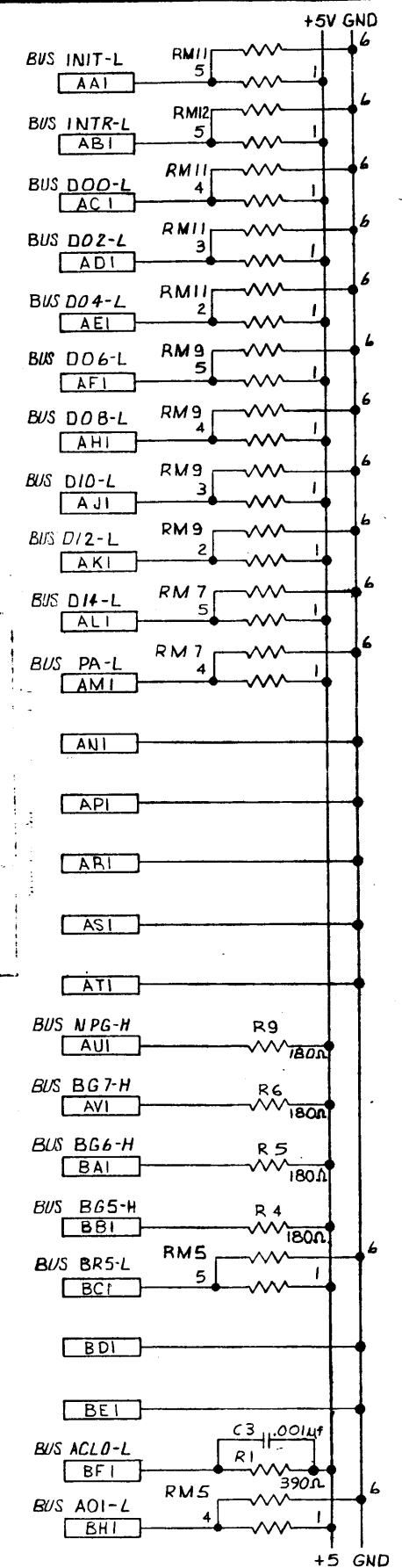
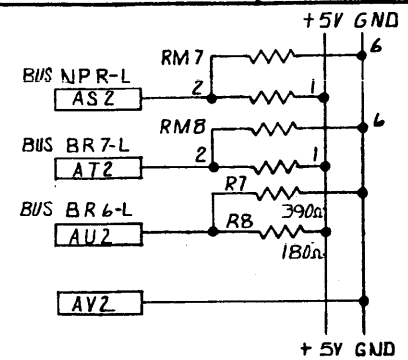
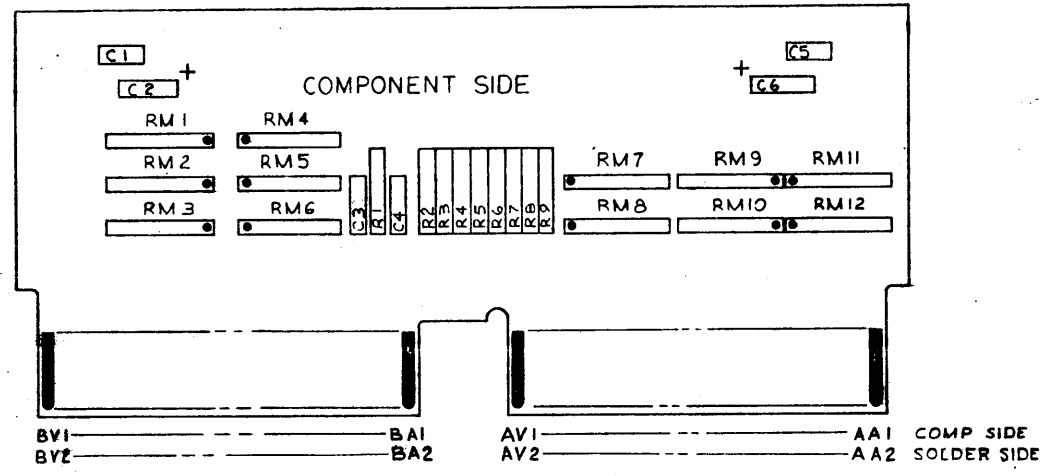
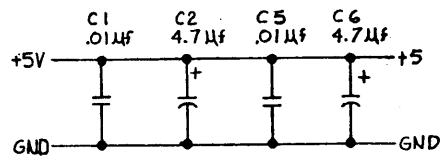
LIST OF MATERIALS

ITEM NO.	QTY. RECD.	REFERENCE DESIGNATION	PART NUMBER	DESCRIPTION	NOTES	VENDOR	VENDOR PART NUMBER
1	1		66080050	PWB TERMINATOR			
2							
3	6	R3, 4, R5, 6, 8, R9	54400267	RESISTOR, 180Ω, 1/4 W, 5%			RC07GF181J
4	3	R1, 2, 7	54400275	RESISTOR, 390Ω, 1/4 W, 5%			RC07GF391J
5							
6	12	RM1-RM12	54811020	RESISTOR MOD. 180Ω/390Ω			
7							
8	2	C3, 4	522133450	CAPACITOR, .001 uf, 100 V			
9	2	C1, 5	52252500	CAPACITOR, .01 uf, 100 V			
10	2	C2, 6	52326001	CAPACITOR, 4.7 uf, 20%, 20 V			

ORIGINATOR	C. Kennedy	4-4-74	 california data processors	TITLE	BOARD ASSEMBLY TERMINATOR
APPROVAL	<i>[Signature]</i>	4-10-74		SIZE	B
	R. Edwards	4-12-74		DOCUMENT NUMBER	81080050
	<i>[Signature]</i>	4-12-74		DS	SHEET 2 OF 2
	<i>[Signature]</i>	4-12-74		PAGE	
	<i>[Signature]</i>	4/12/74			

The information herein is the property of California Data Processors. Transmittal, receipt or possession of the information does not constitute, or imply any rights to use, sell, or manufacture from this information and no reproduction or publication of it, in whole or in part, shall be made without written authorization from an officer of the above firm.

REFERENCE DESIGNATIONS		
COMPONENT	HIGHEST NUMBER	NUMBER NOT USED
CAPACITOR	C6	—
RESISTOR	R9	—
RES. MOD.	RM12	—



REVISIONS					
REV.	ECO.	DESCRIPTION	ORIG.	DATE	APP.
01	—	REL. PER D.R.M. DS00053	C.K.	4-3-74	[Signature]

RELEASE STATUS		
RELEASE LEVEL	APPROVED	DATE
EXPERIMENTAL		
ENGINEERING	[Signature]	4-11-74
PRODUCTION		

california data processors ORIGINATOR C. Kemp 8-3-74 APPROVAL M. [Signature] 4-10-74 [Signature] 4-11-74 [Signature] 4-11-74 [Signature] 4-11-74	TITLE BOARD SCHEMATIC TERMINATOR	DOCUMENT NUMBER C 21080050	REV. 01
	DO NOT SCALE PRINT SCALE NONE	SHEET 11	UNLESS OTHERWISE SPECIFIED FRACTIONS DECIMALS ANGLES

2. ALL RESISTORS ARE 1/4W, 5%.
 1. FOR BOARD ASSEMBLY SEE 81080050.
 UNLESS OTHERWISE SPECIFIED: