



AIR TRAINING COMMAND

Computer Systems Department

CIRCUITS & DIAGRAMS

OPERATOR TASK ANALYSIS

NOVEMBER 1969

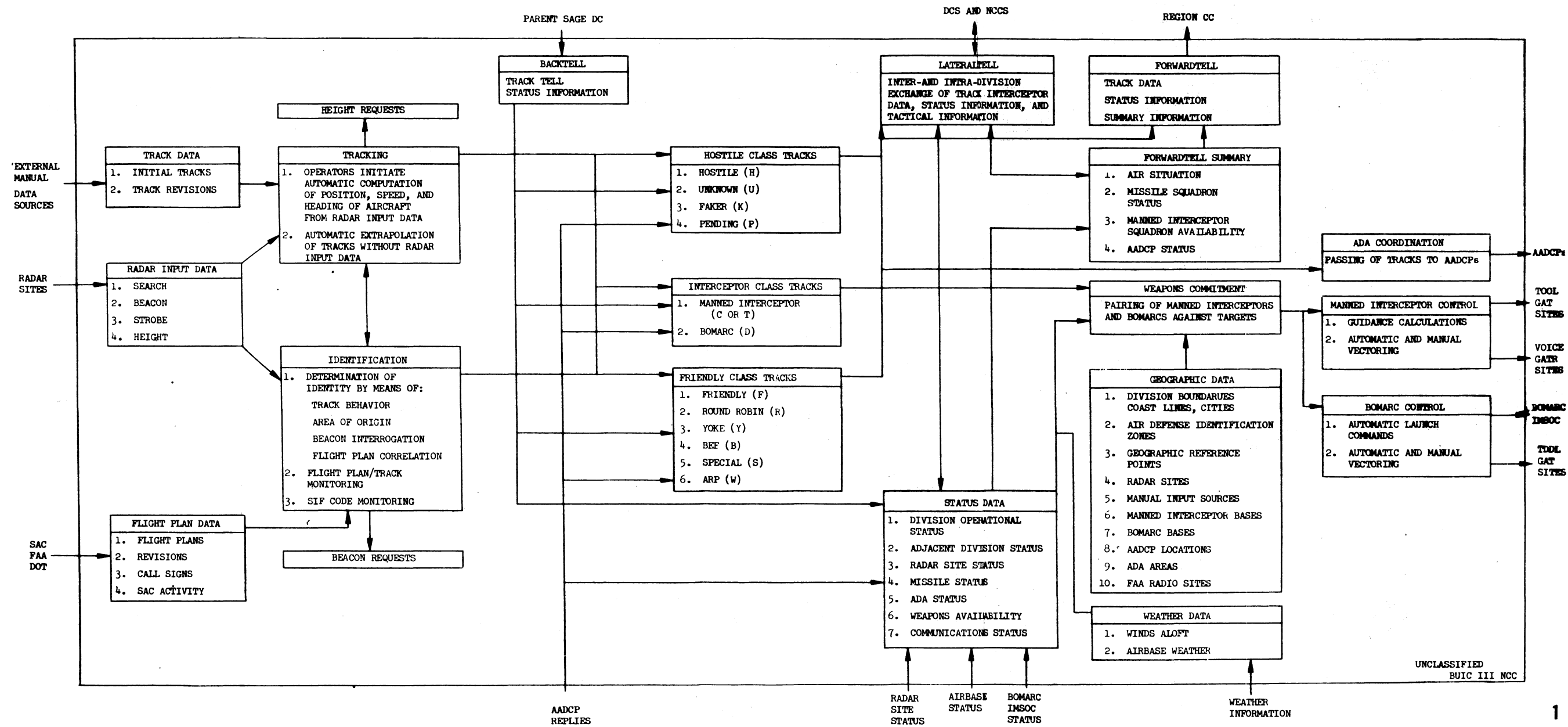
3OZR0124-4
C194-BUIC-CD

KEESLER AFB, MISS

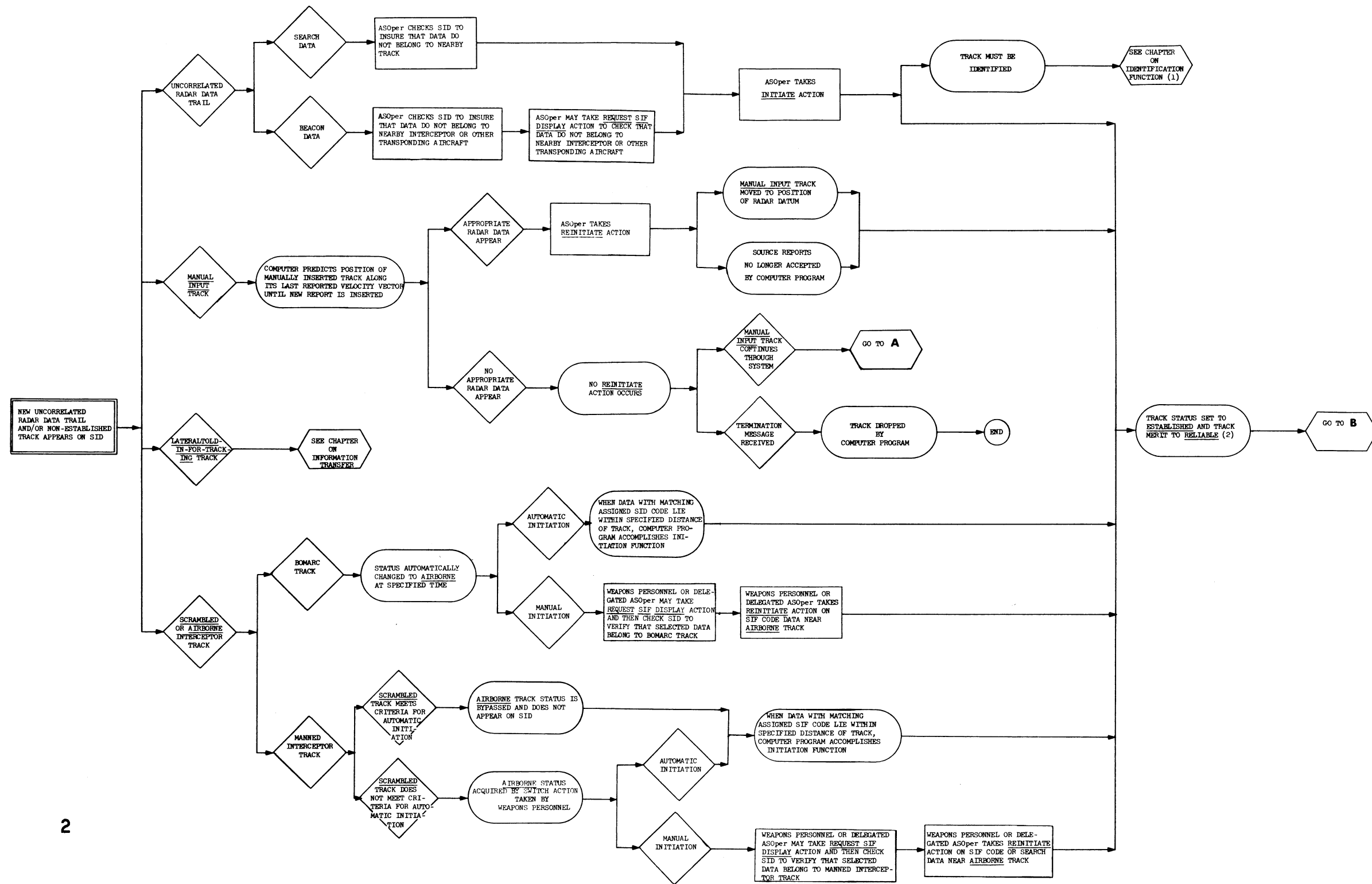
FOR ATC INSTRUCTIONAL PURPOSES ONLY

TABLE OF CONTENTS

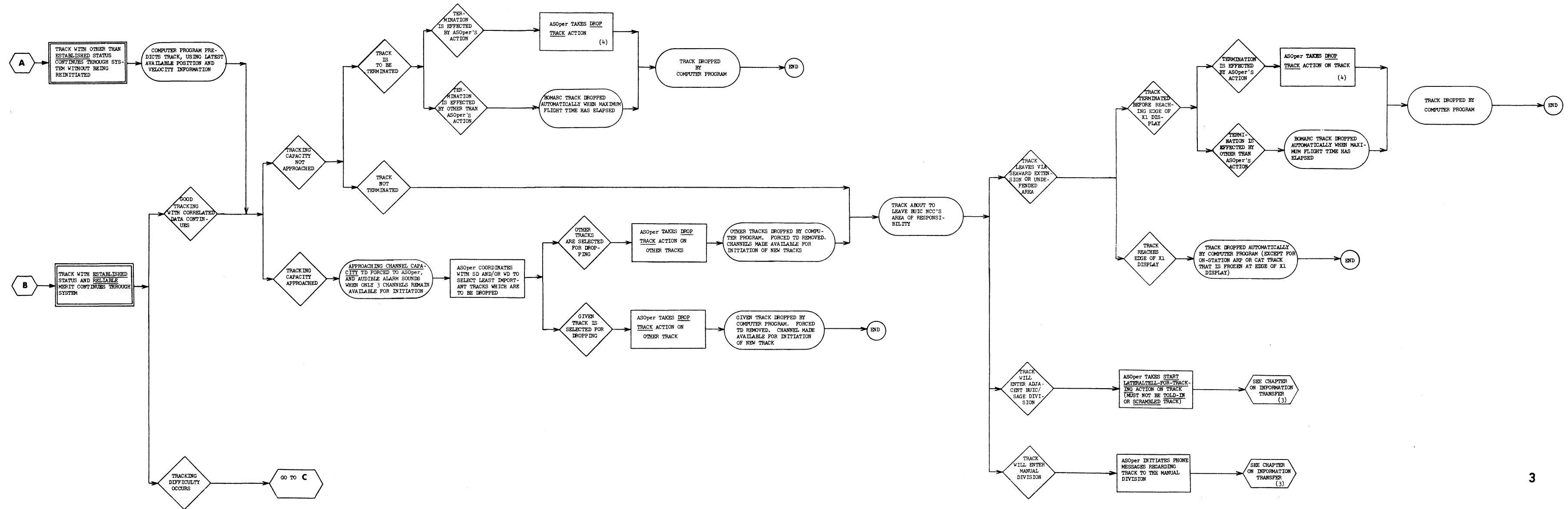
| | <u>T.O. REFERENCE</u> | <u>PAGE #</u> |
|--|-----------------------|---------------|
| 1. BUIC III NCC | (19) | 1 |
| 2. BUIC III Active Tracking Function | (79) | 2 |
| | (81) | 3 |
| | (82) | 4 |
| 3. BUIC III Height Function | (107) | 5 |
| | (109) | 6 |
| 4. BUIC III Information Transfer Function - Monitor Mode | (125) | 7 |
| | (127) | 8 |
| 5. BUIC III Information Transfer Function Transition Mode | (129) | 9 |
| 6. BUIC III Information Transfer Function Active Mode - Lateraltell | (131) | 10 |
| | (133) | 11 |
| | (135) | 12 |
| | (137) | 13 |
| | (139) | 14 |
| 7. BUIC III Information Transfer Function Active Mode Forwardtell | (141) | 15 |
| | (143) | 16 |
| 8. BUIC III Weapons Function | (197) | 17 |
| | (199) | 18 |
| | (201) | 19 |
| | (203) | 20 |
| | (205) | 21 |
| | (207) | 22 |
| 9. BUIC III Positive Target Control Function | (209) | 23 |
| 10. BUIC III Real-Time Simulation Function | (221) | 24 |
| | (223) | 25 |
| | (225) | 26 |
| | (227) | 27 |
| | (229) | 28 |
| | (231) | 29 |
| | (233) | 30 |



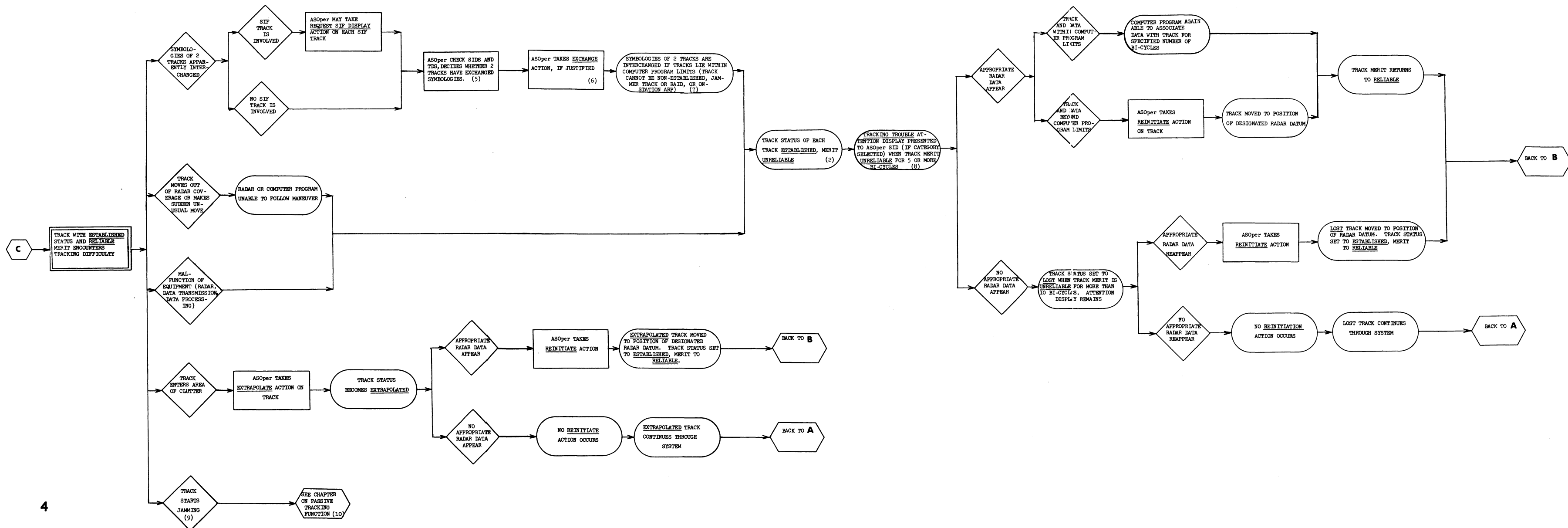
BUIC III ACTIVE TRACKING FUNCTION



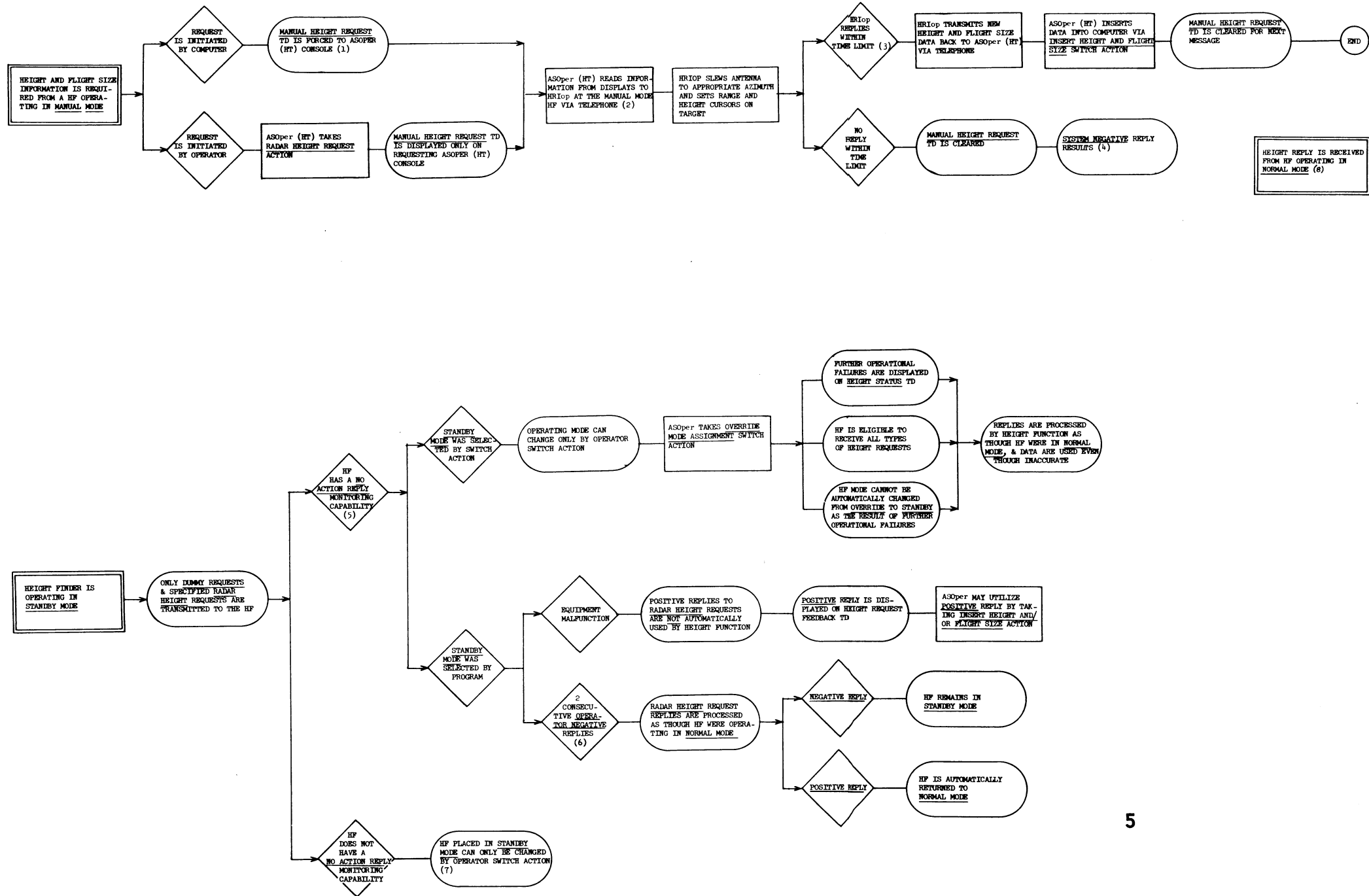
BUIC III ACTIVE TRACKING FUNCTION



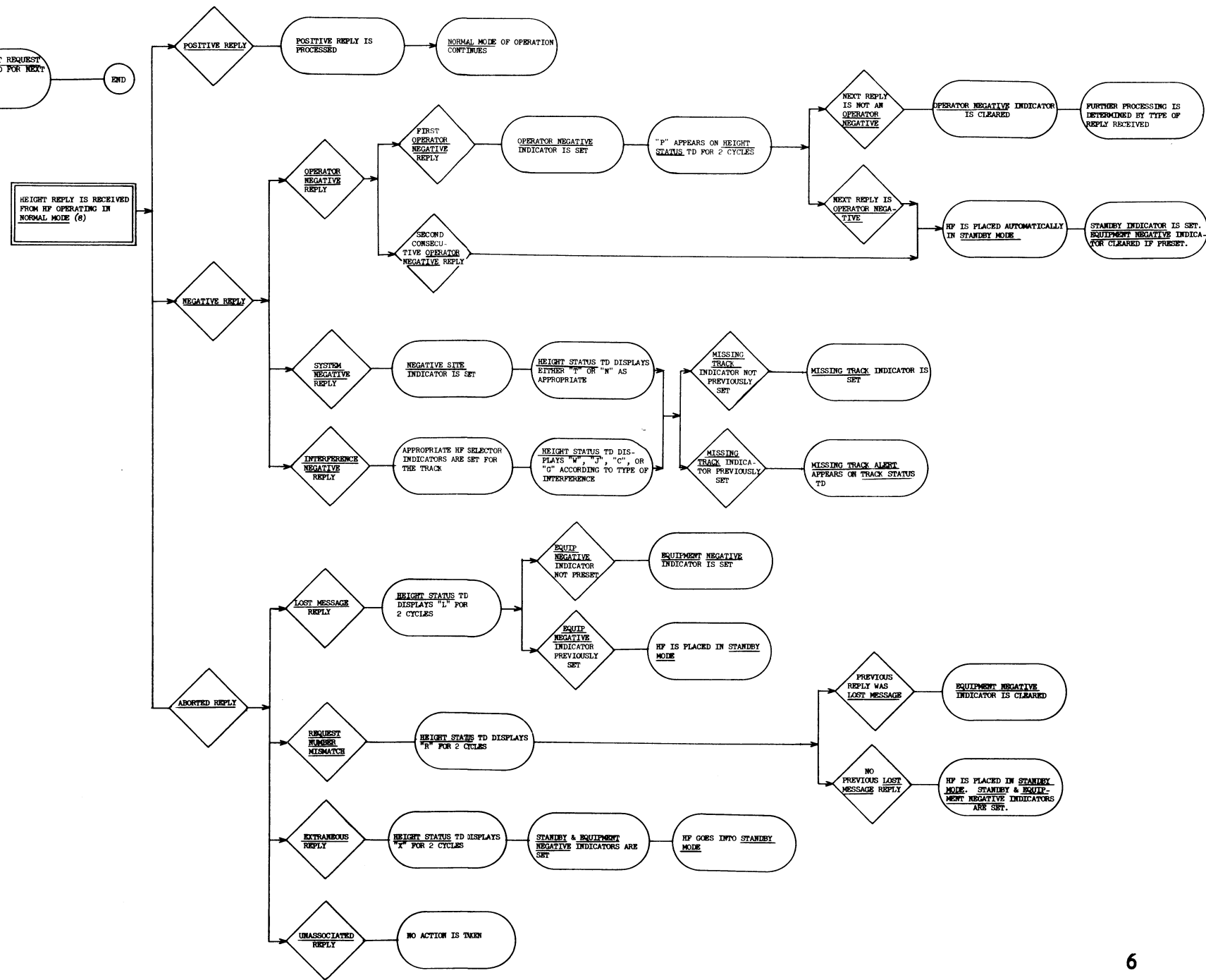
BUIC III ACTIVE TRACKING FUNCTION



BUIC III HEIGHT FUNCTION

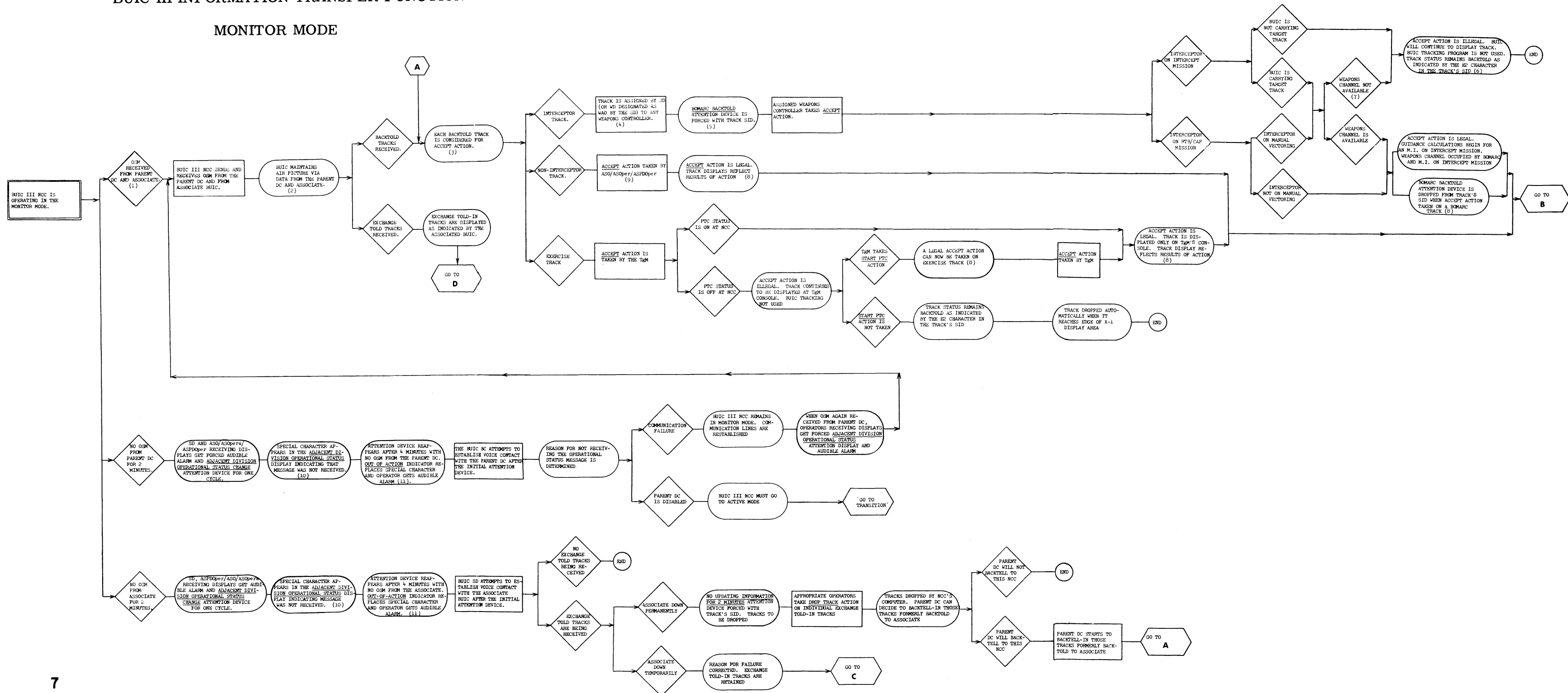


BUIC III HEIGHT FUNCTION



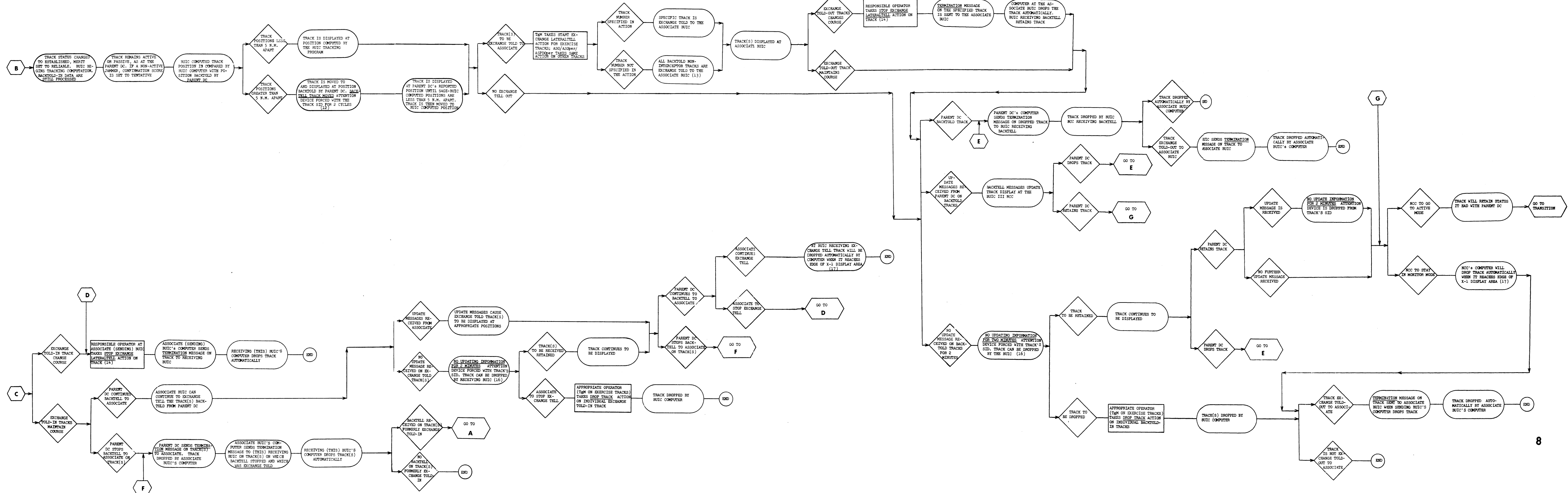
BUIC III INFORMATION TRANSFER FUNCTION

MONITOR MODE



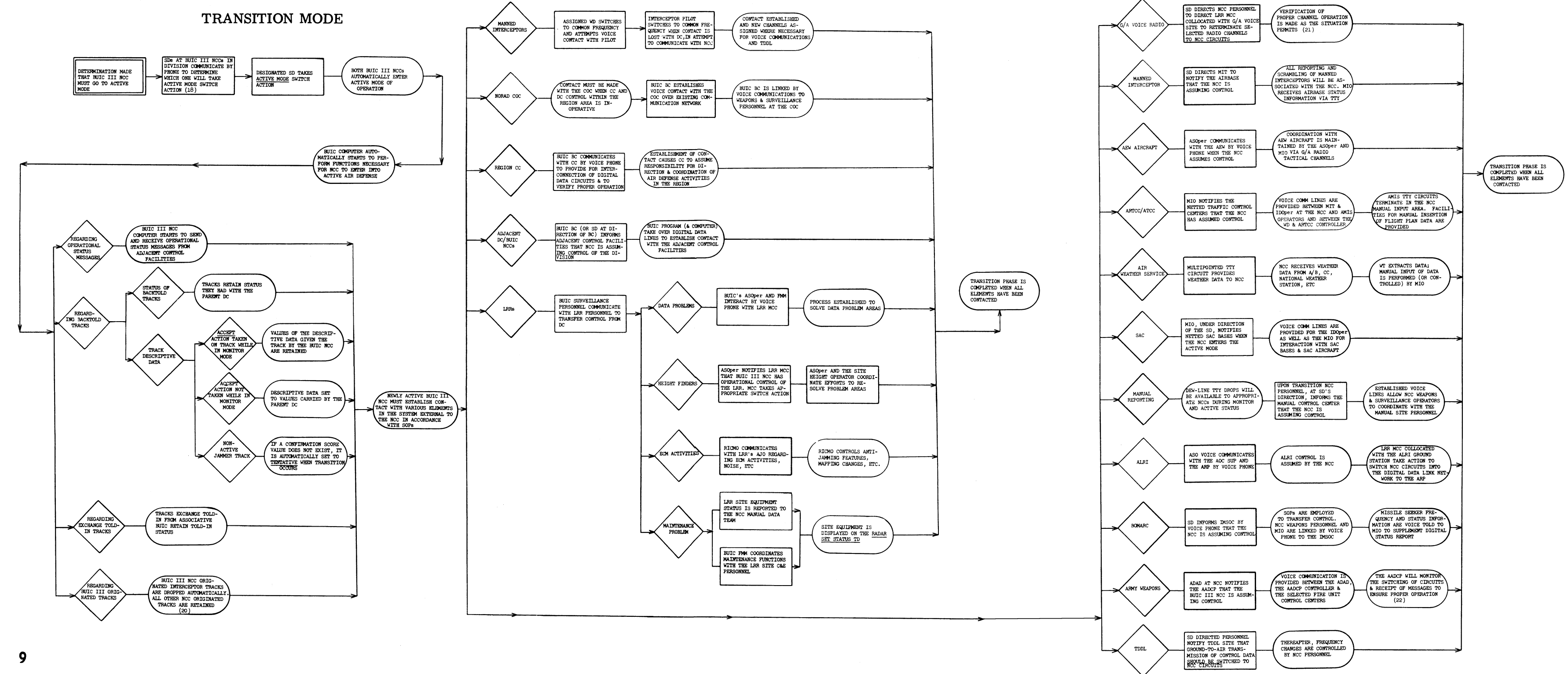
BUIC III INFORMATION TRANSFER FUNCTION

MONITOR MODE



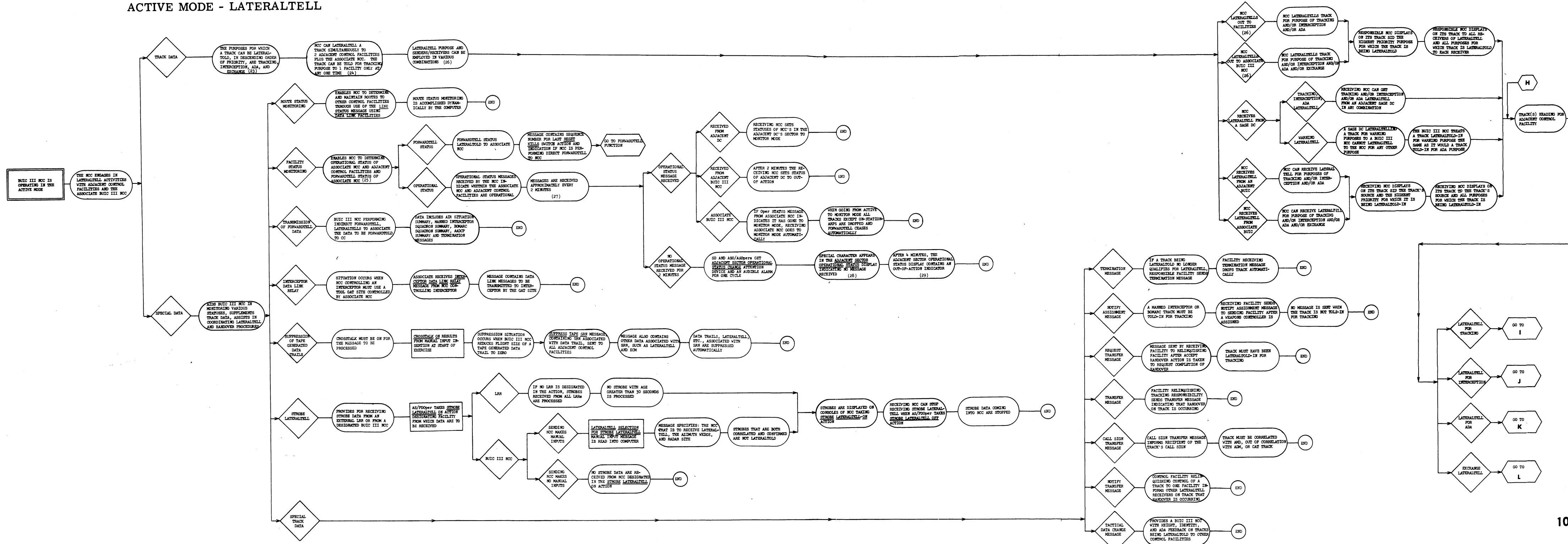
BUIC III INFORMATION TRANSFER FUNCTION

TRANSITION MODE



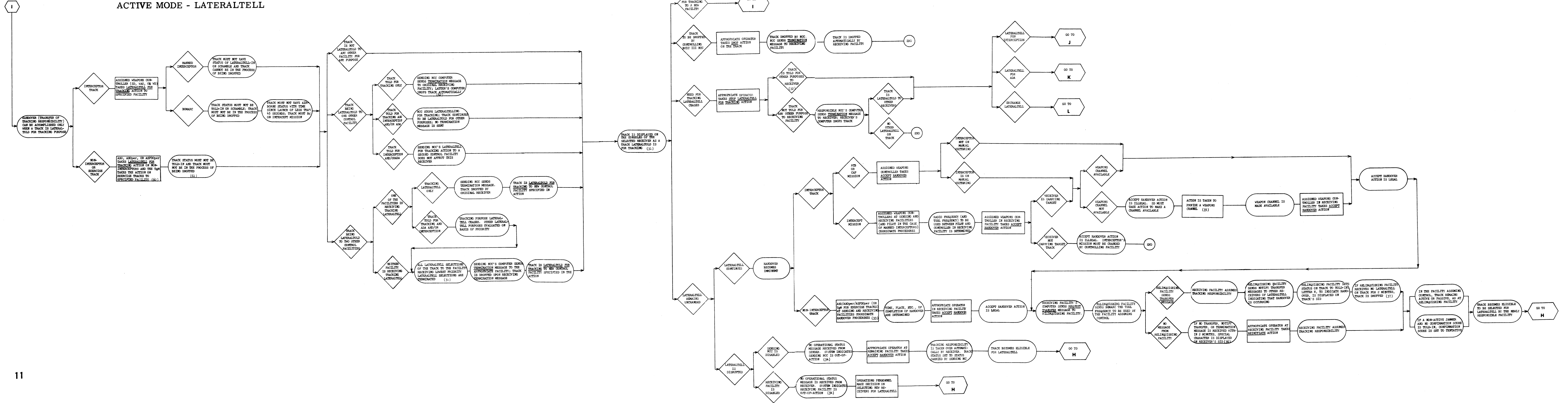
BUIC III INFORMATION TRANSFER FUNCTION

ACTIVE MODE - LATERALTELL



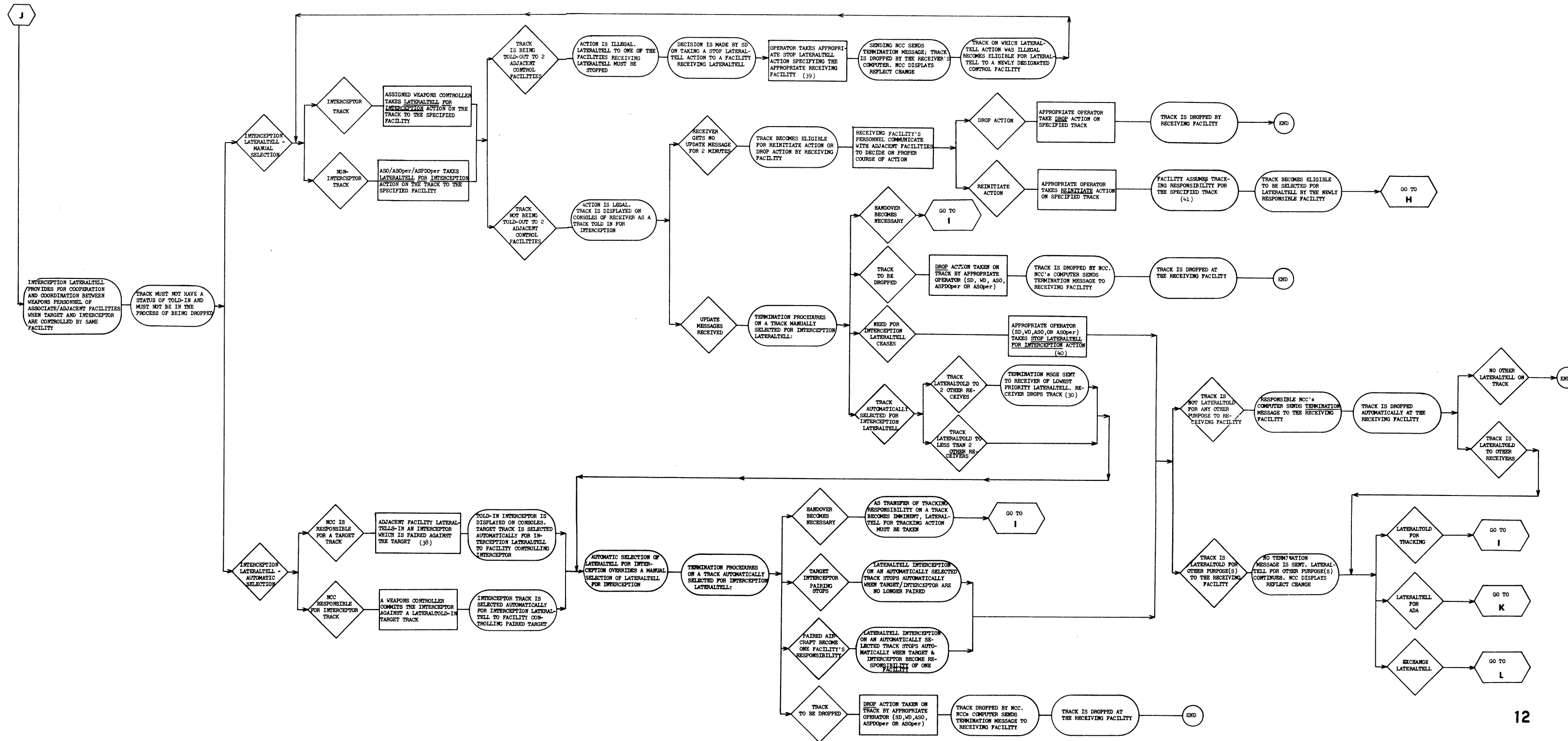
BUIC III INFORMATION TRANSFER FUNCTION

ACTIVE MODE - LATERALTELL



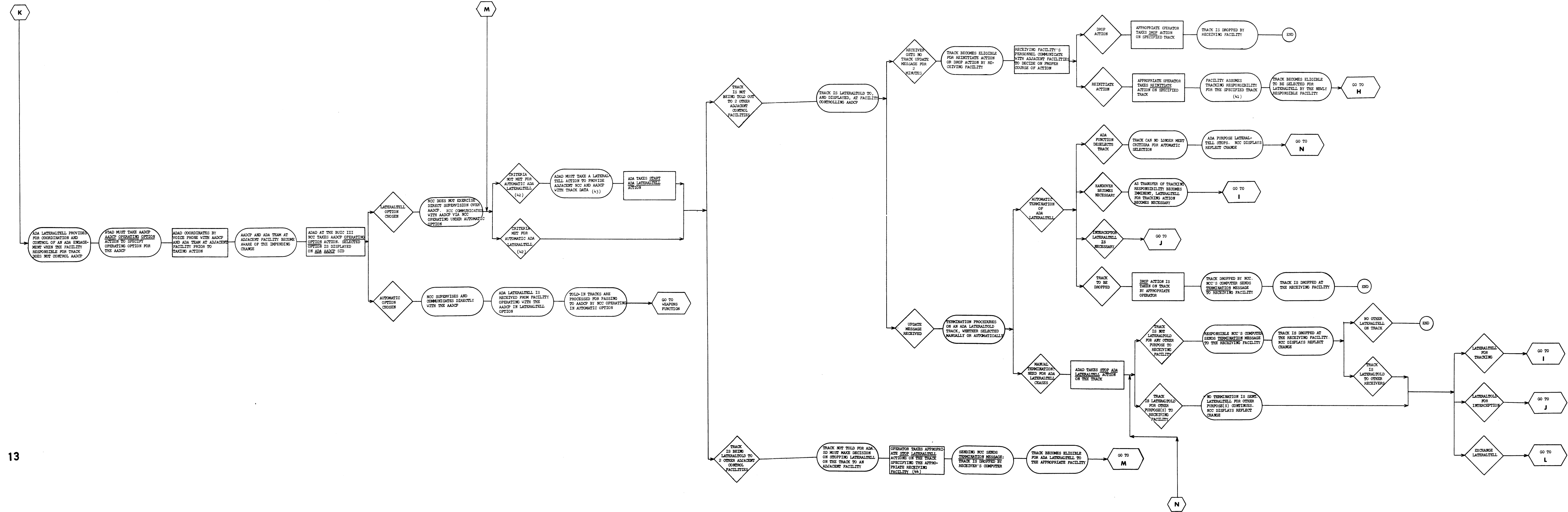
BUIC III INFORMATION TRANSFER FUNCTION

ACTIVE MODE - LATERALTELL



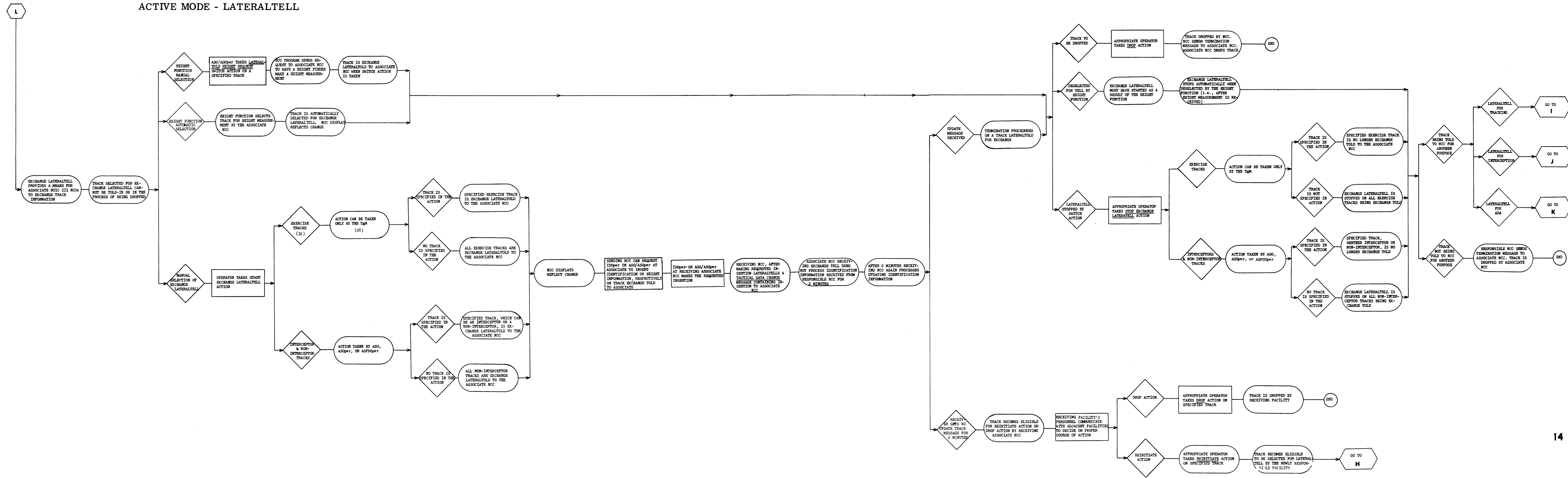
BUIC III INFORMATION TRANSFER FUNCTION

ACTIVE MODE - LATERALTELL



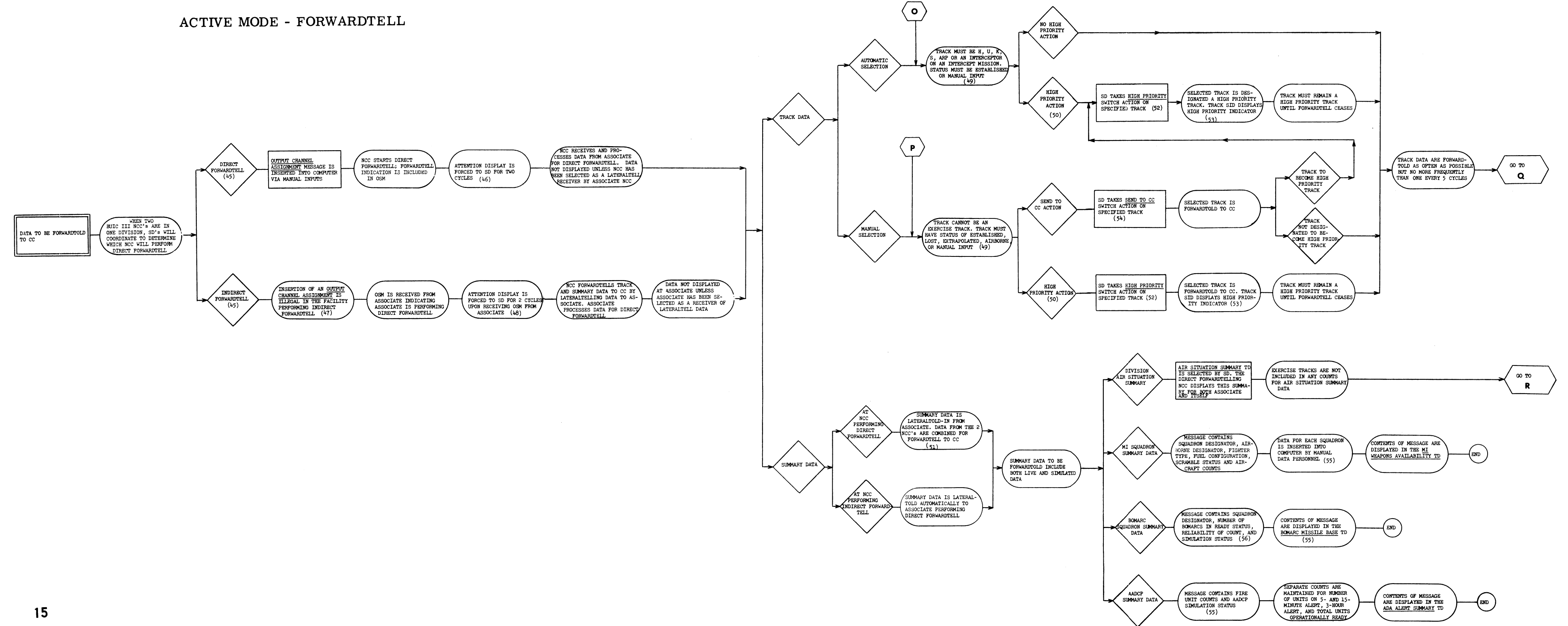
BUIC III INFORMATION TRANSFER FUNCTION

ACTIVE MODE - LATERALTELL



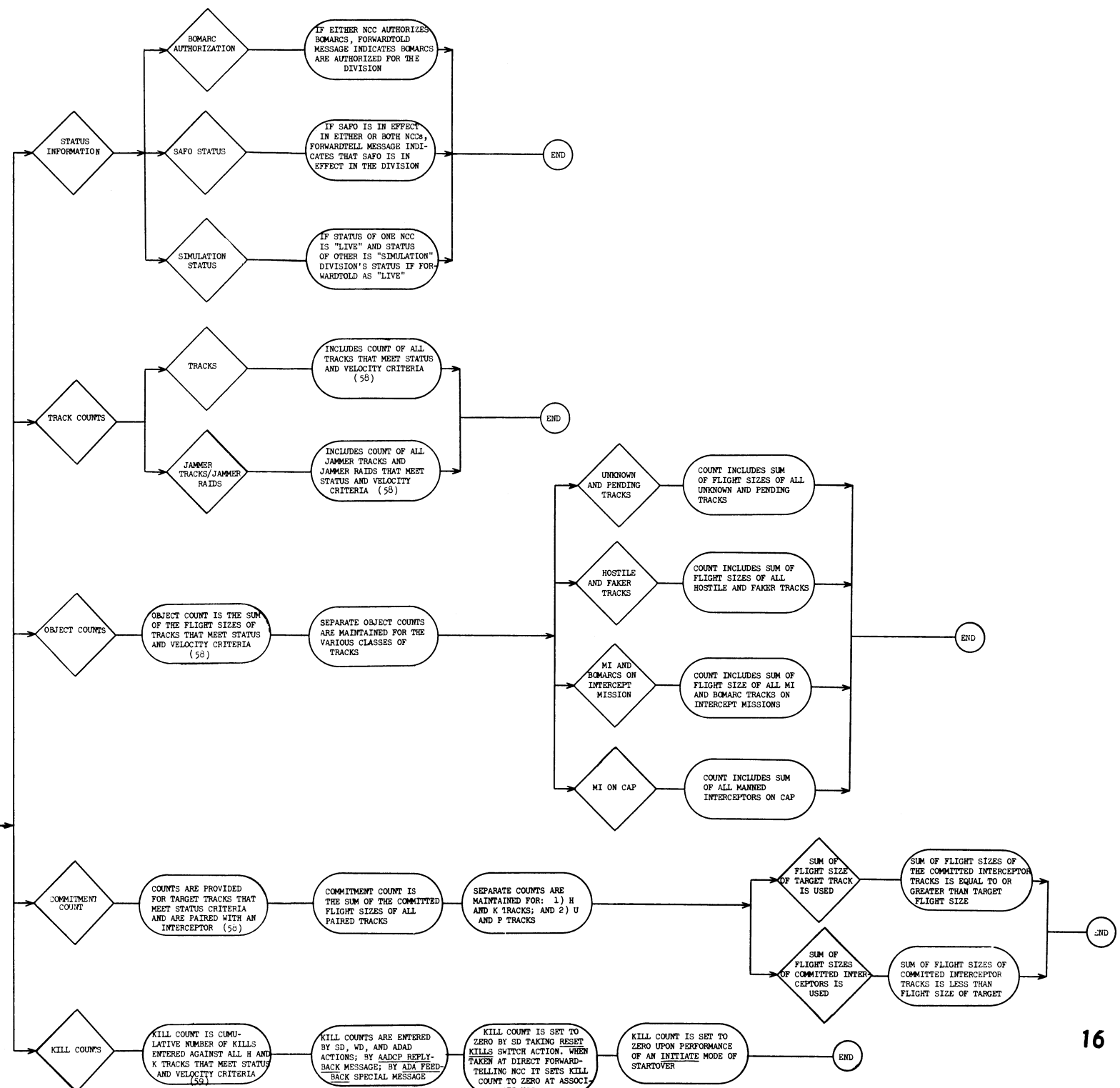
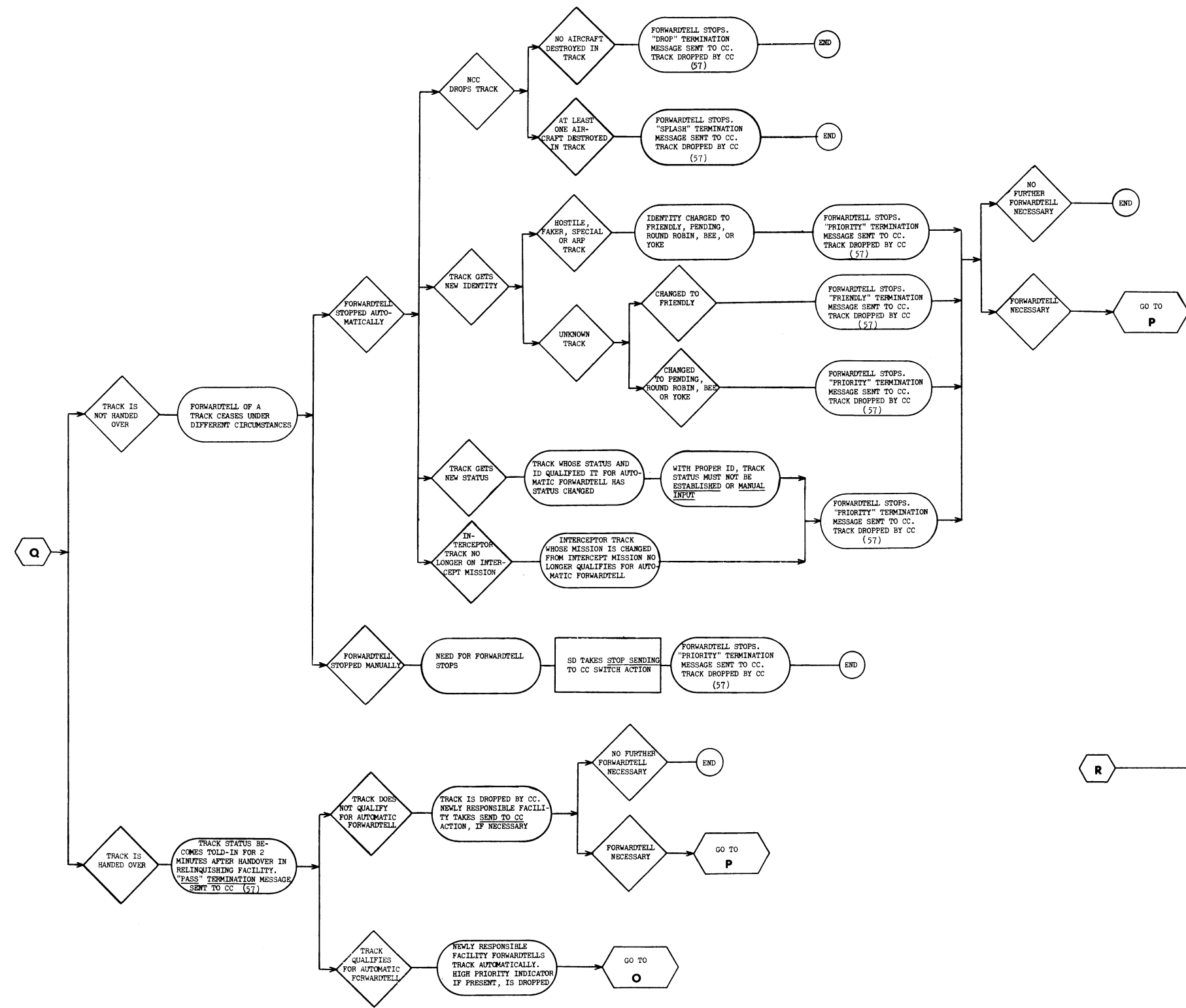
BUIC III INFORMATION TRANSFER FUNCTION

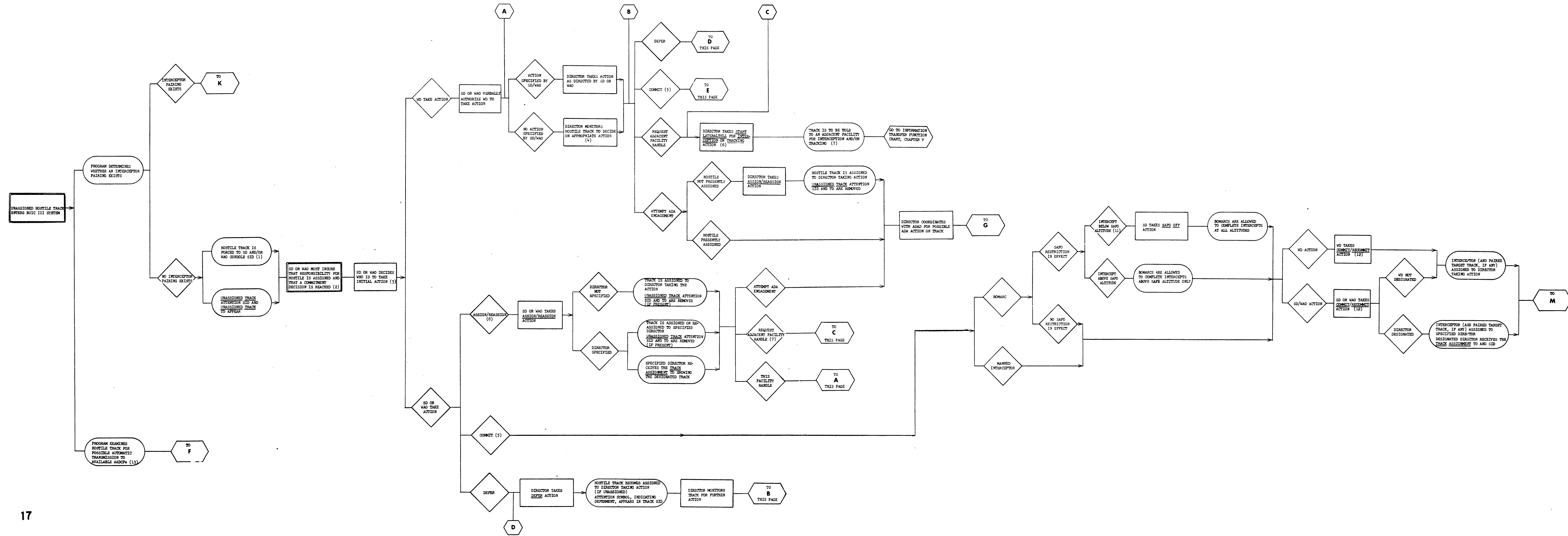
ACTIVE MODE - FORWARDTELL



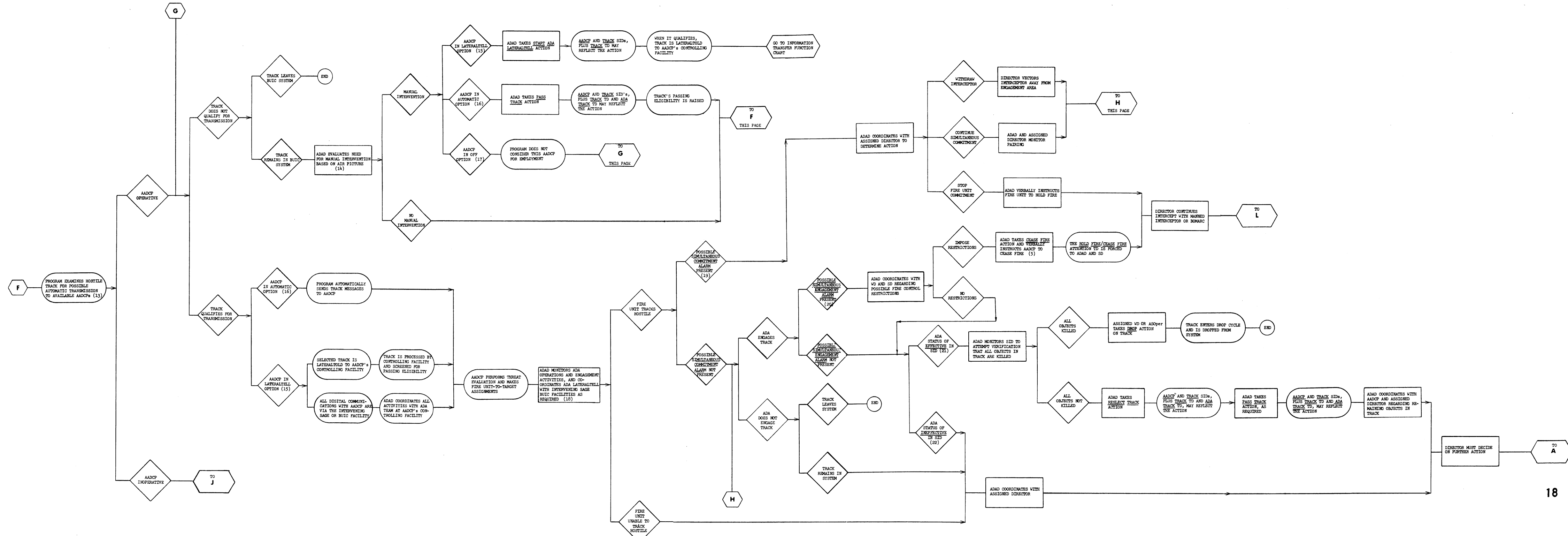
BUIC III INFORMATION TRANSFER FUNCTION

ACTIVE MODE - FORWARDTELL

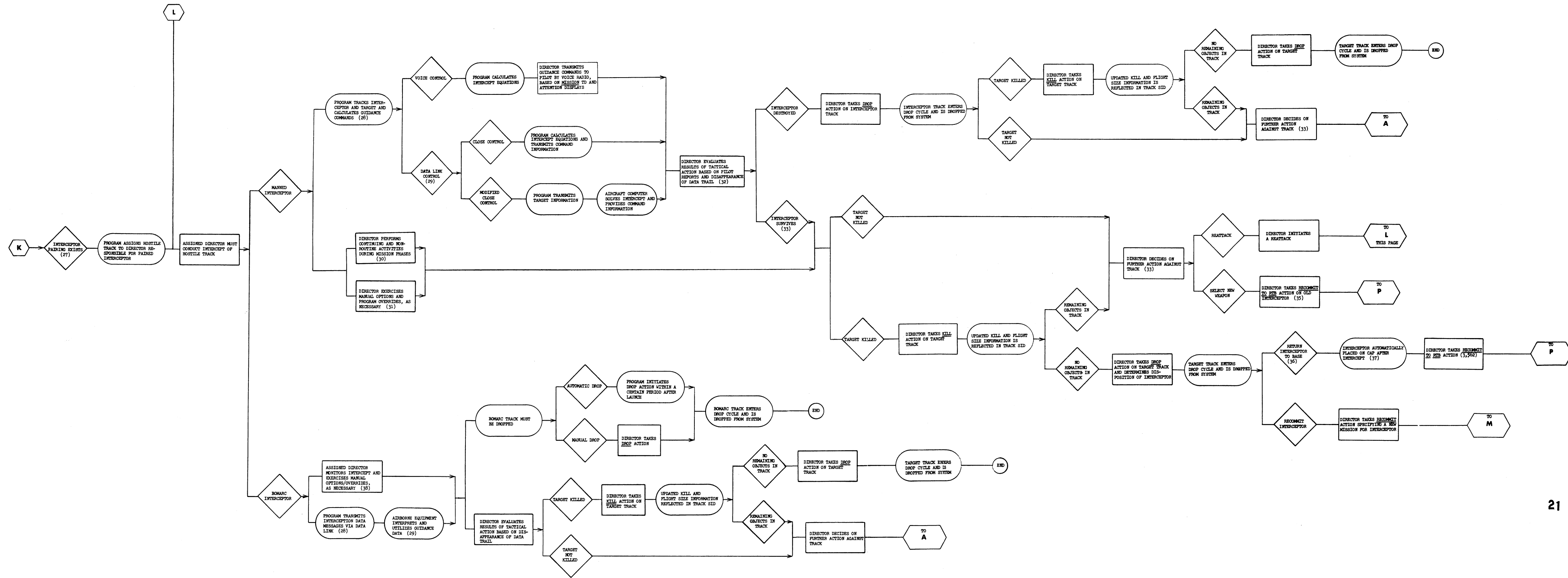




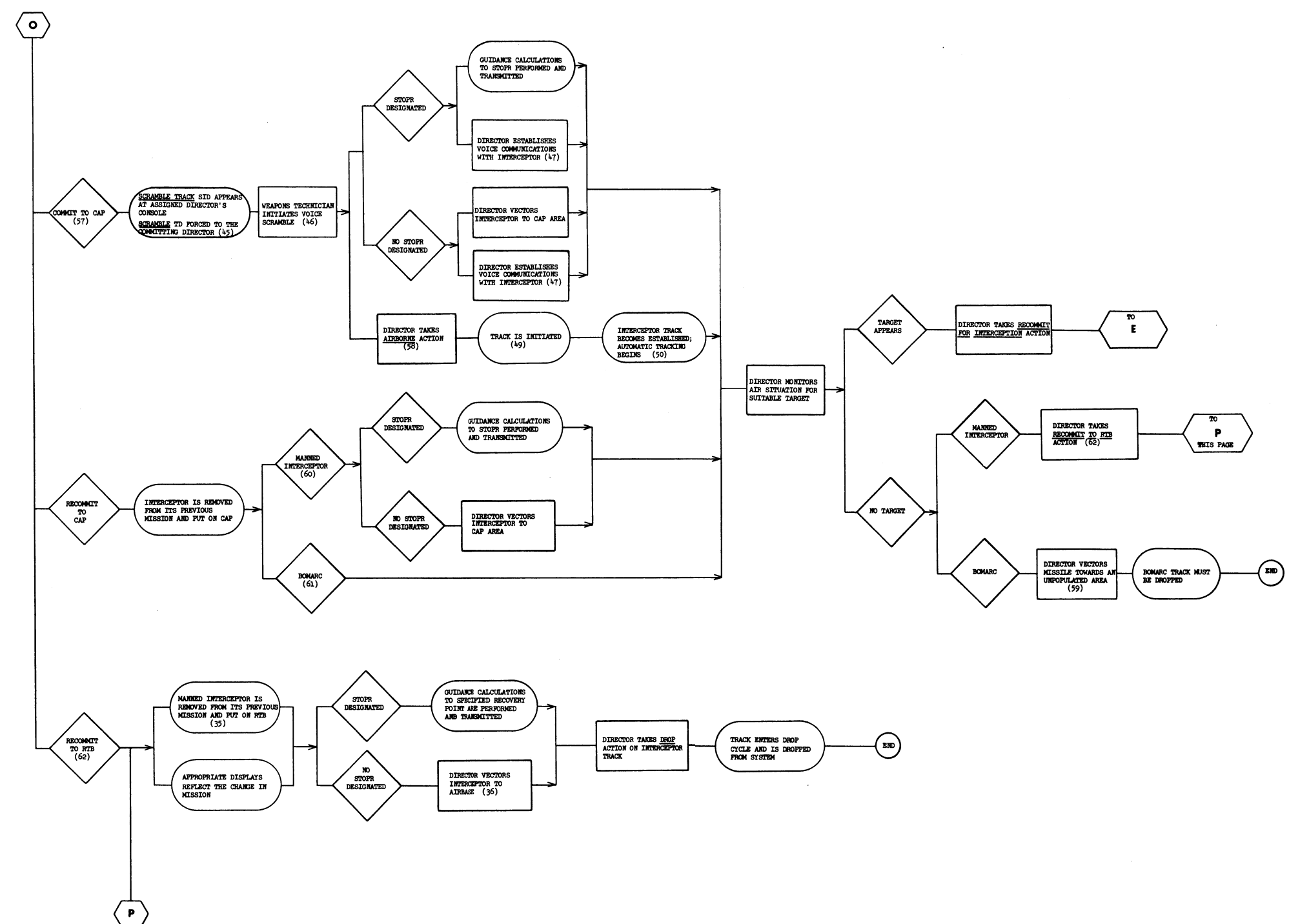
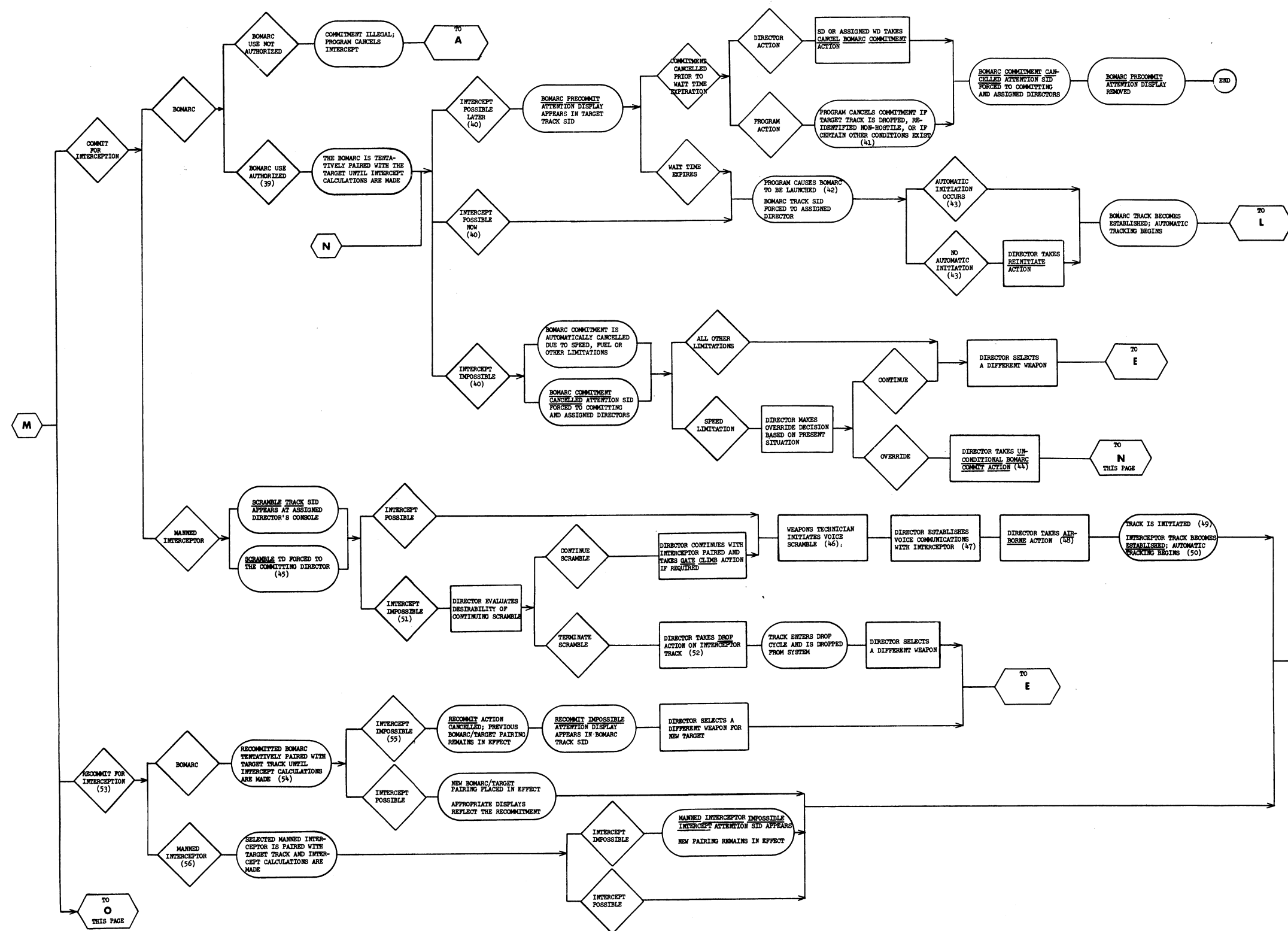
BUIC III WEAPONS FUNCTION



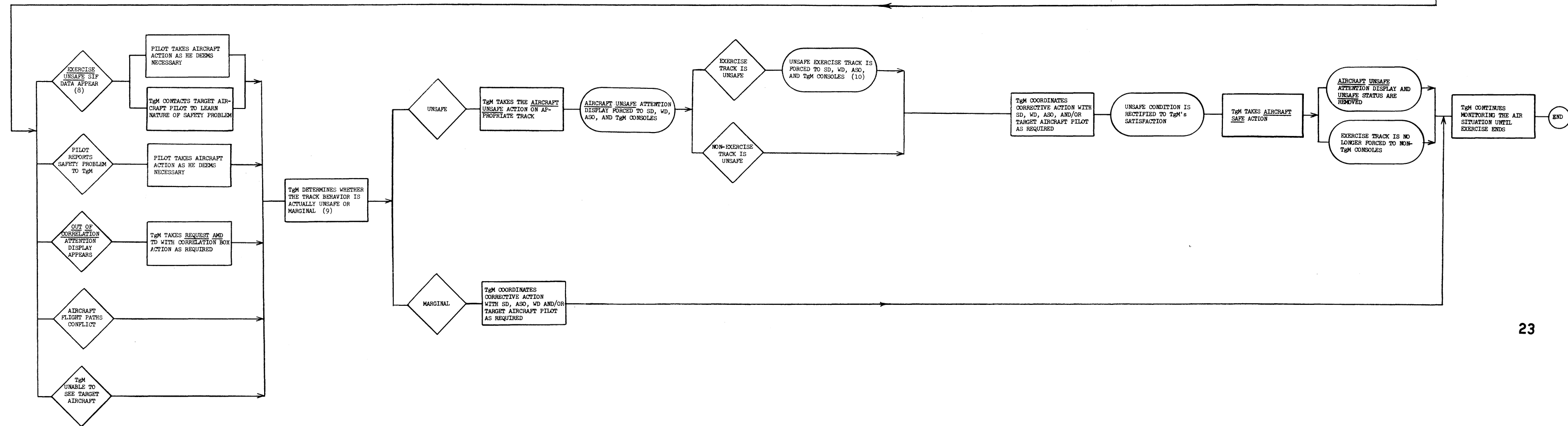
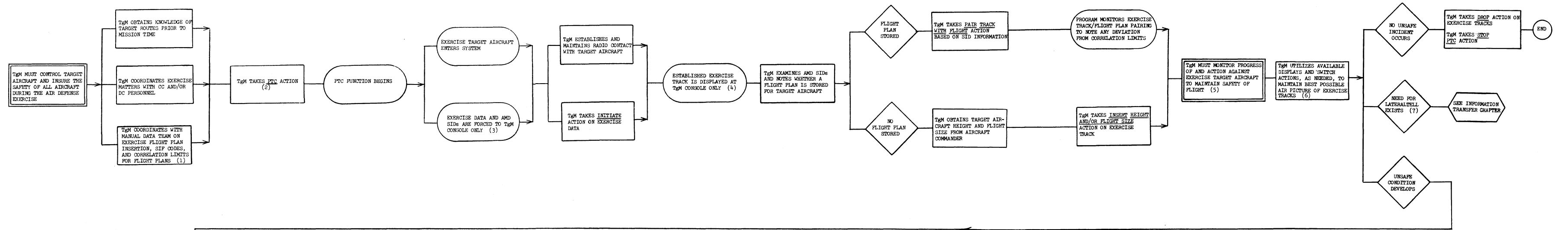
BUIC III WEAPONS FUNCTION



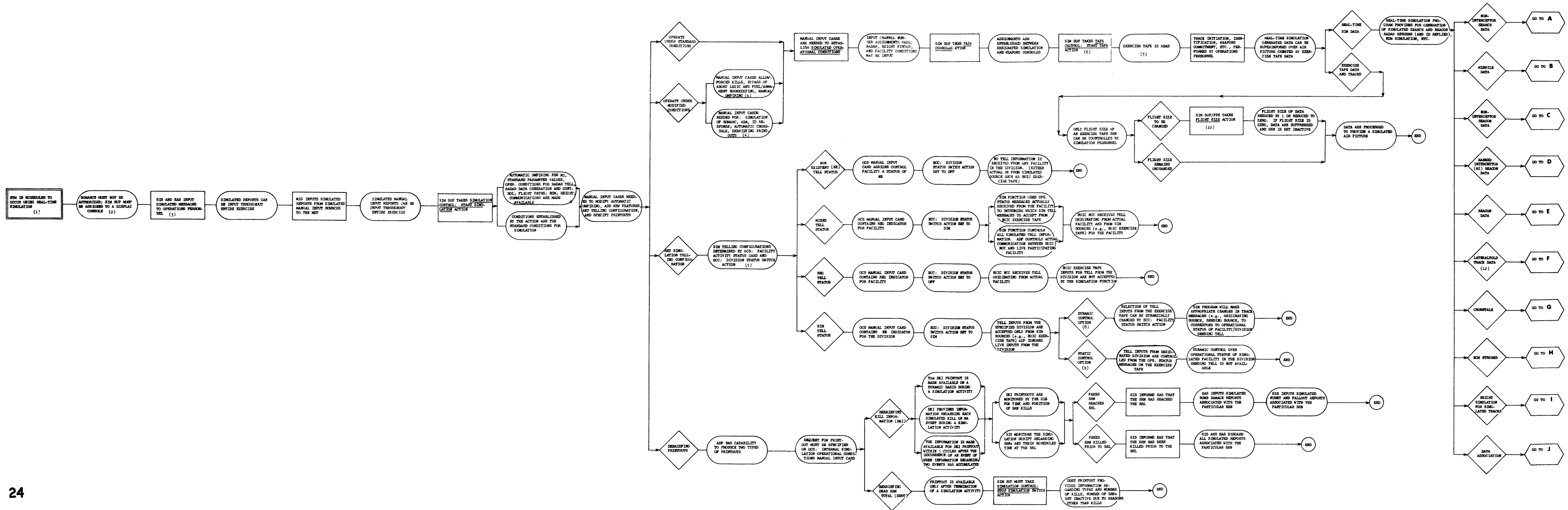
BUIC III WEAPONS FUNCTION



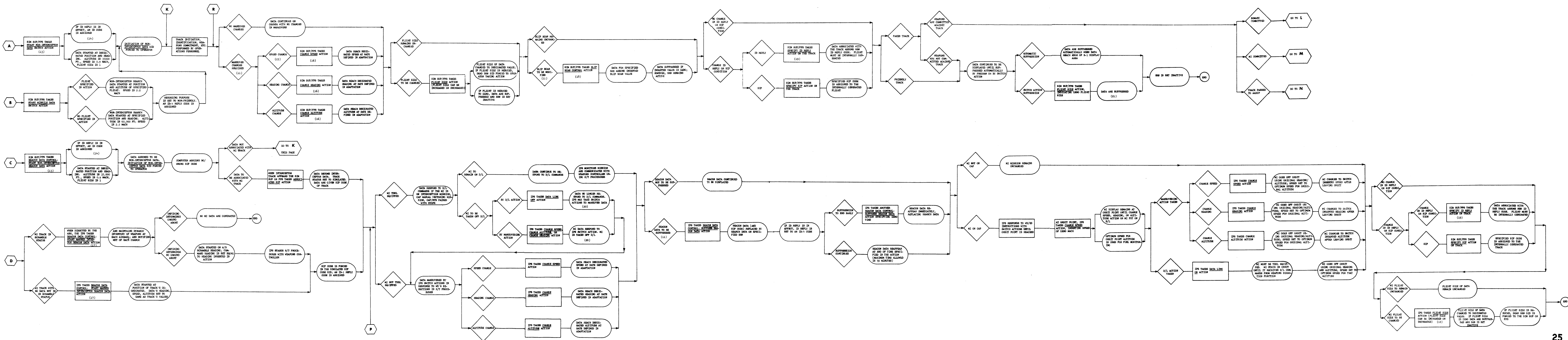
BUIC III POSITIVE TARGET CONTROL FUNCTION



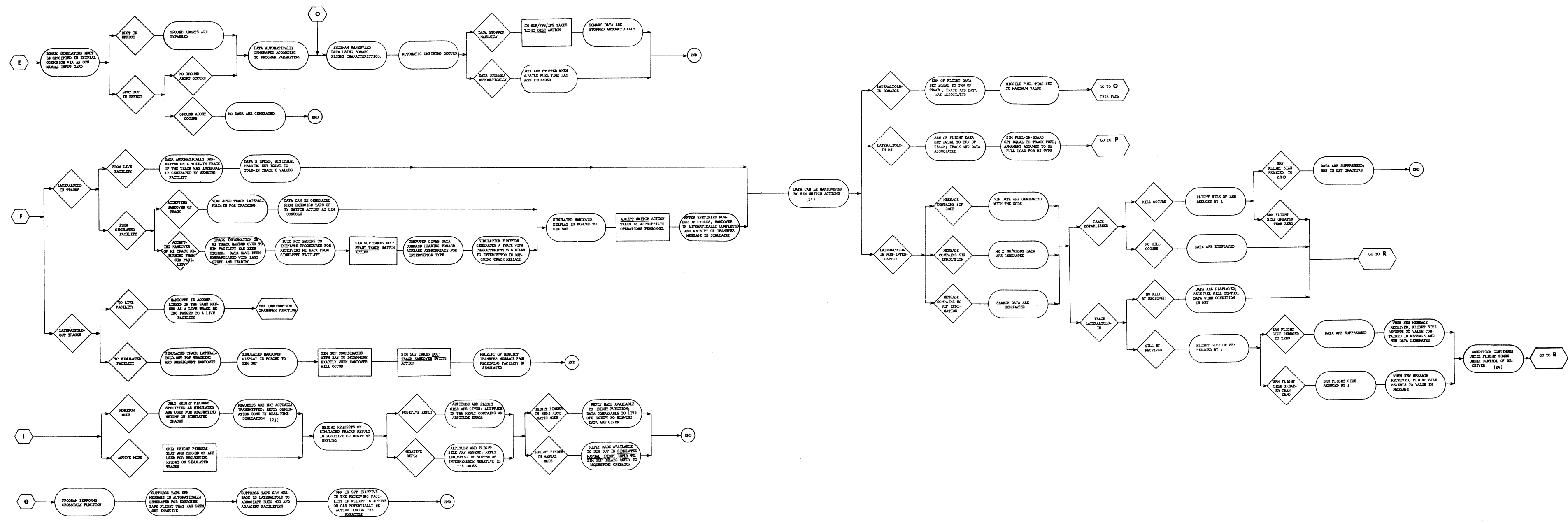
BUIC III REAL-TIME SIMULATION FUNCTION



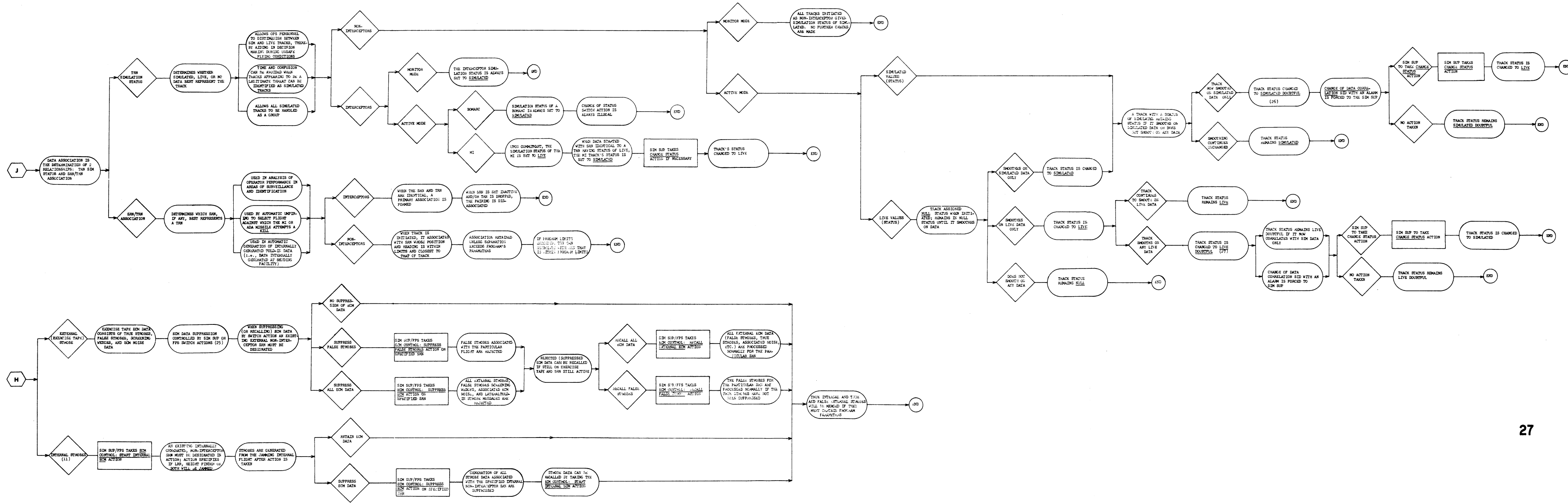
BUIC III REAL-TIME SIMULATION FUNCTION



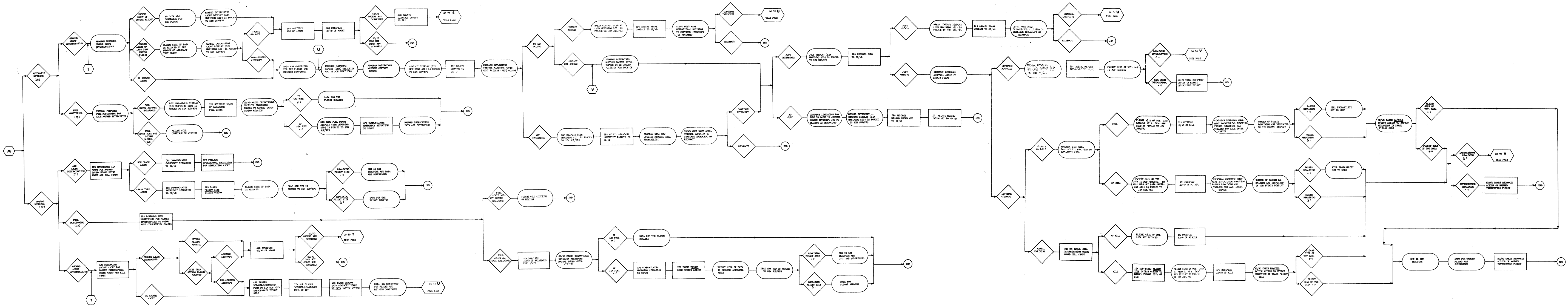
BUIC III REAL-TIME SIMULATION FUNCTION



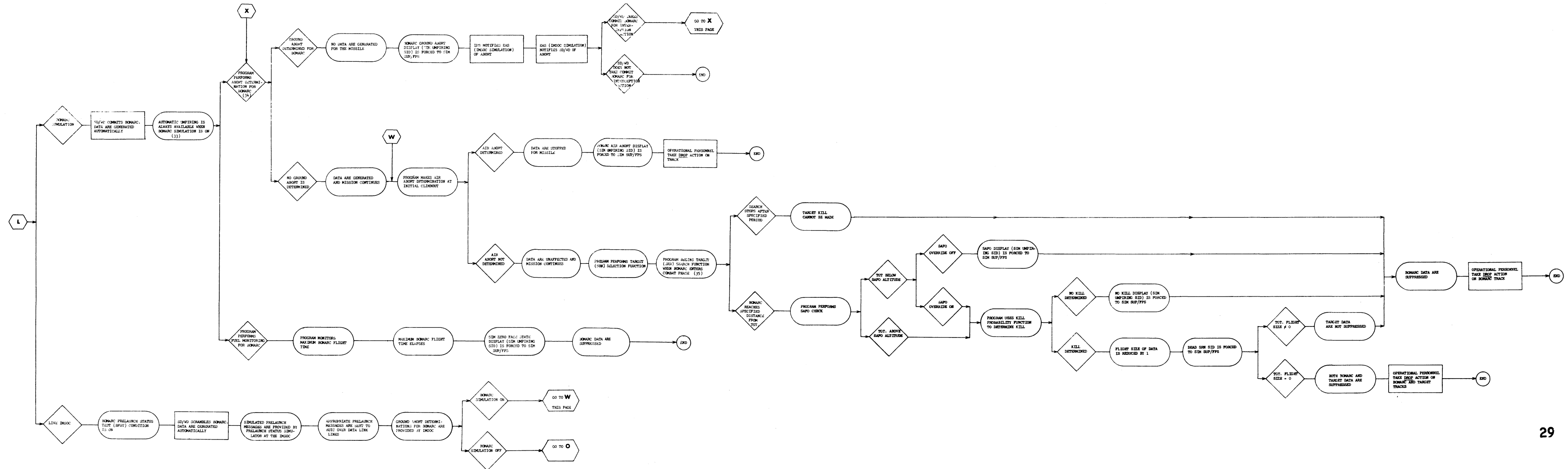
BUIC III REAL-TIME SIMULATION FUNCTION



BUIC III REAL-TIME SIMULATION FUNCTION



BUIC III REAL-TIME SIMULATION FUNCTION



BUIC III REAL-TIME SIMULATION FUNCTION

