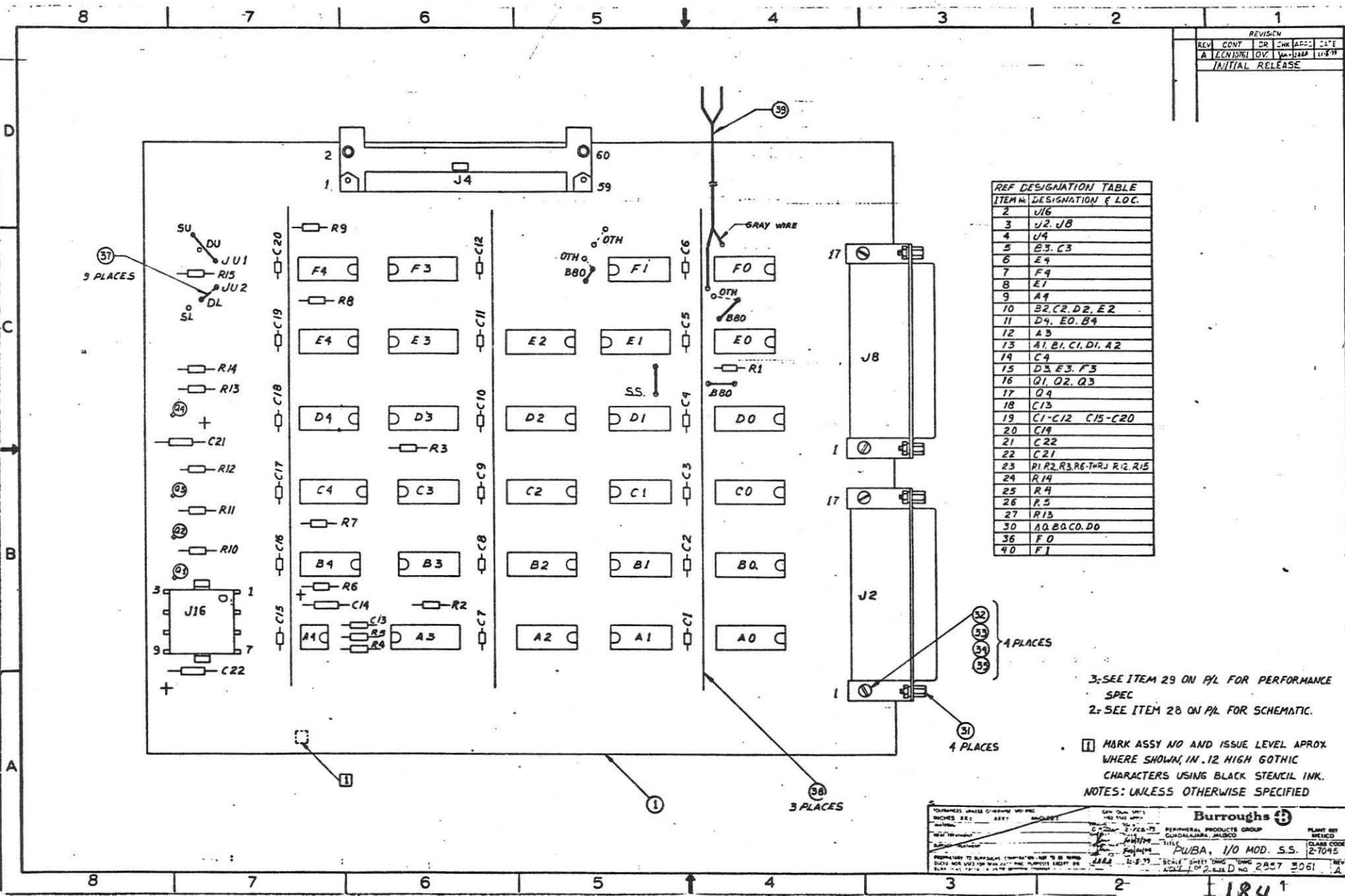


REVISION					
REV	CONT	DR	CHK	APP	DATE
A	ECN10761	OV	W	JAMP	11-87
INITIAL RELEASE					



ITEM NO.	DESIGNATION & LOC.
2	V16
3	J2, J8
4	J4
5	B3, C3
6	E4
7	F4
8	E1
9	A4
10	B2, C2, D2, E2
11	D4, E0, B4
12	A3
13	A1, E1, C1, D1, A2
14	C4
15	D3, E3, F3
16	Q1, Q2, Q3
17	Q4
18	C13
19	C1-C12, C15-C20
20	C14
21	C22
22	C21
23	R1, R2, R3, R6, TRJ, R12, R15
24	R14
25	R4
26	R5
27	R13
30	A0, B0, C0, D0
36	F0
40	F1

3-SEE ITEM 29 ON P/L FOR PERFORMANCE SPEC
 2-SEE ITEM 28 ON P/L FOR SCHEMATIC.

□ MARK ASSY NO AND ISSUE LEVEL APPROX WHERE SHOWN, IN .12 HIGH GOTHIC CHARACTERS USING BLACK STENCIL INK.

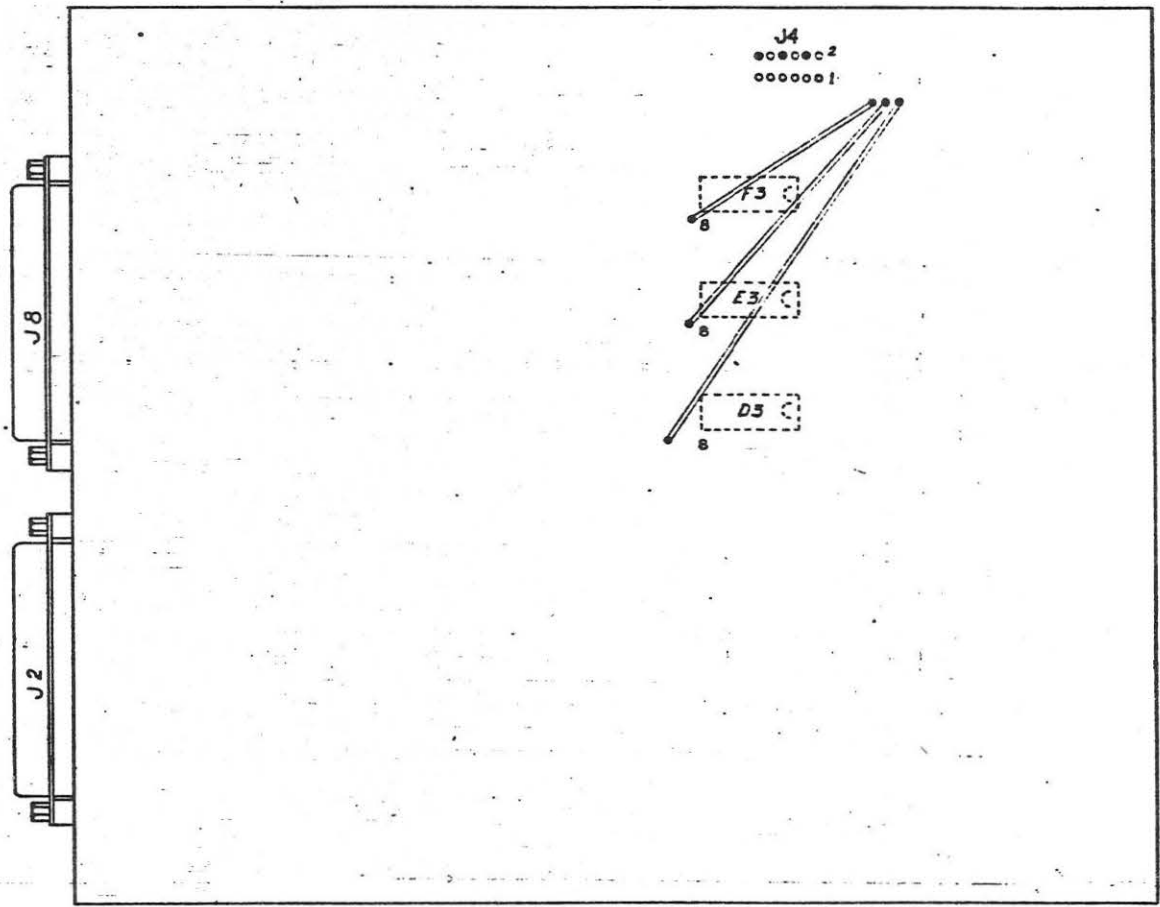
NOTES: UNLESS OTHERWISE SPECIFIED

DISTANCES UNLESS OTHERWISE SPECIFIED DIMENSIONS ARE IN INCHES UNLESS NOTED OTHERWISE		GEN. ENG. UNIT 2-722-173	BURROUGHS BUREAU OF PRODUCTS GROUP GUAYMAS, MEXICO	PLANT NO. MEXICO
TITLE PWB, 1/0 MOD. S.S.	CLASS CODE 2-7045	SCALE 1:1	SHEET NO. 2857	TOTAL SHEETS 3061

184

8 7 6 5 4 3 2 1

SEE SHY 2



DISK SELECTION CHART		
JUMPERS	J8-47=0	J8-47=0
CONFIGURATION	JU1=SU JU2=DL	JU1=SU JU2=SL
UPPER PLATTER	ENABLE	DISABLE
LOWER PLATTER	ENABLE	ENABLE

DETAIL ON SOLDER SIDE

185

<small>100MMX125MM UNLESS OTHERWISE SPECIFIED</small> INCHES 25.4 <small>UNLESS OTHERWISE SPECIFIED</small>		<small>SEE THIS DRAWING FOR</small> ANCHORS <small>SEE THIS DRAWING FOR</small> DIMENSIONS <small>SEE THIS DRAWING FOR</small> FINISHES <small>SEE THIS DRAWING FOR</small> MATERIALS <small>SEE THIS DRAWING FOR</small> TOLERANCES <small>SEE THIS DRAWING FOR</small> UNLESS OTHERWISE SPECIFIED	PERIPHERAL PRODUCTS GROUP GUANAJUATA, MEXICO TITLE PWBA, I/O MOD. 55 SCALE: SHEET 2 OF 2 NONE 2 OF 2	PLANT NO. MEXICO CLASS CODE 2-7045 2857 3061
---	--	--	--	---

8 7 6 5 4 3 2 1

ENGINEERING PARTS LIST REPORT

*** LAST CHANGE: 7 Dec, 1978

PRINTED: 7 Dec, 1978

TRAN NUMBER	PART/DOC	DT	DESCRIPTION	DRW SIZE	DRW REV	ISSUE	UOM	CLASS CODE	DOC CODE	ECT	ECNO	OSGN CNTL
2857 2634	PL		PWBA-I/O MOD D.S.	D	B	2	EA	2-7045-000	2	ECN	10761	027
TRAN ITEM	DT	DRW SIZE	PART/DOC NUMBER	DRW REV	ISSUE IN	DOC OUT	DESCRIPTION	QUANTITY	UOM	ECT	ECNO	
1	PL	D	2857 2535		2	999 2	PWB-I/O MOD	1.00	EA	ECN	10761	
2		S	1951 6350		1	999 0	HEADER 9 POSITION	1.00	EA			
3		S	2160 2586		1	999 0	CONN 50 PIN RT ANGL	2.00	EA			
4		S	2857 2618		1	999 0	CONN RT ANGLE 60 POS	1.00	EA			
5		ST	1447 3524		1	999 0	IC, 4-2IN AND 7408	2.00	EA			
6		ST	1447 3532		1	999 0	IC,HEX INV 7404	1.00	EA			
7		A	1447 3581		1	999 0	IC, DC NAND 7438	1.00	EA			
8		ST	2602 3291		1	999 0	IC, 74S157	1.00	EA			
9			1449 1039		1	999 0	IC, 8 PIN S TIMER 555	1.00	EA			
10		A	1449 1260		1	999 0	HEX D FL-FLP.74174	4.00	EA			
11		A	1674 4963		1	999 0	IC DC HEX INV 7406	3.00	EA			
12		S	2158 6235		1	999 0	IC-2- MULTI 74123	1.00	EA			
13			2600 1495		1	999 0	HEX INV 74S04	5.00	EA			
14	S	A	2607 1845		1	999 0	IC 74LS112	1.00	EA			

PAGE 1

ASSEMBLY 2857 2634 ISSUE 2

186

ENGINEERING PARTS LIST REPORT

*** LAST CHANGE: 7 Dec, 1978

PRINTED: 7 Dec, 1978

TRAN NUMBER	PART/DOC	DT	DESCRIPTION	DRW SIZE	DRW REV	ISSUE	UOM	CLASS CODE	DOC CODE	ECT	ECNO	OSGN CNTL
2857 2634	PL		PWBA-I/O MOD D.S.	D	B	2	EA	2-7045-000	2	ECN	10761	027
TRAN ITEM	DT	DRW SIZE	PART/DOC NUMBER	DRW REV	ISSUE IN	DOC OUT	DESCRIPTION	QUANTITY	UOM	ECT	ECNO	
15	S	A	2608 2073		1	999 0	IC, 74LS157	3.00	EA			
16		S	1446 7153		1	999 0	TRANS 2N2222A	3.00	EA			
17			1472 8349		1	999 0	2N930 TSTR NPN	1.00	EA			
18		S	2300 5697		1	999 0	CAP 0.01 MF	1.00	EA			
19			1876 9893		1	999 0	CAP 0.1UF 50V.	18.00	EA			
20		S	1267 9072		1	999 0	CAP 2.2UF 35V	1.00	EA			
21		S	1267 9106		1	999 0	CAP 4.7UF 10V	1.00	EA			
22			1267 9148		1	999 0	CAP 6.8UF	1.00	EA			
23		S	1111 8734		1	999 0	RES, 1K 1/4W 2%	11.00	EA			
24		S	1111 9112		1	999 0	RES, 38.3K 2% 1/4W	1.00	EA			
25		S	1111 9211		1	999 0	RES,100K 1/4W 2%	1.00	EA			
26		S	1111 9286		1	999 0	RES,196K 2% 1/4W	1.00	EA			
27		S	1265 6658		1	999 0	RES,510K 5% 1/4W	1.00	EA			
28	D		2857 2626	B	2	999 4	SCHEM-I/O MOD	0.00	RF	ECN	10761	

PAGE 2

ASSEMBLY 2857 2634 ISSUE 2

187

ENGINEERING PARTS LIST REPORT

*** LAST CHANGE: 7 Dec, 1978

PRINTED: 7 Dec, 1978

TRAN	PART/DOC NUMBER	DT	DESCRIPTION	DRW SIZE	DRW REV	ISSUE	UOM	CLASS CODE	DOC CODE	ECT	ECND	DSGN CNTL
	2857 2634	FL	PWBA-I/O MOD D.S.	D	B	2	EA	2-7045-000	2	ECN	10761	027

TRAN	ITEM	DRW DT	PART/DOC SIZE NUMBER	CFW REV	ISSUE IN	DOC OUT CODE	DESCRIPTION	QUANTITY	UOM	ECT	ECND
	29	A	2857 2659	B	2	999 4	SPS-I/O MOD D.S.	0.00	RF	ECN	10761
	30		2159 2779		1	999 0	KES, NETWORK	4.00	EA		
	31		2159 5681		1	999 0	RETAINER FEMALE	4.00	EA		
	32	ST	1256 0355		1	999 0	SCREW 4-40X3/8 PH	4.00	EA		
	33	S	1103 4386		1	999 0	WASHER FLAT NYLON	4.00	EA		
	34	ST	1256 7426		1	999 0	WASHER LOCK #4	4.00	EA		
	35	S A	1256 5206		1	999 0	NUT HEX 4-40	4.00	EA		
	36	ST	2606 9765		1	999 0	N.BUFF QUAD 2IN74S37	1.00	EA		
	37	S	2200 8965			999 0	WIRE SOLID INSULAT	2.00	FT	ECN	10761
	38	C	1447 4308		1	999 0	BUS BAR P.C. (ASSY)	3.00	EA		
	39		2857 2642		1	999 0	I/O CLK T.P. ASSY	1.00	EA		
	40		1447 9596		1	999 0	QUAD 2IN NAND BFR.7437	1.00	EA		

ENGINEERING PARTS LIST REPORT

*** LAST CHANGE: 7 Dec, 1978

PRINTED: 7 Dec, 1978

TRAN	PART/DOC NUMBER	DT	DESCRIPTION	DRW SIZE	DRW REV	ISSUE	UOM	CLASS CODE	DOC CODE	ECT	ECND	DSGN CNTL
	2857 2634	FL	PWBA-I/O MOD D.S.	D	B	2	EA	2-7045-000	2	ECN	10761	027

TRAN	ITEM	DRW DT	PART/DOC SIZE NUMBER	DRW REV	ISSUE IN	DOC OUT CODE	DESCRIPTION	QUANTITY	UOM	ECT	ECND
------	------	-----------	-------------------------	---------	-------------	-----------------	-------------	----------	-----	-----	------

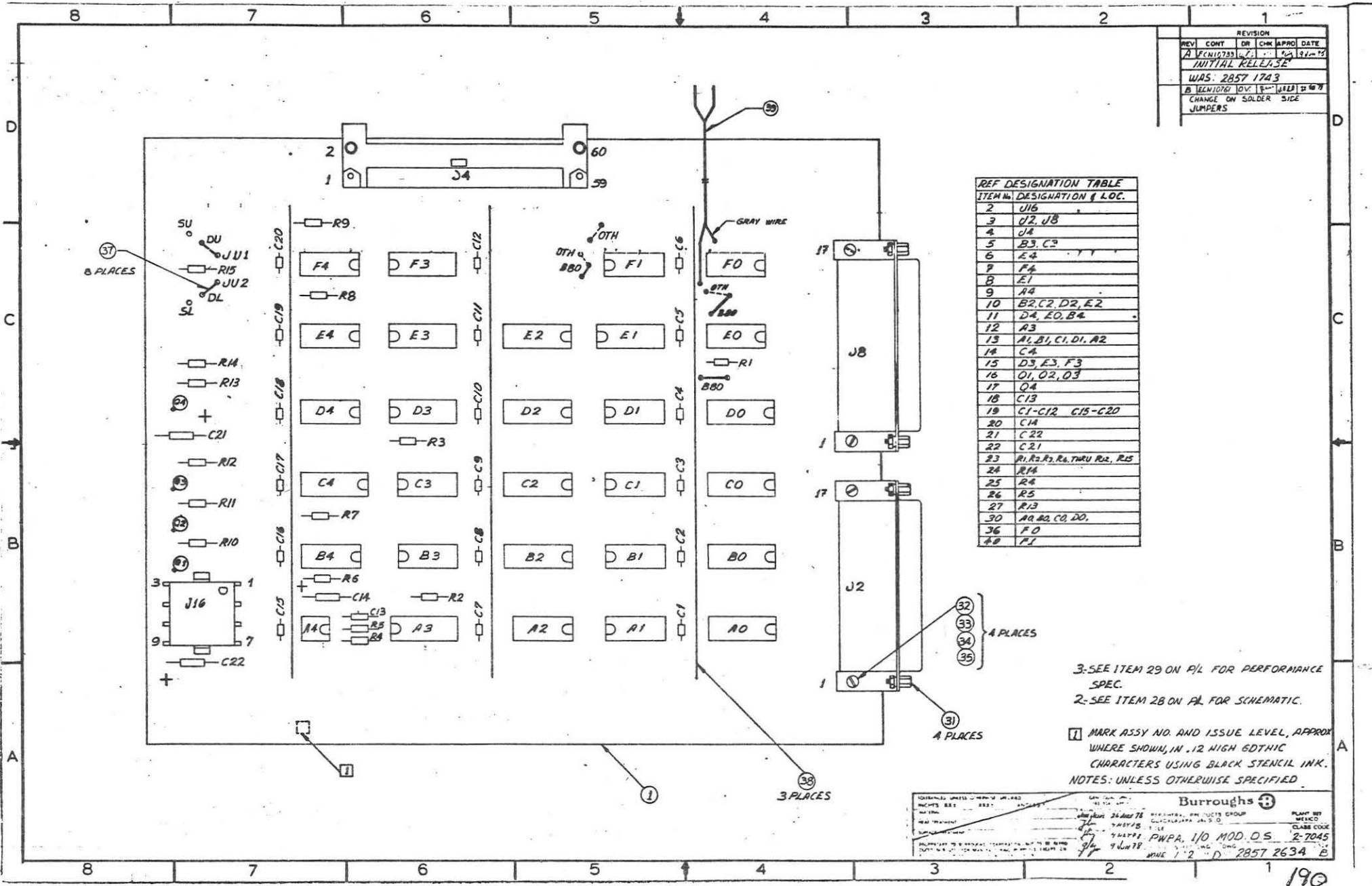
***** ADDITIONS AND DELETES SINCE LAST ISSUE *****

C	1	PL	D	2857 2535		1 1 2	PWB-I/O MOD DS	1.00	EA		
C	29	A	A	2857 2659		1 1 4	SPS-I/O MOD D.S.	0.00	RF		
C	37	S	S	2200 8965		1 1 0	WIRE SOLID INSULAT	0.50	FT		
D	41	S		1941 2055		1 1 0	WIRE, 22 AWG INS	1.50	FT		

***** LAST LINE *****

REVISION					
REV	CONT	OR	CHK	APPRO	DATE
A	FCM1785	10/71			11-75
INITIAL RELEASE					
WIAS: 2857 1743					
B	FCM1076	10/71			11-75
CHANGE ON SOLDER SIDE JUMPERS					

ITEM No.	DESIGNATION & LOC.
2	U16
3	U2, U8
4	U4
5	B3, C3
6	E4
9	F4
8	E1
9	A4
10	B2, C2, D2, E2
11	D4, E0, B4
12	A3
13	A1, B1, C1, D1, A2
14	C4
15	D3, E3, F3
16	O1, O2, O3
17	O4
18	C13
19	C1-C12, C15-C20
20	C14
21	C22
22	C21
23	R1, R2, R3, R6, THRU R12, R15
24	R14
25	R4
26	R5
27	R13
30	A0, B0, C0, D0,
36	F0
48	F1

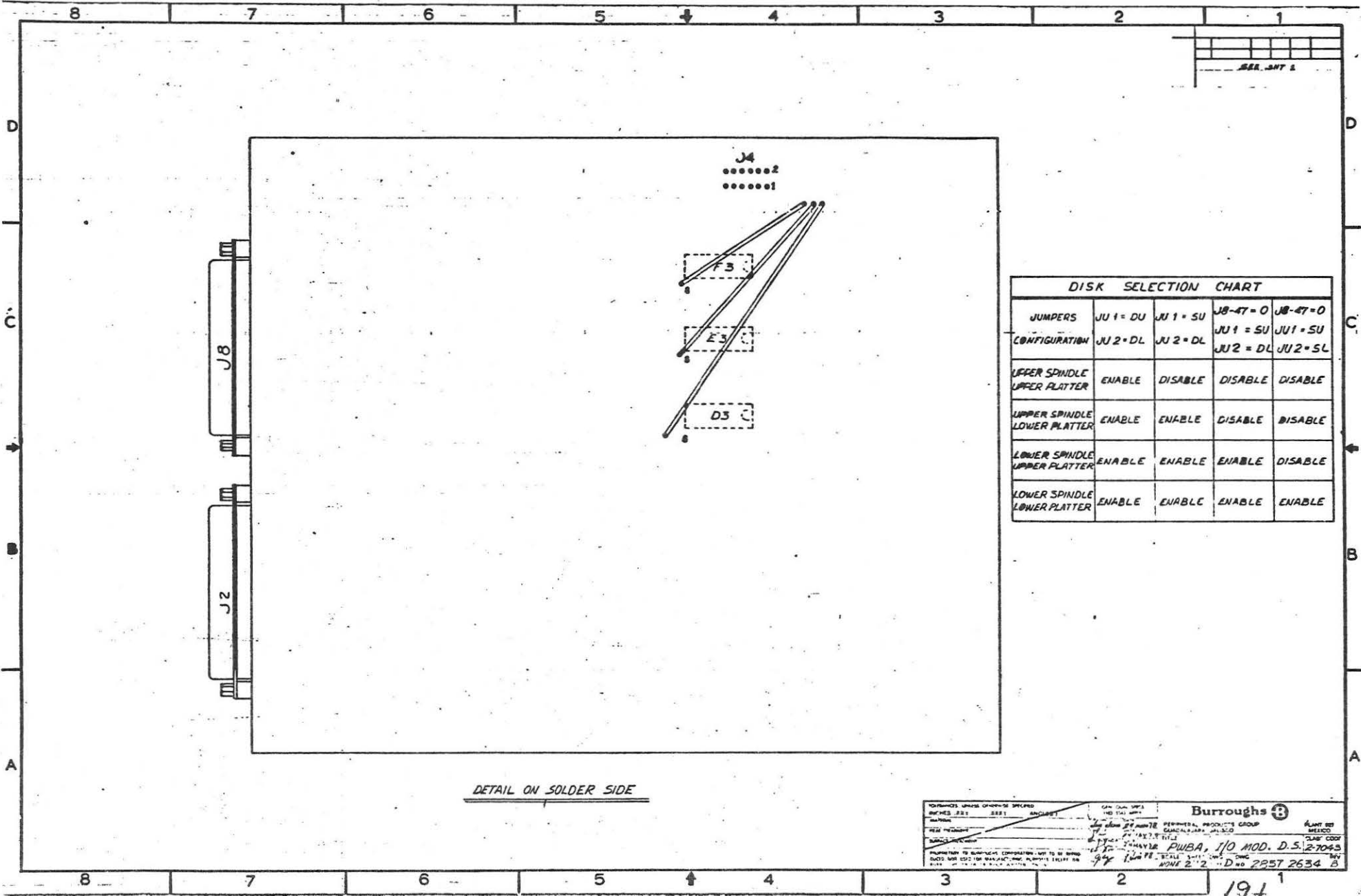


3-SEE ITEM 29 ON P/L FOR PERFORMANCE SPEC.
 2-SEE ITEM 28 ON P/L FOR SCHEMATIC.

1 MARK ASSY NO. AND ISSUE LEVEL, APPROX WHERE SHOWN, IN .12 HIGH 6DTHC CHARACTERS USING BLACK STENCIL INK. NOTES: UNLESS OTHERWISE SPECIFIED.

IDENTIFIED BY: _____ DATE: _____
 CHECKED BY: _____ DATE: _____
 DESIGNED BY: _____ DATE: _____
 DRAWN BY: _____ DATE: _____
 APPROVED BY: _____ DATE: _____

Burroughs
 ELECTRONIC PRODUCTS GROUP
 P/WPA, 1/10 MOD. D.S. 2-7045
 WORK 1-2 "D" 2857 2634 B



SEE SHIT 1

DISK SELECTION CHART				
JUMPERS	JU 1 = DU	JU 1 = SU	JB-47 = 0	JB-47 = 0
CONFIGURATION	JU 2 = DL	JU 2 = DL	JU 1 = SU	JU 1 = SU
			JU 2 = DL	JU 2 = SL
UPPER SPINDLE UPPER PLATTER	ENABLE	DISABLE	DISABLE	DISABLE
UPPER SPINDLE LOWER PLATTER	ENABLE	ENABLE	DISABLE	DISABLE
LOWER SPINDLE UPPER PLATTER	ENABLE	ENABLE	ENABLE	DISABLE
LOWER SPINDLE LOWER PLATTER	ENABLE	ENABLE	ENABLE	ENABLE

DETAIL ON SOLDER SIDE

Burroughs

PERIPHERAL PRODUCTS GROUP
SAN DIEGO, CALIFORNIA

PLMBA, 110 MOD. D.S. 27063

DATE: 11/28/78

WORK 2'2 D no 2257 2634 B

ENGINEERING PARTS LIST REPORT

LAST CHANGE 20 Sep, 1979

PRINTED 20 Sep, 1979

TRAN	PART/DOC NUMBER	DT	DESCRIPTION	DRW SIZE	DRW REV	ISSUE	UOP	CLASS CODE	DOC CCDE	ECT	ECNO	DSGN CNTL
	2163 1205	PL	PNEA-POWER SUPPLY	D		C	5	EA	2-7045-000	2	ECN	10997 829

TRAN	ITEM	DT	DRW SIZE	PART/DOC NUMBER	DFW REV	ISSUE IA	DOC OUT	CCDE	DESCRIPTION	QUANTITY	UOP	ECT	ECNO
	1	PL	D	2163 1213		1	999	2	FNB-POWER SUPPLY	1.00	EA		
	2	S	A	1126 5725		1	999	0	CAF-21500UF,40W	2.00	EA		
	3	S	A	1126 5741		1	999	0	CAF-48KUF,25V	1.00	EA		
	4	S	A	2028 5367		1	999	0	CAF-8700UF,25V	4.00	EA		
	5	S	A	2200 6506		1	999	0	RES,0.1,0.5W,5%	2.00	EA		
	6	S	A	1117 7854		1	999	0	RES,0.05,3W,3%	1.00	EA		
	7	ST	A	1268 3504		1	999	0	RES,2K,5%,1W	2.00	EA		
	8	S	A	2027 4056		1	999	0	RECTIFIER BRIDGE	4.00	EA		
	9	S	A	1102 8131		4	999	0	1/2A SLOBL0 FUSE	3.00	EA	ECN	10722
	10	S	A	1102 8149		4	999	0	FUSE-3A,3AG	1.00	EA	ECN	10722
	11	S	A	1112 2082		1	999	0	FUSE 2A 3AG 125V	1.00	EA		
	12	S	A	1951 6376		1	999	0	CONN HEADER 15 CNT	1.00	EA		
	13	S	A	2028 5979		1	999	0	HEAT SINK,TAPPED	4.00	EA		
	14	S	A	2155 8713		1	999	0	HOLDER-FUSE	14.00	EA		

PAGE 1

ASSEMBLY 2163 1205 ISSUE 5

192

ENGINEERING PARTS LIST REPORT

LATEST ISSUE

LAST CHANGE 20 Sep, 1979

PRINTED 20 Sep, 1979

TRAN	PART/DOC NUMBER	DT	DESCRIPTION	DRW SIZE	DRW REV	ISSUE	UOP	CLASS CODE	DOC CCDE	ECT	ECNO	DSGN CNTL
	2163 1205	PL	PNEA-POWER SUPPLY	D		C	5	EA	2-7045-000	2	ECN	10997 829

TRAN	ITEM	DT	DRW SIZE	PART/DOC NUMBER	DFW REV	ISSUE IA	DOC OUT	CCDE	DESCRIPTION	QUANTITY	UOP	ECT	ECNO
	15	S	A	2857 1925		3	999	0	TERM-QUICK CONNECT	16.00	EA	ECN	10591
	16	S	A	1255 5280		1	999	0	SCREW 8-32X3/4 FH	4.00	EA		
	17	S	D	2162 6372	G	4	999	4	SCHEM-PWR SUPPLY	0.00	RF	ECN	10722
	18	S	A	2162 1883		2	999	4	SPS-POWER SUPPLY	0.00	RF	ECN	10561
	20	S	B	2162 8342		4	999	0	LABEL, FUSE	1.00	EA	ECN	10722
	21	S	S	1196 5142		1	999	0	10CNP RES 3W	1.00	EA		
	22	S	S	2158 0568		1	999	0	GREASE THERMAL	0.00	AR		
	23	S	S	2157 1427		1	999	0	4 AMF AB FUSE	1.00	EA		
	24	S	A	1617 5200		1	999	0	FUSE,0A,250V,SLOBL	1.00	EA		
	25	S	A	1256 8051		5	999	0	WASHER PLAIN #10	14.00	EA		
	26	S	A	1256 1486		5	999	0	SCREW 10-32X.50" PH	14.00	EA		
	27	S	A	1256 7467		5	999	C	LOCK WASHER #10	14.00	EA		

PAGE 2

ASSEMBLY 2163 1205 ISSUE 5

193

ENGINEERING PARTS LIST REPORT

*** LAST CHANGE: 20 Sep, 1979

PRINTED: 20 Sep, 1979

TRAN	PART/DOC NUMBER	DT	DESCRIPTION	DRW SIZE	DRW REV	ISSUE	UOM	CLASS CODE	DOC CCDE	E6T	ECNO	DS6N CNTL
	2163 1205	FL	PWBA-POWER SUPPLY	D	C	5	EA	2-7045-000	2	ECN	10997	829

TRAN	ITEM	DT	DRW SIZE	PART/DOC NUMBER	DRW REV	ISSUE IN	DOC OUT CODE	DESCRIPTION	QUANTITY	UOM	ECT	ECNO
------	------	----	-------------	--------------------	---------	-------------	-----------------	-------------	----------	-----	-----	------

***** ADDITIONS AND DELETES SINCE LAST ISSUE *****

A	25	A		1256 8051		5	999 0	WASHER PLAIN #10	14.00	EA		
A	26	A		1256 1486		5	999 0	SCREW 10-32X.50" PH	14.00	EA		
A	27	A		1256 7467		5	999 0	LOCK WASHER #10	14.00	EA	ECN	10997

***** LAST LINE *****

D21631205 C 1 of 1
PWRB - Power Supply

8

7

6

5

4

3

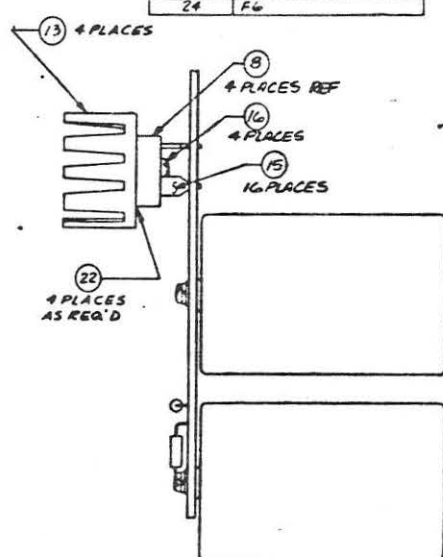
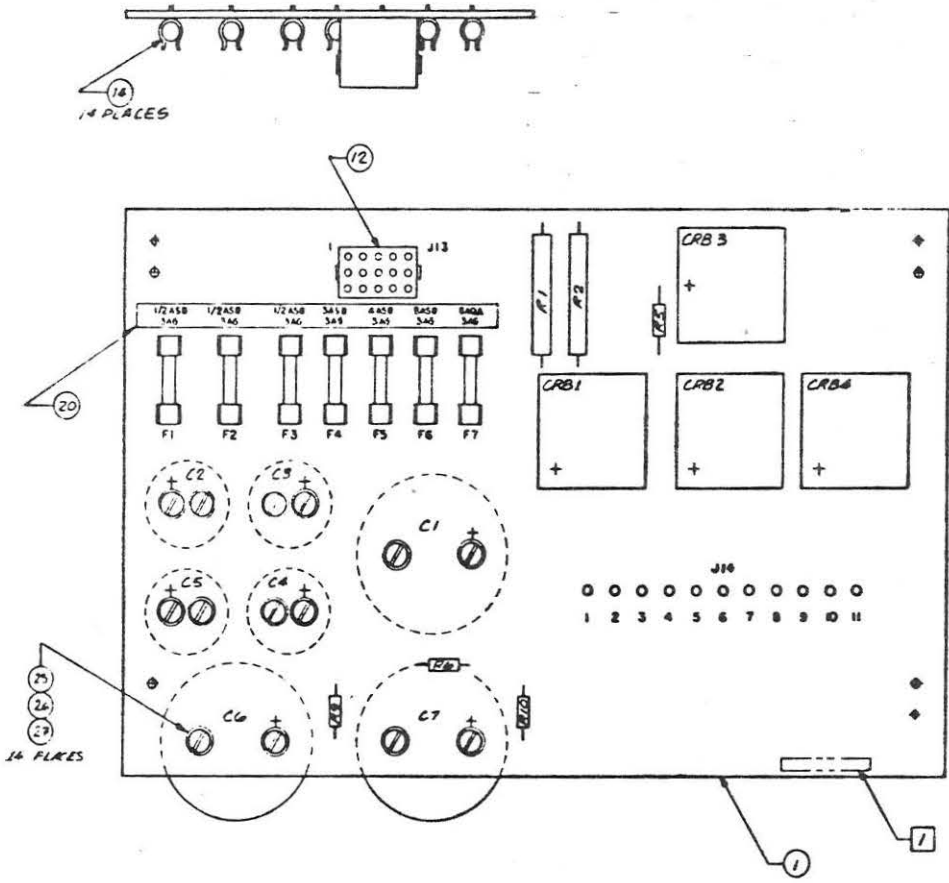
NO. 1 12204
5021 F70 ON SMD 2

2

1

ZONE	REVISION				
	REV	CONT	OR	CHK APPD DATE	
	A	REH43111	MS	8/1/52	1/1/52
	INITIAL RELEASE WAS 2163 0002. F5 AND F6 WERE 3 AMP FUSES. RELOCATED F6 WITHIN CRB 4 (-) CIRCUIT				
3D	BY DESK TABLE, REW 9	ADDED 11	BY DESK TABLE, REW 9	ELIMATED 12	
6C	BY DESK	BASE IS BOM	(P1)		
7C	BY 3 ASD	IS 12204 (P2)			
C	RELOCATED	TO A (SMD)	AS REQ'D		
310	ADDED ITEMS	15, 26, 27			
	14 PLACES				

ITEM NO.	REF DESIG OR LOC.
2	C6, C7
3	C1
4	C2, C3, C4, C5
5	R1, R2
6	F5
7	R3, R10
8	CRB1 THRU CRB4
9	F1, F2, F3
10	F7
11	F7
21	R6
23	F5
24	F6



3.- SEE ITEM 18 ON FIL FOR PERFORMANCE SPEC.
2.- SEE ITEM 17 ON FIL FOR SCHEMATIC.
1 MAX ASSY NO. AND ISSUE LEVEL APPROX WHERE SMD'S, LEADS, 12 HIGH GOTHIC BLACK STENCIL INK CHARACTERS.

NOTES: UNLESS OTHERWISE SPECIFIED

SEE P/L

GEN QUAL SPEC 1183 8948 APPLY		Burrage Corporation	
TOLERANCES UNLESS OTHERWISE SPECIFIED	DRY	DATE	1/1/52
EXH. 2.3 EXH. 2.10 ANGLES 45°	2.10	2.10	2.10
MATERIAL	2.10	2.10	2.10
HEAT TREATMENT	2.10	2.10	2.10
SURFACE FINISH	2.10	2.10	2.10
CLASS CODE	2.10	2.10	2.10
PANEL POWER SUPPLY		1/1 2163 1205 C	

ENGINEERING PARTS LIST REPORT

*** LAST CHANGE: 1 Jun, 1978

PRINTED: 1 Jun, 1978

TRAN NUMBER	PART/DOC	DT	DESCRIPTION	DRW SIZE	DRW REV	ISSUE	UOM	CLASS CODE	DOC CODE	ECT	ECNO	DSGN CNTL
2161 7170	PL	D	MODULE KIT-C.E.M.	C	B	23	EA	2-7047-000	2	FCN	10732	027

TRAN ITEM	DT	DRW SIZE	PART/DOC NUMBER	DRW REV	ISSUE IN	DOC OUT	CODE	DESCRIPTION	QUANTITY	UOM	ECT	ECNO
1	PL	D	2162 3830		1	999	2	PWBA-DC VOLT MON	1.00	EA		
2	PL	D	2857 2717		23	999	2	PWBA-SECTOR GEN	1.00	EA	ECN	10732
3	PL	D	2162 1800		1	999	2	PWBA-DR CONTROL 3	1.00	EA		
5	PL	D	2857 2410		21	999	2	PWBA-DR CONTROL 2	1.00	EA	ECN	10692
6	PL	D	2161 7345		1	999	2	PWBA-SVD PREAMP	1.00	EA		
7	MU	D	2857 1610		19	999	2	PWBA-ADDRESS COMP	1.00	EA	ECN	10535
8											ECN	10553
9	PL	D	2163 3532		16	999	2	PWBA-WRITE ENCODER	1.00	EA	ECN	10461
10	MU	D	2857 1685		22	999	2	PWBA-TIMING/RFC U	1.00	EA	ECN	10545
11	PL	D	2163 2682		14	999	2	PWBA-DATA DISCRIM	1.00	EA	ECN	63121
12	PL	D	2163 1627		12	999	2	PWBA-LPC CORRUTP	1.00	EA	ECN	63114
13	MU	D	2857 1677		22	999	2	PWBA E C C GEN	1.00	EA	ECN	10545
14	PL	D	2857 1255		20	999	2	PWBA-ECC TIMING	1.00	EA	ECN	10497

PAGE 1

ASSEMBLY 2161 7170 ISSUE 23

196

ENGINEERING PARTS LIST REPORT

LATEST ISSUE *** LAST CHANGE: 1 Jun, 1978

PRINTED: 1 Jun, 1978

TRAN NUMBER	PART/DOC	DT	DESCRIPTION	DRW SIZE	DRW REV	ISSUE	UOM	CLASS CODE	DOC CODE	ECT	ECNO	DSGN CNTL
2161 7170	PL	D	MODULE KIT-C.E.M.	C	B	23	EA	2-7047-000	2	ECN	10732	027

TRAN ITEM	DT	DRW SIZE	PART/DOC NUMBER	DRW REV	ISSUE IN	DOC OUT	CODE	DESCRIPTION	QUANTITY	UOM	ECT	ECNO
-----------	----	----------	-----------------	---------	----------	---------	------	-------------	----------	-----	-----	------

*****ADDITIONS AND DELETES SINCE LAST ISSUE*****

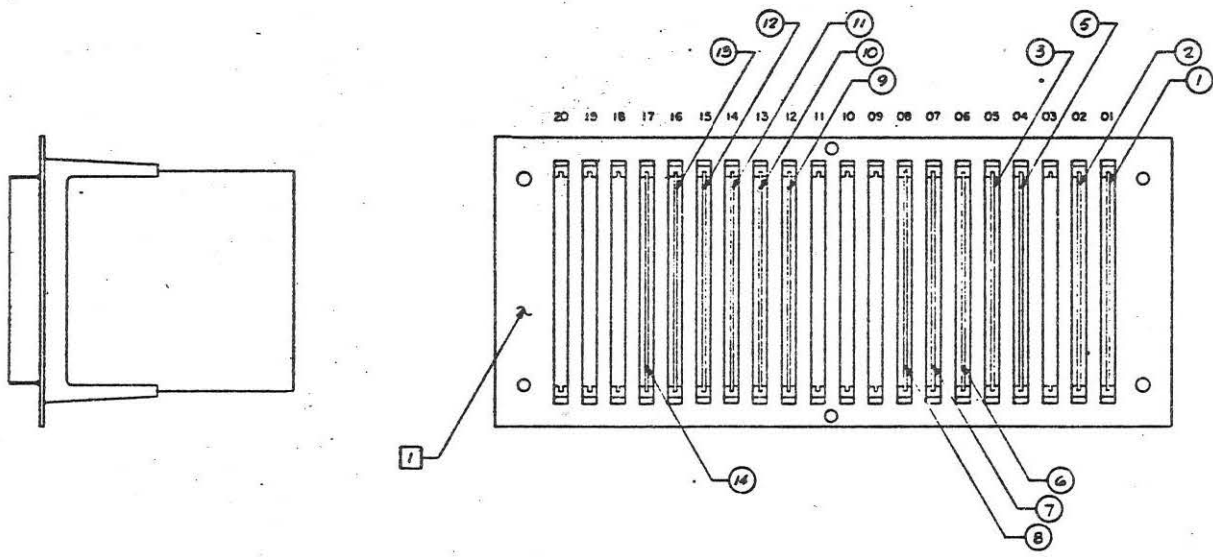
D	2	PL	D	2161 7188		1	22	2	PWBA, SECTOR GEN	1.00	EA	
A	2	PL	D	2857 2717		23	999	2	PWBA, SECTOR GEN	1.00	EA	ECN 10732

*****LAST LINE*****

02161 7170 B 1 of 1
 Module Kit C.E.M.

1/20 / 1/2000
 Q24

REV	DATE	BY	APP'D	DATE
A	1/20/60
B	2/25/60
3C	DELETED ITEM 4			
3C	DELETED ITEM 5			



1 CONNECTOR PLATE ASSY SHOWN AS REFERENCE FOR CARD LOCATION ONLY.
 NOTES: UNLESS OTHERWISE SPECIFIED

SEE P/L

TOLERANCES UNLESS OTHERWISE SPECIFIED		GEN QUAL SPEC 1183 2543 APPLY	
MATERIAL	FINISH	DATE	BY
MEAT TREATMENT	ANODIZING	DATE	BY
SURFACE TREATMENT	CLASS CODE	DATE	BY
PROPERTY TO BURGESS CORPORATION NOT TO BE REPRODUCED OR COPIED FOR MANUFACTURING PURPOSES EXCEPT BY BURGESS CORPORATION		Burgess Corporation	
DISK FACE PRODUCTS		WESTLAKE VILLAGE CALIF 91390	
TITLE		MODULE KIT, C.E.M.	
SCALE	SHEET	OF 1	
02161 7170 B		198	

ENGINEERING PARTS LIST REPORT

*** LAST CHANGE: 20 Sep. 1979

PRINTED: 20 Sep. 1979

PART/DOC TRAN NUMBER	DT	DESCRIPTION	DRW SIZE	DRW REV	ISSUE	UOM	CLASS CODE	DOC CODE	ECT	ECNO	DSGN CNTL
2162 3830	PL	PNBA-DC VOLT MON	D		C	7	EA	2-7045-000	2	ECN	10975 027

HEADER LINE CHANGES SINCE LAST ISSUE

A

TRAN ITEM	DT	DRW SIZE	PART/DOC NUMBER	DRW REV	ISSUE IN	DOC OUT CODE	DESCRIPTION	QUANTITY	UOM	ECT	ECNO
1	PL	D	2162 2535		1	999 2	PWB-DC VOLT MONTR	1.00	EA		
2		S	1907 7726		1	999 0	PKG.OP AMPL 747	1.00	EA		
3		S	2118 8297		1	999 0	IC LM339COMPARATOR	1.00	EA		
4		S	2156 3119		1	999 0	MULTIVIBRATOR I.C	1.00	EA		
5		A	1447 3565		1	999 0	DUAL 4 INPUT NAND	1.00	EA		
6		S	1768 2616		1	999 0	DIODE IN751A 5-1V	1.00	EA		
7		S	1446 7245		1	999 0	DIODE IN4448	3.00	EA		
8			1877 4257		4	999 0	RES 500 OHM POT	1.00	EA	ECN	10630
9		S	1111 8734		1	999 0	RES 1K 1/4W 2X	8.00	EA		
10			1267 4156		1	999 0	RES 12.4K 1X 1/4W	2.00	EA		
11		S	1111 8924		1	999 0	RES 6.19K 2X 1/4W	1.00	EA		
12		S	1111 8767		1	999 0	RES 1130 2X 1/4W	1.00	EA		
13			1267 3950		1	999 0	RES 3.92K 1X 1/4W	1.00	EA		

PAGE 1

ASSEMBLY 2162 3830 ISSUE 7 199

ENGINEERING PARTS LIST REPORT

*** LAST CHANGE: 20 Sep. 1979

PRINTED: 20 Sep. 1979

PART/DOC TRAN NUMBER	DT	DESCRIPTION	DRW SIZE	DRW REV	ISSUE	UOM	CLASS CODE	DOC CODE	ECT	ECNO	DSGN CNTL
2162 3830	PL	PNBA-DC VOLT MON	D		C	7	EA	2-7045-000	2	ECN	10975 027

HEADER LINE CHANGES SINCE LAST ISSUE

A

TRAN ITEM	DT	DRW SIZE	PART/DOC NUMBER	DRW REV	ISSUE IN	DOC OUT CODE	DESCRIPTION	QUANTITY	UOM	ECT	ECNO
14			1267 3984		1	999 0	RES 4.75K 1X 1/4W	1.00	EA		
15			1267 0873		1	999 0	RES 511K 1X 1/4W	1.00	EA		
16			1267 0899		1	999 0	RES 562K 1X 1/4W	1.00	EA		
17			1267 0956		1	999 0	RES 750K 1X 1/4W	1.00	EA		
18		S	1111 8759		1	999 0	RES 1.21K 2X 1/4W	1.00	EA		
19		ST	1266 9800		1	999 0	RES 3010 1/4W 1X	1.00	EA		
20		S	1111 8916		1	999 0	RES 5620 2X 1/4W	1.00	EA		
21			1266 9594		1	999 0	RES 1-1K	1.00	EA		
23		S	1111 8791		1	999 0	RES 1700 2X 1/4W	1.00	EA		
24		S	1111 8932		1	999 0	RES 6810 2X 1/4W	1.00	EA		
25		ST	1267 5096		1	999 0	RES 2.43K 1X 1/4W	2.00	EA		
26		S	1111 8700		1	999 0	RES 750 2X 1/4W	1.00	EA		

PAGE 2

ASSEMBLY 2162 3830 ISSUE 7

ENGINEERING PARTS LIST REPORT

*** LAST CHANGE: 20 Sep. 1979

PRINTED: 20 Sep. 1979

PART/DOC	DRM	DESCRIPTION	SIZE	DRM REV	ISSUE	UOM	CLASS CODE	DOC CODE	ECT	ECHO	DSGM
TRAN NUMBER	DT										CNTL
2162 3830	PL	PMBA-DC VOLT MON	D		C	7	EA	2-7045-000	2	ECN	10975 027

****HEADER LINE CHANGES SINCE LAST ISSUE****

A

TRAN	ITEM	DRM	PART/DOC	DRM REV	ISSUE	DOC	DESCRIPTION	QUANTITY	UOM	ECT	ECHO
		DT	SIZE NUMBER		IN	OUT					
	27	ST	1267 9163		1	999 0	CAP-10 UF 20X 20V	1.00	EA		
	28	S	2011 0660		1	999 0	CAP-180PF * 2X	1.00	EA		
	29	S	230C 5679		1	999 0	CAP-0.1 UF 50V	9.00	EA		
	31	S	2300 5697		1	999 0	CAP- .01 MF	1.00	EA		
	32	A	1447 1734		1	999 0	POST-MOD 2	6.00	EA		
	33	B	2857 1636		3	999 0	SPACER-MOD	2.00	EA	ECN	10545
	34	A	2857 3590	A	6	999 3	PERF SPEC DC V MON	0.00	RF	ECN	10825
	35	D	2162 3663	C	5	999 4	SCHEN-DC VOLT MON	0.00	RF	ECN	10723
	36	S	A 1267 4545		1	999 0	RES-200K-1/4W 1X	1.00	EA		

*****ADDITIGNS AND DELETES SINCE LAST ISSUE*****

***** LAST LINE *****

PAGE 3

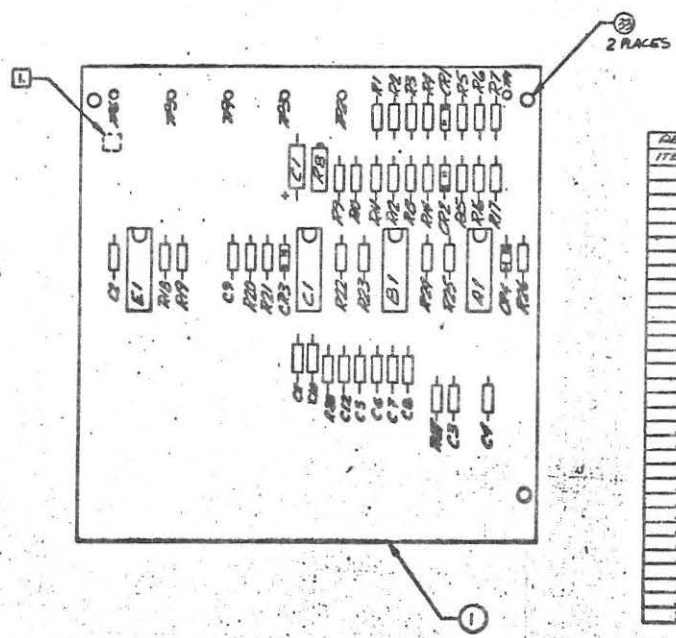
ASSEMBLY 2162 3830 ISSUE 7

D 2162 3830 C 1041
PWSA DC VOLTAGE MONITOR

REV.	DATE	BY	DESCRIPTION
A	12/14/63	WJ	REVISED
B	12/24/63	WJ	REVISED
C	1/10/64	WJ	REVISED
D	1/10/64	WJ	REVISED
E	1/10/64	WJ	REVISED
F	1/10/64	WJ	REVISED
G	1/10/64	WJ	REVISED
H	1/10/64	WJ	REVISED
I	1/10/64	WJ	REVISED
J	1/10/64	WJ	REVISED
K	1/10/64	WJ	REVISED
L	1/10/64	WJ	REVISED
M	1/10/64	WJ	REVISED
N	1/10/64	WJ	REVISED
O	1/10/64	WJ	REVISED
P	1/10/64	WJ	REVISED
Q	1/10/64	WJ	REVISED
R	1/10/64	WJ	REVISED
S	1/10/64	WJ	REVISED
T	1/10/64	WJ	REVISED
U	1/10/64	WJ	REVISED
V	1/10/64	WJ	REVISED
W	1/10/64	WJ	REVISED
X	1/10/64	WJ	REVISED
Y	1/10/64	WJ	REVISED
Z	1/10/64	WJ	REVISED

ITEM 9 ADD #29
ITEM 10 DELETED #17
ITEM 21 DELETED WAS #14
ITEM 27 ADD C6, C7, 8, 10, 11
ADD ITEM 36 #17

REVISED
REDRAWN C3, 4, 7, 8, 10, 11
ADDED C12



REF DESIGNATION TABLE	
ITEM NO.	REF DES. OR LOC.
1	C1
2	B1
3	E1
4	F1
5	G1
6	CH1, 2, 3
7	R1
8	R2
9	R30, R17, R18, R19, R20, R21, R22
10	R10, R15
11	R23
12	R24
13	R25
14	R26
15	R27
16	R28
17	R29
18	R4
19	R5
20	R6
21	R7
22	R8
23	R9
24	R11
25	R12, R16
26	R13
27	R14
28	C2
29	C3, 4, 5, 6, 7, 8, 10, 11
30	C4
31	C5
32	TP1, 2, 3, 4, 5, 6
36	R17

3. SEE ITEM 35 ON P/L FOR SCHEMATIC
2. SEE ITEM 34 ON P/L FOR PERM SPEC.

1. MAKE DESIGN NO. APPROX WHERE SHOWN USING 1/8" HIGH GOTHIC WHITE STENCIL INK CHARACTERS.

NOTES: UNLESS OTHERWISE SPECIFIED

SEE P/L

UNLESS OTHERWISE SPECIFIED	SEE P/L	SEE P/L	SEE P/L	SEE P/L
MATERIAL	DATE	APPROVED	DESIGNED	DRAWN
WORK TREATMENT	SCALE	TITLE	DATE	REV
MANUFACTURING PURPOSES ONLY ON DRAWINGS MADE BY THIS COMPANY	SCALE	TITLE	DATE	REV
	2701	PWSA DC VOLTAGE MONITOR	12/14/63	1

ENGINEERING PARTS LIST REPORT

*** LAST CHANGE: 17 May, 1979

PRINTED: 17 May, 1979

TRAN	PART/DOC NUMBER	DT	DESCRIPTION	DRM SIZE	DRM REV	ISSUE	UOM	CLASS CODE	DOC CODE	ECT	ECNO	DSGN CNTRL
	2857 2717	PL	PNBA-SECTOR GEN	D	B	4	EA	2-7045-G00	2	ECN	10918	027

TRAN	ITEM	DRM DT	PART/DOC SIZE NUMBER	DRM REV	ISSUE IN	DOC OUT CODE	DESCRIPTION	QUANTITY	UOM	ECT	FCNO
	1	PL D	2857 2725		1 999	2	PNB-SECTOR GEN.	1.00	EA		
	2	ST	1447 3607		1 999	0	IC-DUAL D FF 7474	1.00	EA		
	3	S	2158 6235		1 999	0	IC-2-MULTI 74123	2.00	EA		
	4	S	1449 1278		1 999	0	IC QUAD D FF 74175	1.00	EA		
	5		1269 6902		1 999	0	IC-74221	2.00	EA		
	6	S A	2607 1787		1 999	0	I.C.-74LS00	2.00	EA		
	7	S A	2608 2073		1 999	0	I.C. 74LS157	1.00	EA		
	8	S	2300 5697		1 999	0	CAP. .01 MF	4.00	EA		
	9	S	2300 5879		1 999	0	CAP 0.1 MF 50V	11.00	EA		
	10		1267 9114		1 999	0	CAP-4.7UF 35V	1.00	EA		
	11	S A	2010 0749		1 999	0	CAP, 10MF 10% 20V	2.00	EA		
	12	S	2300-5622		1 999	0	CAP-2700PF 10250V	2.00	EA		
	13	S	1446 7245		4 999	0	DIODE-1N4448	2.00	EA	ECN	10918
	14	S	1111 8734		1 999	0	RES- 1K 1/4W 2X	2.00	EA		

203

PAGE 1

ASSEMBLY 2857 2717 ISSUE 4

ENGINEERING PARTS LIST REPORT

*** LAST CHANGE: 17 May, 1979

PRINTED: 17 May, 1979

TRAN	PART/DOC NUMBER	DT	DESCRIPTION	DRM SIZE	DRM REV	ISSUE	UOM	CLASS CODE	DOC CODE	ECT	ECNO	DSGN CNTRL
	2857 2717	PL	PNBA-SECTOR GEN	D	B	4	EA	2-7045-000	2	ECN	10918	027

TRAN	ITEM	DRM DT	PART/DOC SIZE NUMBER	DRM REV	ISSUE IN	DOC OUT CODE	DESCRIPTION	QUANTITY	UOM	ECT	FCNO
	15	S	1111 8775		1 999	0	RES-1.47K 2X 1/4W	2.00	EA		
	16	S	1111 8924		1 999	0	RES-6.19K 2X 1/4W	2.00	EA		
	17	S A	1266 9966		1 999	0	RES-6.49K-1/4W-1X	2.00	EA		
	18		1111 9062		1 999	0	RES-23.7K 2X 1/4W	2.00	EA		
	19	S	1877 4299		1 999	0	POT-10K-3/4W	2.00	EA		
	20	B	2857 1636		1 999	0	SPACER-MDD	2.00	EA	ECN	10545
	21	D	2161 7204	F	4 999	4	SCHEM-SECTOR GEN	0.00	RF	ECN	10918
	22	A	2162 2394		1 999	4	SPS-SECTOR GEN	0.00	RF		

*****ADDITIONS AND DELETES SINCE LAST ISSUE*****

C	21	D	2161 7204	E	3	3	4	SCHEM-SECTOR GEN	0.00	RF	ECN	10918
C	13	S	1446 7245		1	3	0	DIODE, 1N4448	4.00	EA		

*****LAST LINE*****

204

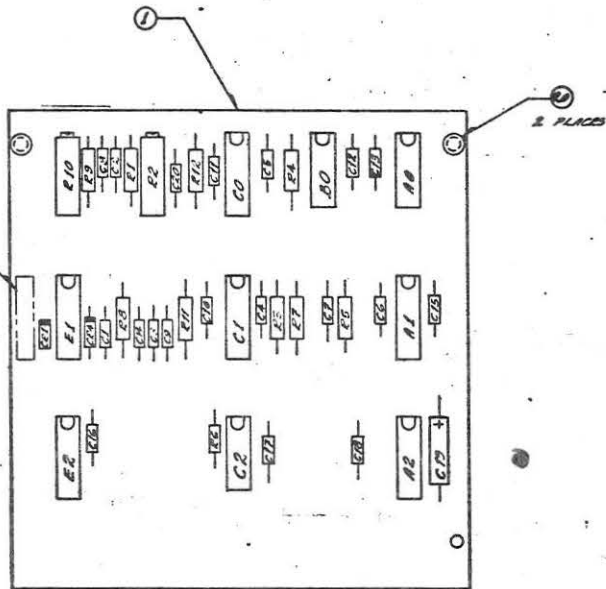
PAGE 2

ASSEMBLY 2857 2717 ISSUE 4

REVISION				
REV	CONT	BY	CHKD	DATE
1	4-4-1975	A.S.M.	[initials]	4-1-75
2	ADDITIONAL RELEASE FROM [initials]	[initials]	[initials]	[initials]
3	FOR [initials]	[initials]	[initials]	[initials]

IN THE REF. DESIGNATION TABLE
BULLETED C'S, C'S ON ITEM IS
AND ON THE ID

ITEM NO.	REF. DESIGNATION OF LOCATION
1	CC
2	A1, C1
3	CC
4	CC, E1
5	CC, E1
6	A1, E0
7	A1
8	CC, C1, C1, C2
9	C1, C2, C1, C2, C1, C1, C2, C1, C2, C1, C2
10	C1
11	CC, E1
12	C1, C1
13	C1, C1
14	CC, E1
15	C1, C1
16	C1, C1
17	C1, E1
18	E1, E1
19	E1, E1



- 1- SEE ITEM 22 ON P/L FOR PERFORMANCE SPEC.
- 2- SEE ITEM 21 ON P/L FOR SCHEMATIC.
- 3- MARK INST NO. AND ISSUE LEVEL, APPROX THREE SHOWS, IN 12 HIGH GOTHIC CHARACTERS USING BLACK STENCIL INK.

NOTES: UNLESS OTHERWISE SPECIFIED

SEE P/L

BURROUGHS WHITE OPPOSITE SYSTEMS	DATE: 4/1/75	Burroughs	PLANT: NEW YORK
INCHES 25:1	3321	PERIPHERAL PRODUCTS GROUP	DESIGN: 2-7045
NEW YORK	NEW YORK	GUANAJAMA, J.M.S.C.O.	CLASS CODE: 2-7045
DATE: 5/22/75	DATE: 5/22/75	FWBA SECTOR GEN.	REV: 8
PROJECT: 2-7045	SCALE: 2 1/2" x 11" (1:2)	NO: 2857 2717	

ENGINEERING PARTS LIST REPORT

*** LAST CHANGE: 14 Jul, 1978

PRINTED: 14 Jul, 1978

PART/DOC		DT	DESCRIPTION	DRN		ISSUE	UON	CLASS CODE	DOC		ECN	ECNO	DSGN
TRAN	NUMBER			SIZE	REV				CODE	CODE			
2857	2048	PL	PWBA-DR CONTROL I	D	A	2	EA	2-7045-000	2	ECN	10723	027	

TRAN	ITEM	DT	DRN	PART/DOC	DRN	ISSUE	DOC	DESCRIPTION	QUANTITY	UON	ECT	ECNO
			REV	NUMBER	REV		CODE					
	1	PL	D	2857 2055		1	999 2	PWB-DRIVE CONTRL I	1.00	EA		
	2		S	2047 7717		1	999 0	SOCKET,COMPONENT	3.00	EA		
	3		A	1269 7744		1	999 0	I.C. 9334	3.00	EA		
	4	ST		1269 7140		1	999 0	COUNTER 4 BIT	2.00	EA		
	5		S	2600 1545		1	999 0	DECODER,3-8 74S138	1.00	EA		
	6		S	2602 3283		1	999 0	DUAL2/4LINE 74S139	1.00	EA		
	7	S	A	2607 1787		1	999 0	I.C.-74LS00	1.00	EA		
	8	S	A	2607 1795		1	999 0	I.C.,74LS02	1.00	EA		
	9		S	2155 9646		1	999 0	LAMP,LED	11.00	EA		
	10		S	2300 5879		1	999 0	CAP 0.1 UF 50V	12.00	EA		
	11		S	1267 9106		1	999 0	CAP 4.7UF 10V	1.00	EA		
	12		B	2857 1636		1	999 0	SPACER,MOD	2.00	EA		
	13		D	2161 7287	F	2	999 4	SCHEM-DR CONTROL I	0.00	RF	ECN 10723	
	14		A	2162 1842	A	1	999 3	SPS-DR CONTROL	0.00	RF		

PAGE 1

ASSEMBLY 2857 2048 ISSUE 2

206

ENGINEERING PARTS LIST REPORT

*** LAST CHANGE: 14 Jul, 1978

PRINTED: 14 Jul, 1978

PART/DOC		DT	DESCRIPTION	DRN		ISSUE	UON	CLASS CODE	DOC		ECN	ECNO	DSGN
TRAN	NUMBER			SIZE	REV				CODE	CODE			
2857	2048	PL	PWBA-DR CONTROL I	D	A	2	EA	2-7045-000	2	ECN	10723	027	

TRAN	ITEM	DT	DRN	PART/DOC	DRN	ISSUE	DOC	DESCRIPTION	QUANTITY	UON	ECT	ECNO
			REV	NUMBER	REV		CODE					
	15		S	2205 6196		1	999 0	IC,13X1K RES	1.00	EA		
***** ADDITIONS AND DELETES SINCE LAST ISSUE*****												
C	13		D	2161 7287	E	1	1 4	SCHEM-DR CONTROL I	0.00	RF	ECN 10723	
***** LAST LINE *****												

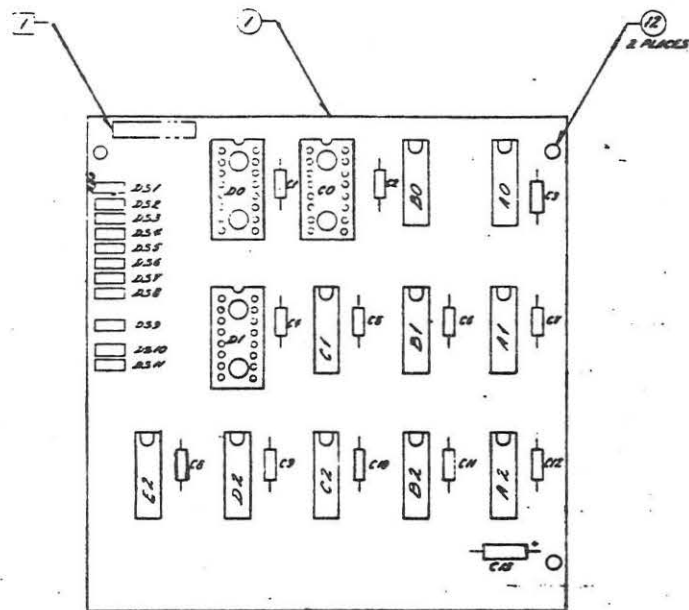
PAGE 2

ASSEMBLY 2857 2048 ISSUE 2

207

REVISION
 FORM NO. 101 101 101 101 101 101
 A. RECORDS GROUP (U) 101 101 101 101
 INITIAL RELEASE AUTHORITY

REF. DESIGNATION TABLE	
ITEM NO.	REF. DESIGNATION OR LOCATION
1	CO, DO, DI
2	CS, DS, ES
3	BI, CI
4	BI
5	BS
6	BO
7	AO
8	AI
9	DSI TRAU DSR
10	CI TRAU CIR
11	CIS
12	BO



3. SEE ITEM 14 ON P/L FOR PERFORMANCE SPEC.

2. SEE ITEM 13 ON P/L FOR SCHEMATIC.

MARK ASSY NO. AND ISSUE LEVEL, APPROX WHERE SHOWN, IN JK MARK GOING CHARACTERS USING BLACK STENCIL INK.

NOTES: UNLESS OTHERWISE SPECIFIED

SEE P/L

Burroughs

PERIPHERAL PRODUCTS GROUP
 QUACKENBUSH PLANT

CLASS CT-1
 PWBDA DATIVE CONTROL / 3-FOVS

2857 2048

ENGINEERING PARTS LIST REPORT

LAST CHANGE: 20 Sep, 1979

PRINTED: 20 Sep, 1979

TRAN NUMBER	PART/DOC	DT	DESCRIPTION	DRW SIZE	DRW REV	ISSUE	UOM	CLASS CODE	DOC CODE	ECT	ECNO	DSGN CNTL
2857 2410	FL PWBA-DR CONTROL 2			D	A	2	EA	2-7045-000	2	ECN	10974	829

TRAN ITEM	DT	DRW SIZE	PART/DOC NUMBER	CFM REV	ISSUE IN	DOC OUT CODE	DESCRIPTION	QUANTITY	UOM	ECT	ECNO
1	PL	D	2857 2162		1 999	2	PWB-DRIVE CNTRL 2	1.00	EA		
2			1449 1039		1 999	0	IC,8PIN S TIMER 555	2.00	EA		
3		A	1447 3698		1 999	0	IC EXCLVE OR 7486	1.00	EA		
4	S	A	2607 1795		1 999	0	I.C.,74LS02	1.00	EA		
5	S	A	2608 6306		1 999	0	I.C.,74LS251	3.00	EA		
6		S	1446 7245		1 999	0	DIODE, 1N4448	1.00	EA		
7		S	2300 5697		2 999	0	CAP. .01 MF	2.00	EA	ECN	10974
8		S	2300 5879		1 999	0	CAP. 0.1 UF 50V	8.00	EA		
9		ST	1267 9031		1 999	0	CAP-1 UF 20%35V	1.00	EA		
10		S	1101 5195		1 999	0	CAP,.68 UF 5%35V	1.00	EA		
11		S	1267 9106		1 999	0	CAP 4.7UF 10V	1.00	EA		
12		S	1111 8734		1 999	0	RBS, 1K 1/4W 2%	3.00	EA		
13		S	1111 8973		1 999	0	RBS,10K 2%,1/4W	3.00	EA		
14		S	1627 2486		1 999	0	IC, COUNTER 74193	1.00	EA		

PAGE 1

ASSEMBLY 2857 2410 ISSUE 2

209

ENGINEERING PARTS LIST REPORT

LAST CHANGE: 20 Sep, 1979

PRINTED: 20 Sep, 1979

TRAN NUMBER	PART/DOC	DT	DESCRIPTION	DRW SIZE	DRW REV	ISSUE	UOM	CLASS CODE	DOC CODE	ECT	ECNO	DSGN CNTL
2857 2410	FL PWBA-DR CONTROL 2			D	A	2	EA	2-7045-000	2	ECN	10974	829

TRAN ITEM	DT	DRW SIZE	PART/DOC NUMBER	CFM REV	ISSUE IN	DOC OUT CODE	DESCRIPTION	QUANTITY	UOM	ECT	ECNO
15	S	A	1265 6971		1 999	0	RES,1.5M, 1/4W, 5%	1.00	EA		
16			1265 7573		1 999	0	RES,10 MEG 1/4W	1.00	EA		
17		A	2205 4837		1 999	0	SWITCH,TOGGLE SPDT	1.00	EA		
18	S	A	2205 8630		1 999	0	SWITCH,ON/OFF-ON	1.00	EA		
19	S	A	2219 1449		1 999	0	SWITCH, PUSHBUTTON	1.00	EA		
20		B	2857 1636		1 999	0	SPACER, MOD	2.00	EA		
21		D	2857 2428	A	1 999	4	SCHEM-DR CONTROL 2	0.00	RF		
22		A	2162 1842	A	1 999	3	SPS-DR CONTROL	0.00	RF		
23	S	A	2607 1787		1 999	0	I.C.-74LS00	1.00	EA		
24		ST	1447 3607		1 999	0	IC,DUAL D FF 7474	1.00	EA		
25		S	1447 3516		1 999	0	IC, NAND GATE 7400	1.00	EA		

***** ADDITIONS AND DELETES SINCE LAST ISSUE *****

C	7	S	2300 5697		1 1	0	CAP. .01 MF	3.00	EA	ECN	10974
---	---	---	-----------	--	-----	---	-------------	------	----	-----	-------

***** LAST LINE *****

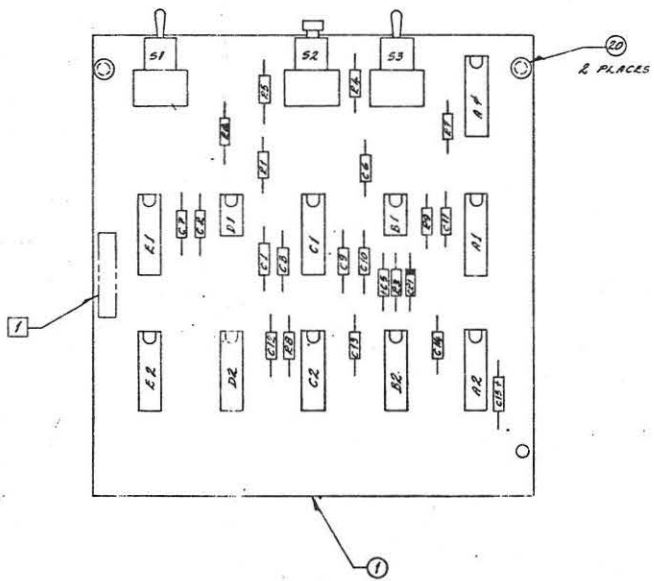
PAGE 2

ASSEMBLY 2857 2410 ISSUE 2

210

REV. CONF. 2.7.74
 A. 2.7.74
 INITIAL RELEASE 11-25-89

REF. DESIGNATION TABLE	
ITEM NO.	REF. DESIGNATION OR LOCATION
2	B1, D1
3	C1
4	C1
5	D4, C8, D8
6	C6, I
7	C8, C6
8	C7, C8, C9, C10, C11, C12, C13, C14
9	C5
10	C1
11	C10
12	E7, E8, E9
13	E4, E5, E6
14	A1
15	E3
16	E1
17	E5
18	E1
19	E4
23	A7
24	E2
25	A2



3- SEE ITEM 22 ON P/A FOR PERFORMANCE SPEL
 2- SEE ITEM 21 ON P/A FOR SCHEMATIC
 1- AMPL. BODY NO. AND ISSUE LEVEL, APPROX WHERE SHOWN
 IN .12 HIGH GOING CHARACTERS USING,
 BLACK STENCIL INK
 NOTES: UNLESS OTHERWISE SPECIFIED

PWSA DEIVE COUTEAL 11 2-704
 D 2857 2410

ENGINEERING PARTS LIST REPORT

*** LAST CHANGE: 15 Feb, 1979

PRINTED: 15 Feb, 1979

PART/DOC TRAN NUMBER	DT	DESCRIPTION	DRW SIZE	DRW REV	ISSUE	UOM	CLASS CODE	DOC CODE	ECT	ECNO	DSGN CNTL
2162 1800	FL	PWBA-DR CONTROL 3	D	B	8	EA	2-7045-000	2	ECN	10884	027

TRAN ITEM	DT	DRW SIZE	PART/DOC NUMBER	DRW REV	ISSUE IN	DOC OUT CODE	DESCRIPTION	QUANTITY	UOM	ECT	ECNO
1	PL	D	2162 1818		1 999	2	PWB-DR CONTROL III	1.00	EA		
2	S	A	2607 1787		1 999	0	I.C.-74LS00	2.00	EA		
3	S	A	2607 1803		1 999	0	I C-74LS04	1.00	EA		
4	S	A	1269 7769		1 999	0	I.C.-74LS133	1.00	EA		
5	S	A	2608 6298		1 999	0	I.C.-74LS174	2.00	EA		
6	S		2155 9646		1 999	0	LAMP,LED	12.00	EA		
7	S		2300 5879		1 999	0	CAP 0.1 UF 50V	6.00	EA		
8	S		1267 9106		1 999	0	CAP 4.7UF 10V	1.00	EA		
9	S		1111 8734		1 999	0	RES, 1K 1/4W 2%	1.00	EA		
10	S		1111 8973		1 999	0	RES,10K 2%,1/4W	1.00	EA		
11	B		2857 1636		4 999	0	SPACER,MOD	2.00	EA	ECN	10545
12	D		2162 1834	F	8 999	4	SCHEM,DR CONTROL 3	0.00	RF	ECN	10884
13	A		2162 1842	A	1 999	3	SPS-DR CONTROL	0.00	PF	ECN	62743

PAGE 1

ASSEMBLY 2162 1800 ISSUE 8

212

ENGINEERING PARTS LIST REPORT

*** LAST CHANGE: 15 Feb, 1979

PRINTED: 15 Feb, 1979

PART/DOC TRAN NUMBER	DT	DESCRIPTION	DRW SIZE	DRW REV	ISSUE	UOM	CLASS CODE	DOC CODE	ECT	ECNO	DSGN CNTL
2162 1800	FL	PWBA-DR CONTROL 3	D	B	8	EA	2-7045-000	2	ECN	10884	027

TRAN ITEM	DT	DRW SIZE	PART/DOC NUMBER	DRW REV	ISSUE IN	DOC OUT CODE	DESCRIPTION	QUANTITY	UOM	ECT	ECNO
14	S		1111 8924		5 999	0	RES, 6.19K 1/4W 2%	1.00	EA	ECN	10562

***** ADDITIONS AND DELETES SINCE LAST ISSUE *****

C	D	D	2162 1834	E	7	7	4	SCHEM,DR CONTROL 3	0.00	RF	ECN	10884
---	---	---	-----------	---	---	---	---	--------------------	------	----	-----	-------

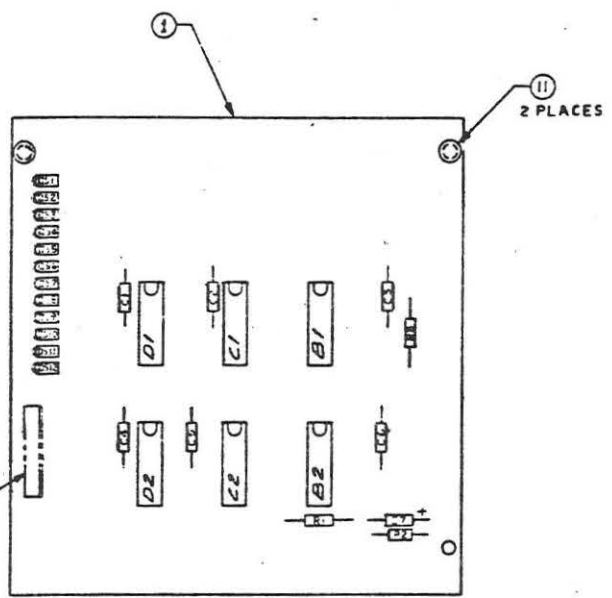
***** LAST LINE *****

2/3

2162 1800 1 10-61
FWBA - DRIVE CONTROL

8 | 7 | 6 | 5 | 4 | 3 | 2 | 1

REF. DESIGNATION TABLE	
ITEM NO.	REF. DESIGNATION OR LOCATION
2	R2, C1
3	C2
4	B1
5	D1, D2
6	D3, D32, D33, D24, D35 D16, D37, D38, D39, D40 D51, D52
7	C1, C2, C3, C4, C5, C6
8	C7
9	R2
10	R1
14	R2



- 3. SEE ITEM 13 ON P/L FOR PERFORMANCE SPEC.
- 2. SEE ITEM 12 ON P/L FOR SCHEMATIC.
- 1 MARK ASSY NO. AND ISSUE LEVEL, APPROX. WHERE SHOWN, IN .12 HIGH GOTHIC CHARACTERS USING BLACK STENCIL INK.

NOTES: UNLESS OTHERWISE SPECIFIED

SEE P/L

TOLERANCES UNLESS OTHERWISE SPECIFIED: DIMENSIONS .0005 ANGLES .010		Burrage Corporation	
MATERIAL: STEEL		MATERIAL: STEEL	
FINISH/TREATMENT: POLISHED		FINISH/TREATMENT: POLISHED	
TITLES: 2162 1800 1		TITLE: FWBA DRIVE CONTROL	
SCALE: 2 TO 1		SCALE: 2 TO 1	
PART NO.: 2162 1800		PART NO.: 2162 1800	
REV: 1		REV: 1	

8 | 7 | 6 | 5 | 4 | 3 | 2 | 1

214

ENGINEERING PARTS LIST REPORT

*** LAST CHANGE: 14 Jul, 1978

PRINTED: 14 Jul, 1978

TRAN NUMBER	PART/DOC	DT	DESCRIPTION	DRM SIZE	DRM REV	ISSUE	UOM	CLASS CODE	DOC CODE	ECT	ECNO	DSGN CNTL
2161 7345	PL		PNBA-SVO PREAMP	D		A 4	EA	2-7C45-00C	2	ECN	10723	027

TRAN ITEM	DT	DRM SIZE	PART/DOC NUMBER	DRM REV	ISSUE IN	DOC OUT	DESCRIPTION	QUANTITY	UOM	ECT	ECNO
1	PL	D	2161 7352		1 999	2	PWB-SERVO PREAMP	1.00	EA		
2	S		1907 7726		1 999	0	PKG-8P ANPL 747	3.00	EA		
3			1269 7215		1 999	0	DAC 8-BIT 1408L-6	3.00	EA		
4			2160 5126		1 999	0	TX,HHQ2907QUAD PNP	1.00	EA		
5	S		1446 7245		1 999	0	DICDE,1K4448	5.00	EA		
6	S		1446 7187		1 999	0	TRANS,2N2907A	1.00	EA		
7	S		1635 2924		1 999	0	TSTR,TYPE 2N4221	1.00	EA		
8	S		2300 5697		1 999	0	CAP, .01 RF	12.00	EA		
9	ST		1267 9031		1 999	0	CAP-1 WF 20X35V	3.00	EA		
10	S		1269 5342		1 999	0	CAP CER 100PF	3.00	EA		
11	S		2300 5572		2 999	0	CAP,1600PF 20X50V	1.00	EA		
12	S		1111 8668		1 999	0	RES,510 1/4W 2X	1.00	EA		
13	S		1111 8676		1 999	0	RES,562 2X 1/4W	1.00	EA		
14	S		1111 8700		1 999	0	RES,750 2X 1/4W	1.00	EA		

PAGE 1

ASSEMBLY 2161 7345 ISSUE 4

215

ENGINEERING PARTS LIST REPORT

*** LAST CHANGE: 14 Jul, 1978

PRINTED: 14 Jul, 1978

TRAN NUMBER	PART/DOC	CT	DESCRIPTION	DRM SIZE	DRM REV	ISSUE	UOM	CLASS CODE	DOC CODE	ECT	ECNO	DSGN CNTL
2161 7345	PL		PNBA-SVO PREAMP	D		A 4	EA	2-7C45-00C	2	ECN	10723	027

TRAN ITEM	DT	DRM SIZE	PART/DOC NUMBER	DRM REV	ISSUE IN	DOC OUT	DESCRIPTION	QUANTITY	UOM	ECT	ECNO
15	S		1111 8718		1 999	0	RES-825 2X 1/4W	1.00	EA		
16	S		1111 8726		1 999	0	RES,989 2X 1/4W	1.00	EA		
17	S		1111 8734		1 999	0	RES, 1K 1/4W 2X	6.00	EA		
18	S		1111 8759		1 999	0	RES,1.21K 2X 1/4W	3.00	EA		
19	S		1111 8775		1 999	0	RES,1.47K 2X 1/4W	1.00	EA		
20	S		1111 8908		1 999	0	RES,511C 2X,1/4W	1.00	EA		
21	S		1111 8924		1 999	0	RES,6.19K 2X 1/4W	5.00	EA		
22	S		1111 8940		1 999	0	RES,7.5K 2X 1/4W	2.00	EA		
23	S		1111 8973		1 999	0	RES,10K 2X,1/4W	5.00	EA		
24	S		1111 8981		1 999	0	RES,11K 2X 1/4W	1.00	EA		
25	S		1111 9070		1 999	0	RES-26.1K 2X 1/4W	1.00	EA		
26	S		1111 9104		1 999	0	RES-34.8K 2X1/4W	4.00	EA		
27	S		1111 9211		1 999	0	RES,100K 1/4W 2X	1.00	EA		
28	A		1447 1734		1 999	0	POST-WGD 2	6.00	EA		

PAGE 2

ASSEMBLY 2161 7345 ISSUE 4

216

ENGINEERING PARTS LIST REPORT

*** LAST CHANGE: 14 Jul, 1978

PRINTED: 14 Jul, 1978

PART/DOC TRAN NUMBER	DT	DESCRIPTION	DRN SIZE	DRN REV	ISSUE	UOM	CLASS CODE	DOC CODE	ECT	ECNO	OSGN CNTL
2161 7345	PL	PNBA-SVO PREAMP	B		A	4	EA 2-7045-000	2	ECN	10723	027

TRAN ITEM	DT	DRN SIZE	PART/DOC NUMBER	DRN REV	ISSUE IA	DOC OUT CODE	DESCRIPTION	QUANTITY	UOM	ECT	ECNO
29	B		2857 1636		3	999 8	SPACER,NOB	2.00	EA	ECN	10545
30	D		2161 7360	C	4	999 4	SCHM-SVO PREAMP	0.00	RF	ECN	10723
31	A		2162 2758		1	999 4	SPS-SERVO PREAMP	0.00	RF		
32	S		2300 5879		1	999 8	CAP 0.1 UF 50V	1.00	EA		

*****ADDITIONS AND DELETES SINCE LAST ISSUE*****

C	30	D	2161 7360	B	1	3 4	SCHM-SVO PREAMP	0.00	RF	ECN	10723
---	----	---	-----------	---	---	-----	-----------------	------	----	-----	-------

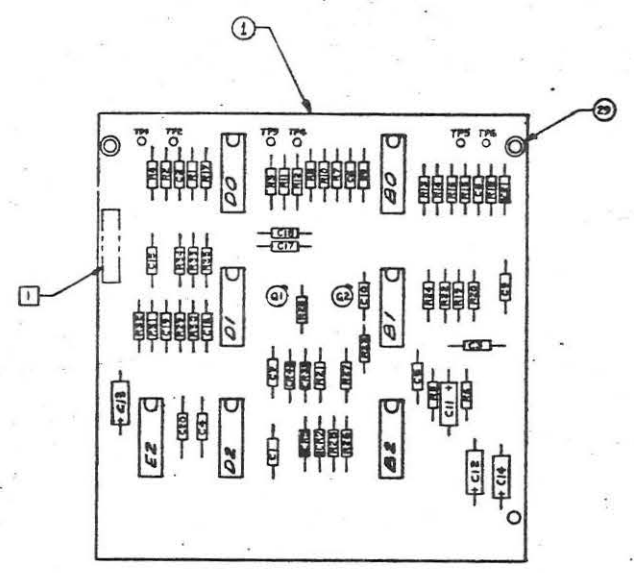
*****LAST LINE*****

D 2161 7345 A 1001
Pwba-Servo Preamp

1 of 1 SHEET
SP741912 USE 848

REVISION			
REV	CDT	BY	CH APPR DATE
A	FE-62439	S.E.	12/2/55

REF. DESIGNATION TABLE	
ITEM NO.	REF. DESIGNATION OR LOCATION
2	B1, D0, D1
3	B2, D2, E2
4	B0
5	C1, C2, C3, C4, C5, C6, C7, C8, C9, C10, C15
6	Q1
7	Q2
8	C1, C2, C3, C4, C6, C9, C10, C15
9	C16, C17, C18, C19
9	C11, C12, C13
10	C5, C7, C20
11	R8
12	R25
13	R23
14	R6
15	R16
16	R5
17	R3, R12, R20, R26, R31, R34
18	R4, R14, R22
19	R9
20	R7
21	R8, R11, R17, R33, R35
22	R13, R27
23	R1, R2, R15, R29, R30
24	R10
25	R18
26	R19, R22, R24, R28
27	R21
28	TP1 THRU TP6
32	C14



- 3. SEE ITEM 31 ON P/L FOR PERFORMANCE SPEC.
- 2. SEE ITEM 30 ON P/L FOR SCHEMATIC.
- 1 MARK ASSY NO. AND ISSUE LEVEL, APPROX WHERE SHOWN, IN .12 HIGH GOTHIC CHARACTERS USING BLACK STENCIL INK.

NOTES: UNLESS OTHERWISE SPECIFIED

SEE P/L

VOLTA/GEORGE BUSHNELL DIVISION		BARTHOLOMEW CORPORATION	
303	3102	3102	3102
REVISION	DATE	REVISION	DATE
TITLE		SCALE	
PWBA SERVO PREAMP		2701	
21617345		A	