

CD-G Decoder

Description

The CXD1807Q has functions to decode CD-G commands written in the CD subcode and write them into the DRAM to display them. It also has a built-in RGB 4-bit D/A converter. By adding 256K bits of DRAM and a video encoder, a CD graphics system can be configured.

Functions

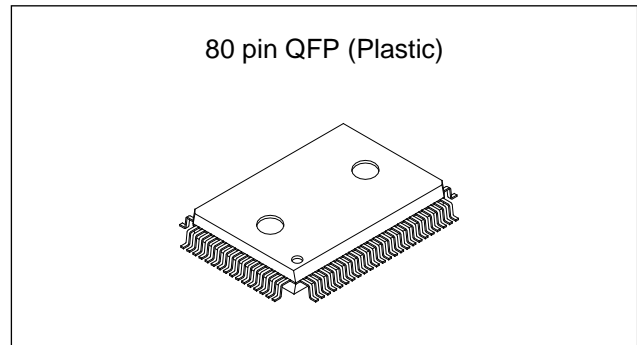
- Real-time correction of subcode errors
- Powerful protection circuit for subcode synchronization
- RAM for color look-up table
- Compatible with both NTSC and PAL
- 4-bit DAC for RGB
- 80-pin QFP

Applications

CD-G decoder

Structure

Silicon gate CMOS IC



Absolute Maximum Ratings (Ta = 25°C)

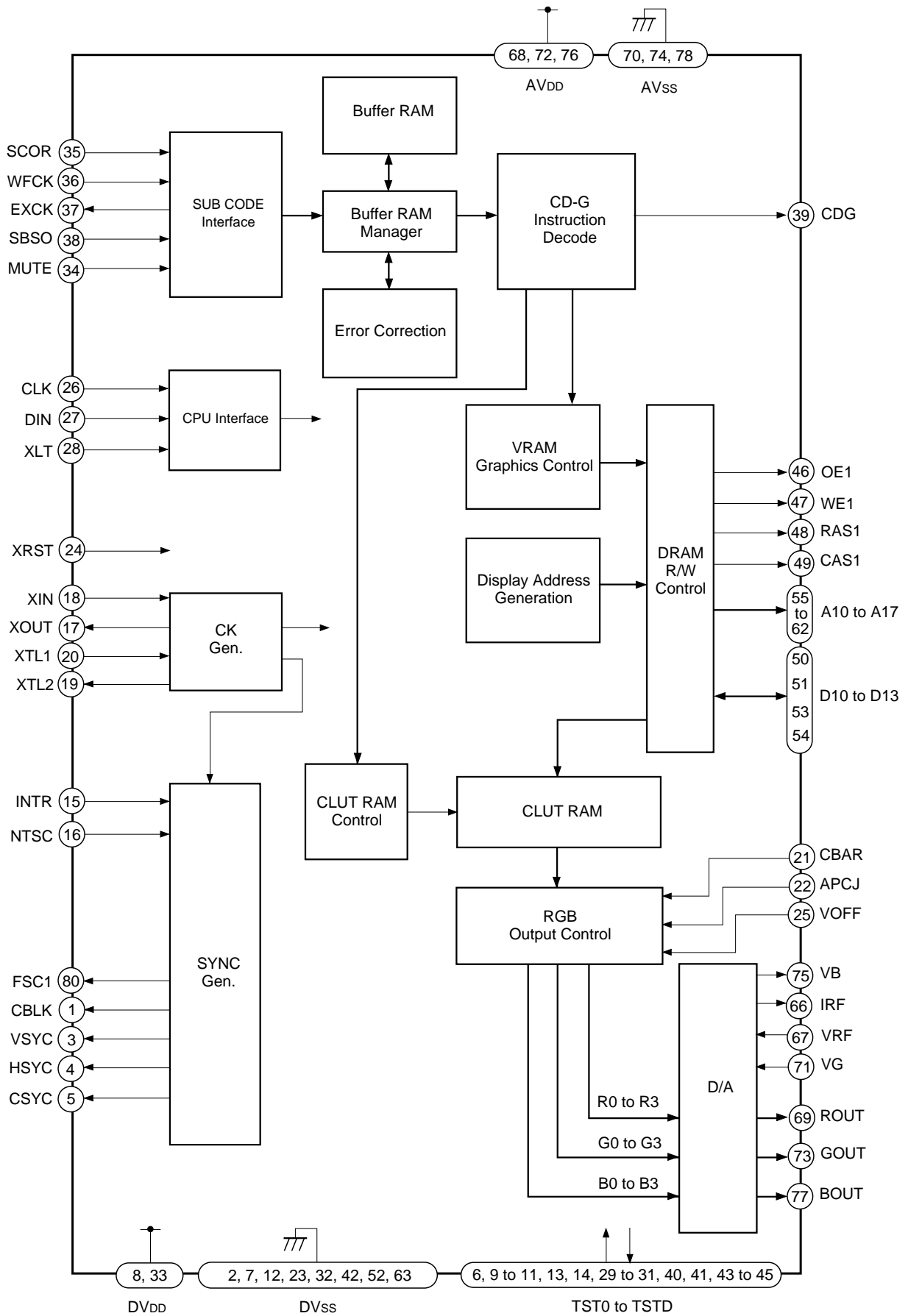
• Supply voltage	V _{DD}	V _{SS} -0.5 to +7.0	V
• Input voltage	V _I	V _{SS} -0.5 to V _{DD} +0.5	V
• Output voltage	V _O	V _{SS} -0.5 to V _{DD} +0.5	V
• Operating temperature	T _{opr}	-20 to +75	°C
• Storage temperature	T _{stg}	-55 to +150	°C

Recommended Operating Conditions

• Supply voltage	DV _{DD}	5±0.5	V
	AV _{DD}	5±0.5	V
• Ambient temperature	T _a	-20 to +75	°C

Sony reserves the right to change products and specifications without prior notice. This information does not convey any license by any implication or otherwise under any patents or other right. Application circuits shown, if any, are typical examples illustrating the operation of the devices. Sony cannot assume responsibility for any problems arising out of the use of these circuits.

Block Diagram



Pin Description

Pin No.	Symbol	I/O	Description
1	CBLK	O	Composite blanking signal; negative logic
2	DVss	—	Digital ground
3	VSYC	O	Vertical sync signal; negative logic
4	HSYC	O	Horizontal sync signal; negative logic
5	CSYC	O	Composite sync signal; negative logic
6	TST8	O	Test pin
7	DVss	—	Digital ground
8	DVDD	—	Digital power supply
9	TST9	O	Test pin
10	TST4	I	Test pin
11	TST5	I	Test pin
12	DVss	—	Digital ground
13	TST6	I	Test pin
14	TST7	I	Test pin
15	INTR	I	Interlace/non-interlace (High/Low) switching signal
16	NTSC	I	NTSC/PAL (High/Low) select signal
17	XOUT	O	14.31818MHz (NTSC 4fsc) crystal oscillator circuit output
18	XIN	I	14.31818MHz (NTSC 4fsc) crystal oscillator circuit input
19	XTL2	O	17.734475MHz (PAL 4fsc) crystal oscillator circuit output
20	XTL1	I	17.734475MHz (PAL 4fsc) crystal oscillator circuit input
21	CBAR	I	Color bar output select signal; positive logic
22	APCJ	I	APC-adjusting input signal; positive logic
23	DVss	—	Digital ground
24	XRST	I	Reset input signal; negative logic
25	VOFF	I	R, G, B output mute select signal; positive logic
26	CLK	I	Data write clock signal from CPU
27	DIN	I	Serial data input signal from CPU
28	XLT	I	Data latch signal from CPU
29	TSTA	O	Test pin
30	TSTB	O	Test pin
31	TSTC	O	Test pin
32	DVss	—	Digital ground
33	DVDD	—	Digital power supply
34	MUTE	I	Subcode data mute signal; positive logic

Pin No.	Symbol	I/O	Description
35	SCOR	I	Subcode sync signal from CD DSP; positive logic
36	WFCK	I	Write frame clock signal from CD DSP
37	EXCK	O	Subcode data readout clock signal to CD DSP
38	SBSO	I	Subcode data P to W serial input signal from CD DSP
39	CDG	O	Disc identification signal
40	TSTD	O	Test pin
41	TST3	I	Test pin
42	DVss	—	Digital ground
43	TST2	I	Test pin
44	TST1	I	Test pin
45	TST0	I	Test pin
46	OE1	O	DRAM output enable signal; negative logic
47	WE1	O	DRAM write enable signal; negative logic
48	RAS1	O	DRAM row address strobe signal; negative logic
49	CAS1	O	DRAM column address strobe signal; negative logic
50	D10	I/O	DRAM data bus (LSB)
51	D11	I/O	DRAM data bus
52	DVss	—	Digital ground
53	D12	I/O	DRAM data bus
54	D13	I/O	DRAM data bus (MSB)
55	A10	O	DRAM address (LSB)
56	A11	O	DRAM address
57	A12	O	DRAM address
58	A13	O	DRAM address
59	A14	O	DRAM address
60	A15	O	DRAM address
61	A16	O	DRAM address
62	A17	O	DRAM address (MSB)
63	DVss	—	Digital ground
64	N.C.	—	
65	N.C.	—	
66	IRF	O	Connect a resistance 15 times the output resistance.
67	VRF	I	Sets the full-scale value of RGB output signal.
68	AVDD1	—	Analog power supply for R channel/DA converter
69	ROUT	O	Analog red signal output
70	AVss1	—	Analog ground for R channel/DA converter
71	VG	I	Connect a power supply through an approximately 0.1 μ F capacitor.

Pin No.	Sumbol	I/O	Description
72	AV _{DD2}	—	Analog power supply for G channel/DA converter
73	GOUT	O	Analog green signal output
74	AV _{SS2}	—	Analog ground for G channel/DA converter
75	VB	O	Connect GND through an approximately 0.1 μ F capacitor.
76	AV _{DD3}	—	Analog power supply for B channel/DA converter
77	BOUT	O	Analog blue signal output
78	AV _{SS3}	—	Analog ground for B channel/DA converter
79	N.C.	—	
80	FSC1	O	3.58MHz (NTSC), 4.43MHz (PAL) clock output (sub carrier clock signal)

Electrical Characteristics

1. DC Characteristics

(V_{DD} = 5V±10%, V_{SS} = 0V, Topr = -20 to +75°C)

Item	Symbol	Conditions	Min.	Typ.	Max.	Unit
Supply current	I _{DD}	Operating state			100	mA
High level input voltage (1)	V _{IH1}		2.2			V
Low level input voltage (1)	V _{IL1}				0.8	V
High level input voltage (2)	V _{IH2}		0.7V _{DD}			V
Low level input voltage (2)	V _{IL2}				0.3V _{DD}	V
High level input voltage (3)	V _{t1+}		2.2			V
Low level input voltage (3)	V _{t1-}				0.8	V
TTL Schmitt hysteresis	V _{t1+} - V _{t1-}			0.4		V
High level input voltage (4)	V _{t2+}		0.8V _{DD}			V
Low level input voltage (4)	V _{t2-}				0.2V _{DD}	V
CMOS Schmitt hysteresis	V _{t2+} - V _{t2-}			0.6		V
Input current of pull-up input (5)	I _{IN}	V _{IN} = 0V	-40	-100	-240	μA
High level output voltage (6)	V _{OH1}	I _{OH1} = -2mA	V _{DD} -0.8			V
Low level output voltage (6)	V _{OL1}	I _{OL1} = 4mA			0.4	V
High level output voltage (7)	V _{OH2}	I _{OH1} = -4mA	V _{DD} -0.8			V
Low level output voltage (7)	V _{OL2}	I _{OL1} = 8mA			0.4	V
High level output voltage (8)	V _{OH3}	I _{OH1} = -6mA	V _{DD} -0.8			V
Low level output voltage (8)	V _{OL3}	I _{OL1} = 4mA			0.4	V
Input leak current	I _{IL1}		-10		10	μA
Oscillation cell logic threshold	LV _{th}			0.5V _{DD}		V
Oscillation cell high level input voltage	V _{IH}		0.7V _{DD}			V
Oscillation cell low level input voltage	V _{IL}				0.3V _{DD}	V
Oscillation cell feedback resistance	R _{FB}	V _{IN} = V _{SS} or V _{DD}	250k	1M	2.5M	Ω
Oscillation cell high level output voltage	V _{OH}	I _{OH} = -3mA	0.5V _{DD}			V
Oscillation cell low level output voltage	V _{OL}	I _{OL} = 3mA			0.5V _{DD}	V

1-1. Classification of input pins

- (1) TTL level input:
DIN, XLT, D10 to D13
- (2) CMOS level input:
INTR, NTSC, SCOR, SBSO, MUTE, APCJ, VOFF, CBAR, TST0 to TST7
- (3) TTL Schmitt input:
CLK
- (4) CMOS Schmitt input:
XRST, WFCK
- (5) Pull-up input:
D10 to D13

1-2. Classification of output pins

- (6) Normal output:
FSC1, CBLK, VSYC, HSYC, CSYC, A10 to A17, D10 to D13, OE1, WE1, EXCK, TST8 to TSTD
- (7) Powered output:
CDG
- (8) Proportional output:
RAS1, CAS1

1-3. Oscillation cell

Input : XIN, XTL1
Output : XOUT, XTL2

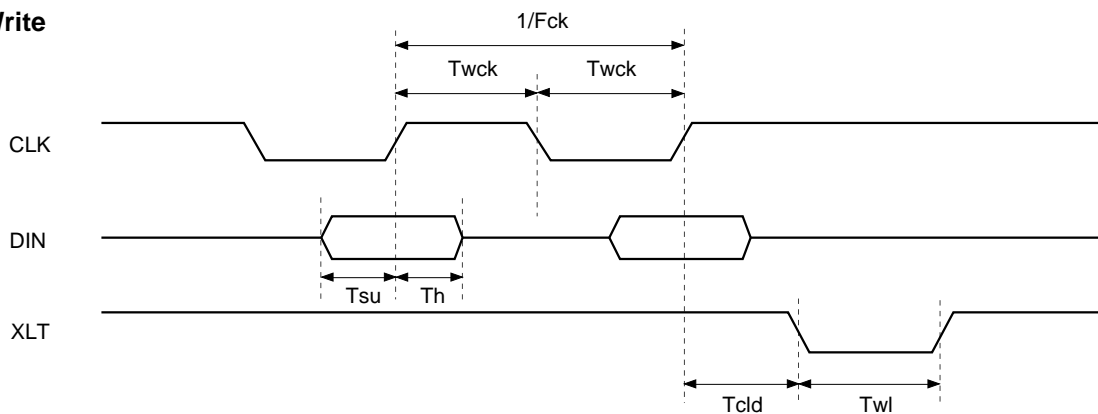
1-4. I/O pin capacitances ($V_{DD} = V_I = 0V, f = 1MHz$)

Item	Symbol	Min.	Typ.	Max.	Unit
Input pin	C _{IN}			9	pF
Output pin	C _{OUT}			11	pF
Input/output pin	C _{I/O}			11	pF

2. AC Characteristics ($V_{DD} = 5V \pm 10\%, V_{SS} = 0V, T_{opr} = -20$ to $+75^\circ C, Output Load = 75pF$)

2-1. CPU interface

(1) Write

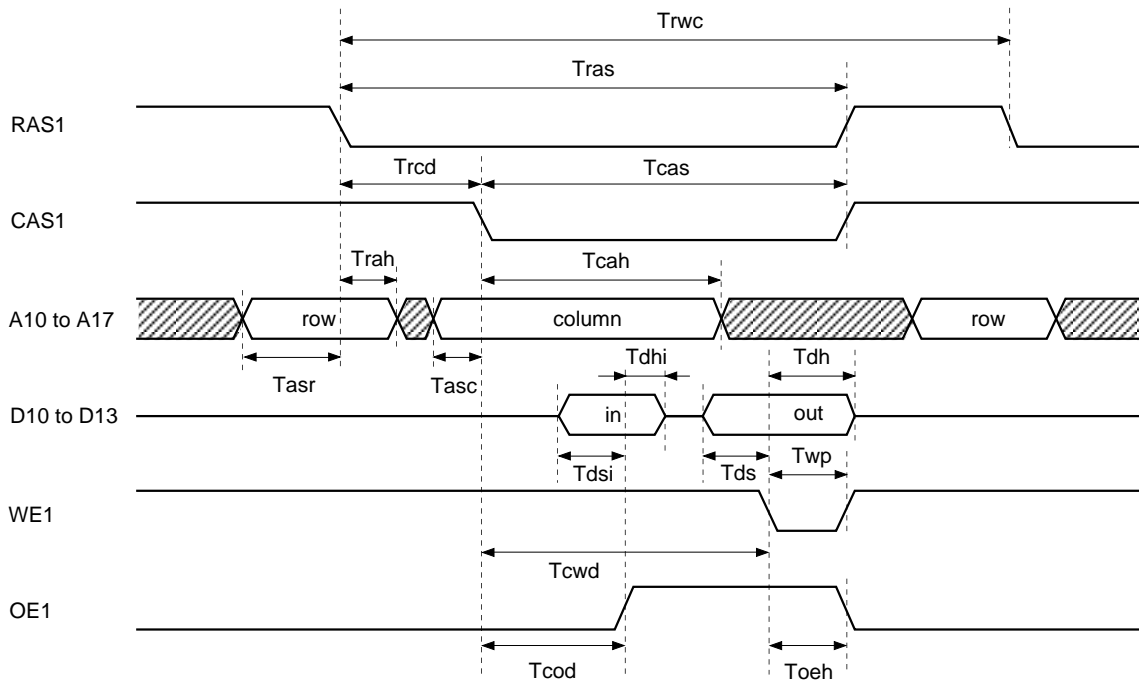


Item	Symbol	Min.	Typ.	Max.	Unit
Clock frequency	F _{ck}			0.65	MHz
Clock pulse width	Tw _{ck}	750			ns
Setup time (for CLK ↑)	T _{su}	300			ns
Hold time (for CLK ↑)	T _h	300			ns
CLK – XLT delay time	T _{cld}	300			ns
Latch pulse width	T _{wl}	750			ns

($T_w = 1/f$, f: master clock frequency)

Item	Symbol	Min.	Typ.	Max.	Unit
RAS pulse width	Tras	$3T_w - 10$			ns
RAS precharge width	Trp		$2T_w$		ns
RAS – CAS delay time	Trcd		$2T_w$		ns
CAS pulse width	Tcas		T_w		ns
Page mode cycle time	Tpc		$2T_w$		ns
Row address setup time (for RAS, ↓)	Tasr	$2T_w - 45$			ns
Row address hold time (for RAS, ↓)	Trah	$T_w - 15$			ns
Column address setup time (for CAS, ↓)	Tasc	$T_w - 35$			ns
Column address hold time (for CAS, ↓)	Tcah	T_w			ns
Data input delay time (for CAS, ↓)	Tddc			$T_w - 10$	ns
Data float time (relative to CAS, ↑)	Tdhc	10			ns
Data output setup time (for CAS, ↓)	Tds	$T_w - 50$			ns
Data output hold time (for CAS, ↓)	Tdh	$T_w - 15$			ns
Data output delay time (for OE, ↑)	Todd	T_w			ns

(3) Read modify write



(Tw = 1/f, f: master clock frequency)

Item	Symbol	Min.	Typ.	Max.	Unit
RAS pulse width	Tras		7Tw		ns
Read/write cycle	Trwc		9Tw		ns
RAS-CAS delay time	Trcd		2Tw		ns
CAS pulse width	Tcas		5Tw		ns
CAS-WE delay time	Tc wd		4Tw		ns
WE pulse width	Twp		Tw		ns
OE hold time (for WE ↓)	Toeh		Tw		ns
CAS-OE delay time	Tcod		2Tw		ns
Row address setup time (for RAS ↓)	Tasr	2Tw – 45			ns
Row address hold time (for RAS ↓)	Trah	Tw – 15			ns
Column address setup time (for CAS ↓)	Tasc	Tw – 35			ns
Column address hold time (for CAS ↓)	Tcah	5Tw			ns
Data input setup time (for OE ↑)	Tdsi	35			ns
Data input hold time (for OE ↑)	Tdhi	0			ns
Data output setup time (for WE ↓)	Tds	Tw – 50			ns
Data output hold time (for WE ↓)	Tdh	Tw – 15			ns

3. Built-in DAC Characteristics

Recommended operating conditions

Item	Symbol	Ratings	Unit
Supply voltage	AVDD1, AVDD2, AVDD3	4.5 to 5.5	V
Reference input voltage	VRF	0.5 to 2.0	V

Electrical characteristics

(VDD = 5V, VRF = 2V, R = 200Ω, Ta = 25°C)

Item	Symbol	Conditions	Min.	Typ.	Max.	Unit
Resolution	n			4		bit
Differential linearity error	ED		-0.5		+0.5	LSB
Integral linearity error	EL		-1.0		+1.0	LSB
Full-scale output voltage	VFS		1.9	2.0	2.1	V
Full-scale output current	IFS			10	15	mA
Assured precision output voltage range	Voc		0.5	2.0	2.1	V

Description of Functions

1. Pin Description

1-1. Subcode data interface

Inputs subcode data and subcode sync detection signals using the following pins. These pins can be directly connected to Sony signal processing LSI for CD.

- 1) SCOR
Inputs the signal that indicates detection of either subcode sync S0 or S1. Connect this pin to the SCOR pin of CD DSP.
- 2) WFCK
Inputs WFCK (Write Frame Clock). Connect this pin to the WFCK pin of CD DSP.
- 3) EXCK
Outputs the clock to read data from the SBSO pin. Connect this pin to the EXCK pin of CD DSP.
- 4) SBSO
Serially inputs the subcode data P to W. Connect this pin to the SBSO pin of CD DSP.
- 5) MUTE
Inputs the signal to mute subcode data inputs. This pin is in the mute state when High signal is input.

1-2. CPU interface

Inputs data and sends commands to the CXD1807Q using the following pins.

- 1) CLK
Inputs the clock to input serial data from the external CPU.
- 2) DIN
Inputs serial data from the external CPU.
- 3) XLT
Inputs the signal to latch serial data from the external CPU. The pin latches serial data at the falling edge of this signal.

1-3. DRAM interface

The screen data are stored in the external DRAM. The DRAM read/write function is controlled using the following pins. Use a 64K × 4-bit DRAM with an access time of 100ns or less.

- 1) RAS1
Indicates the row address is effective. Connect this pin to the RAS pin of the external DRAM.
- 2) CAS1
Indicates the column address is effective. Connect this pin to the CAS pin of the external DRAM.
- 3) A10 to A17 (8 pins)
Outputs DRAM addresses. Connect these pins to the A0 to A7 pins of the external DRAM, respectively.
- 4) D10 to D13 (4 pins)
Inputs and outputs DRAM data. Connect these pins to the D0 to D3 pins of the external DRAM, respectively.
- 5) WE1
Outputs the write enable signal of DRAM. Connect this pin to the WE pin of the external DRAM.
- 6) OE1
Outputs the output enable signal of DRAM. Connect this pin to the OE pin of the external DRAM.

1-4. Sync signal generation

Various sync signals are output from the following pins by dividing the clock frequency.

- 1) INTR
Switches either interlace or non-interlace to display the image. The interlace display selected for High.
- 2) NTSC
Inputs the signal for selecting either NTSC or PAL mode to output the sync signal. The NTSC mode selected for High.
- 3) FSC1
Outputs the signal with a quarter frequency of clock input to the XIN pin (NTSC) or to the XTL1 pin (PAL). This signal has the same frequency as the color signal subcarrier.
- 4) CBLK
Outputs the composite blanking signal. Switched to Low during the blanking period.
- 5) VSYC
Outputs the vertical sync signal. Negative logic.
- 6) HSYC
Outputs the horizontal sync signal. Negative logic.
- 7) CSYC
Outputs the composite sync signal. Negative logic.

1-5. RGB data output

- 1) VOFF
Mute input for R, G, and B outputs. When this pin is set to High, all the screens for the RGB output show the color set by the external CPU; the initial color setting is blue.
- 2) CBAR
When this pin is set to High, a color bar pattern is output from the RGB pin; the bar width varies with the color.
- 3) APCJ
When this pin is set to High, a black-and-white cross-hatch screen is output from the RGB pin.
- 4) ROUT
The red data analog output. It can be extracted by connecting a resistor; an output resistance of 200 Ω should be connected.
- 5) GOUT
The green data analog output. It can be extracted by connecting a resistor; an output resistance of 200 Ω should be connected.
- 6) BOUT
The blue data analog output. It can be extracted by connecting a resistor; an output resistance of 200 Ω should be connected.
- 7) VB
Connect this pin to ground through a capacitor of approximately 0.1 μ F.
- 8) IRF
Connect a resistor equal to 15 times the RGB signal output resistance (3k Ω resistance).
- 9) VRF
Sets the full-scale output value through external resistance dividing.
- 10) VG
Connect this pin to a power supply through a capacitor of approximately 0.1 μ F.

1-6. Clock

1) XIN, XOUT

In the NTSC mode, input the master clock (14.31818MHz) of this LSI. An oscillation circuit can be made by connecting X'TAL to the XIN and XOUT pins. (The capacitor values depend on the crystal oscillator.)
When not used, XIN should be connected to GND.

2) XTL1, XTL2

In the PAL mode, input the master clock (17.734475MHz) of this LSI. An oscillation circuit can be made by connecting the X'TAL to the XTL1 and XTL2 pins. (The capacitor values depend on the crystal oscillator.)
When not used, XTL1 should be connected to GND.

1-7. Others

1) XRST

Reset input. When this pin is set to Low, this LSI is reset.

2) CDG

The output goes to High after detection of a subcode input CD-G command. This signal is cleared by a reset input from the XRST pin.

3) TST0 to TSTD

Test pins. (These pins used for the shipping test of the LSI.)
Fix the TST0 to TST7 pins to Low.

2. CPU Interface

Each command can be input to this LSI by inputting address or data to the three pins; DIN, XLT and CLK, with the timing shown in Fig. 1.

Description of Each Command

The following explains the various functions of each command. The relations between the address and data of each command are summarized in Table 1.

2-1. Color setting commands for VOFF (address = CH)

The VOFF pin can make the screen monochromatic; the color then used is set using this command.

D7	D6	D5	D4	D3	D2	D1	D0
RGB select		(MSB)	colour data			—	—

The color is set using 4 bits for each of R, G and B. RGB select is used to select which of the colors R, G or B is to be set.

D7	D6	Color selected
0	0	Red
0	1	Green
1	0	Blue
1	1	Don't care

On reset, the values Red=[0000], Green=[0000], Blue=[1111] are set.

2-2. Graphic channel setting command (address = DH)

This command sets and releases each of the 16 graphic channels.

D7	D6	D5	D4	D3	D2	D1	D0
(MSB) Channel No.				Channel ON	—	—	—

(1) Channel ON

High ... The channel selected by the channel No. is set to High.

Low ... The channel selected by the channel No. is reset to Low.

Of the CD-G commands, the Write FONT and EOR FONT commands are executed only when the channel No. for those commands is set. On reset, only CH0 and CH1 can be set and the others are released.

Fig. 1. CPU interface data format

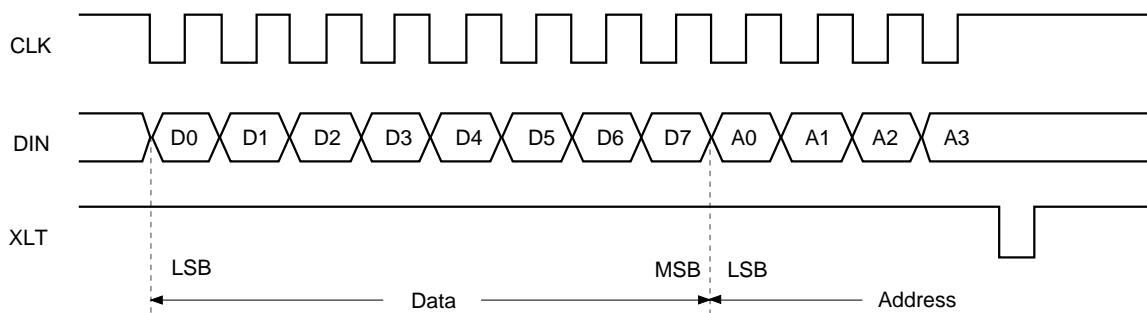
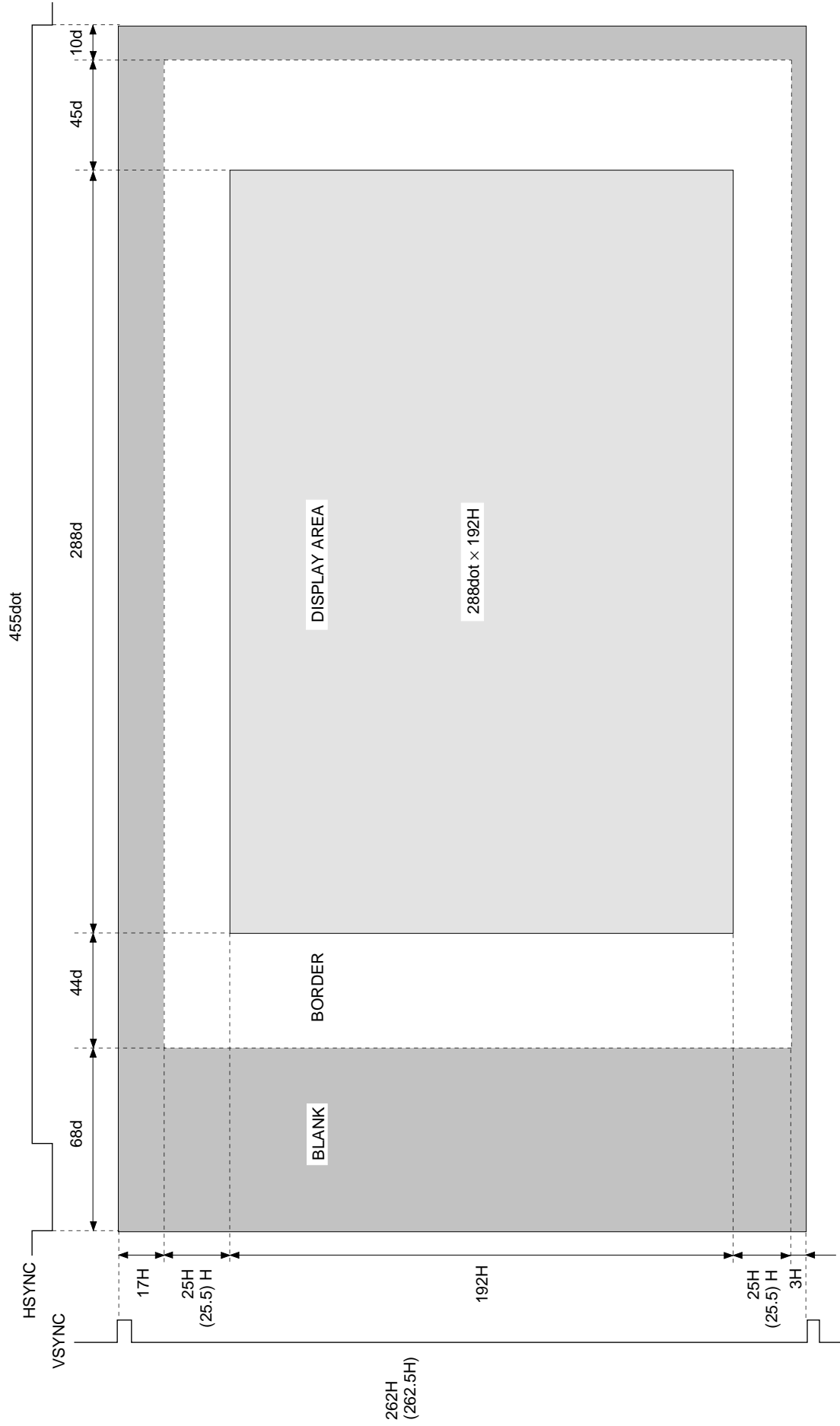


Table 1. List of CPU commands

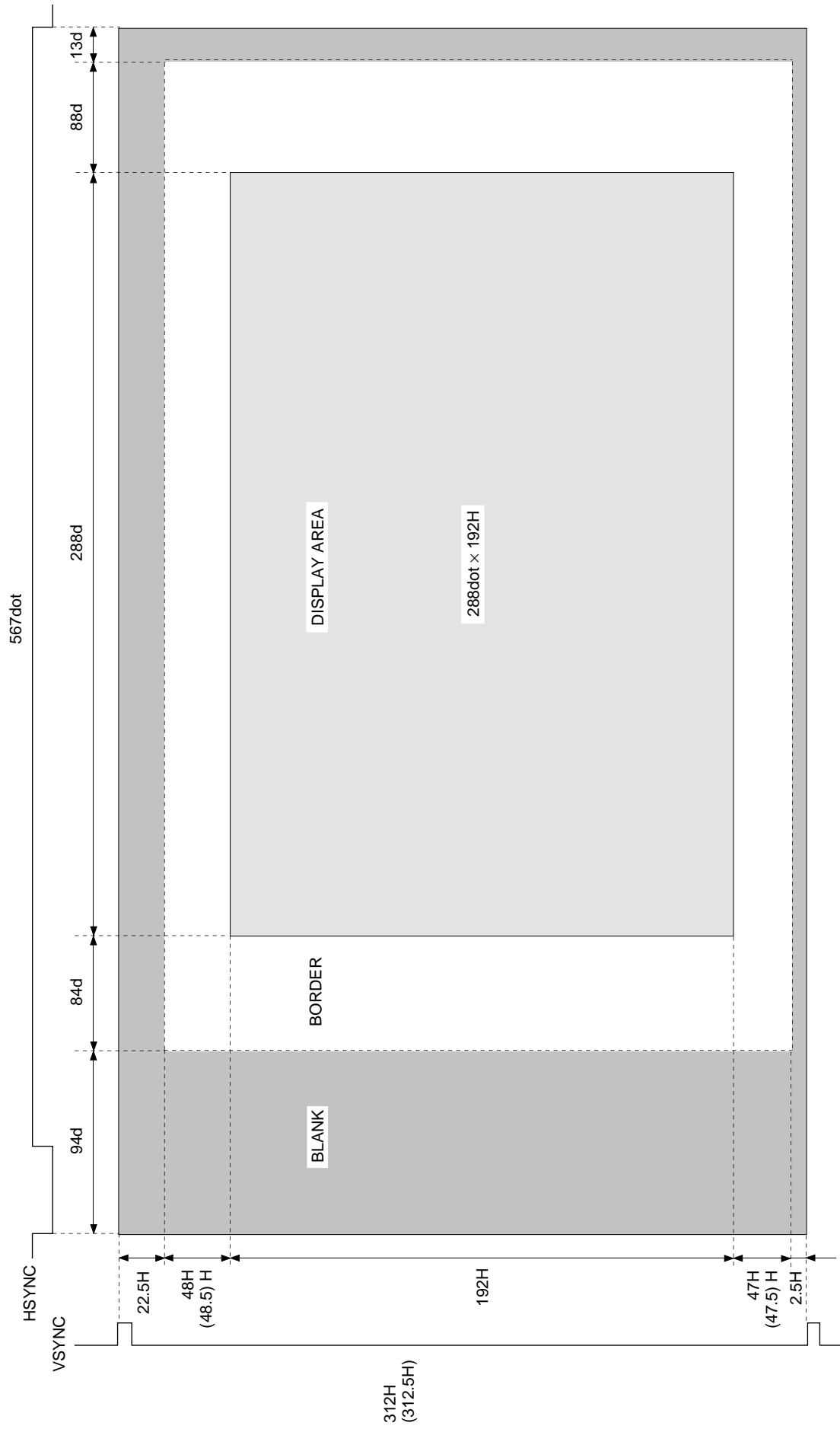
Register name	Command	Address				Data 1				Data 2			
		A3	A2	A1	A0	D7	D6	D5	D4	D3	D2	D1	D0
6	Reserved	0	1	1	0								
7	Reserved	0	1	1	1								
8	Reserved	1	0	0	0								
9	Reserved	1	0	0	1								
A	Reserved	1	0	1	0								
B	Reserved	1	0	1	1								
C	Color setting for VOFF	1	1	0	0	RGB Select	Color Data (MSB 2bit)		Color Data (LSB 2bit)		—	—	
D	Graphic channel setting	1	1	0	1	Channel No.			ch-ON	—	—	—	
E	Reserved	1	1	1	0								
F	Reserved	1	1	1	1								

Fig.2. NTSC Screen Composition



() Interface display inside parentheses.

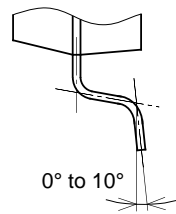
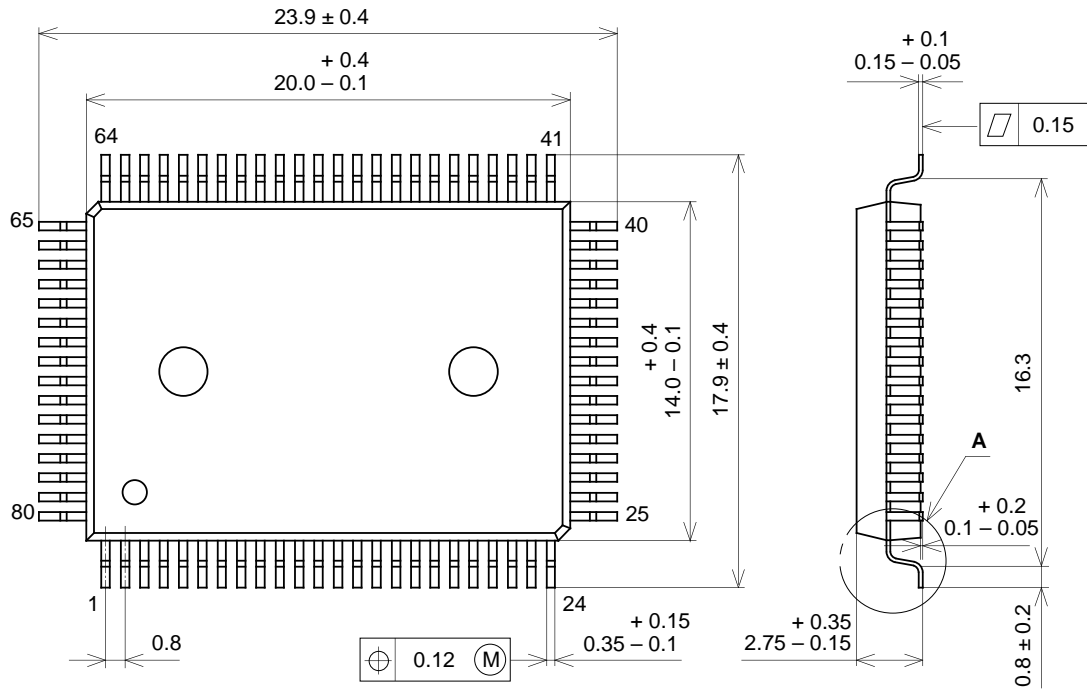
Fig. 3. PAL Screen Composition



() Interlace display inside parentheses.

Package Outline Unit: mm

80PIN QFP (PLASTIC)



DETAIL A

SONY CODE	QFP-80P-L01
EIAJ CODE	*QFP080-P-1420-A
JEDEC CODE	_____

PACKAGE STRUCTURE

PACKAGE MATERIAL	EPOXY RESIN
LEAD TREATMENT	SOLDER PLATING
LEAD MATERIAL	COPPER / 42 ALLOY
PACKAGE WEIGHT	1.6g