

# An Electronic Watt-Watt-Hour Meter

National Semiconductor  
Application Note 265  
February 1984



An Electronic Watt-Watt-Hour Meter

The continued emphasis on energy conservation has forced designers to consider the power consumption and efficiency of their products. While equipment for the industrial market must be designed with attention towards these factors, the consumer area is even more critical. The high cost of electricity has promoted a great deal of interest in the expense of powering various appliances. The watt-watt-hour meter outlined in *Figure 1* allows the designer to easily determine power consumption of any 115V AC powered device. The extremely wide dynamic range of the design allows measurement of loads ranging from 0.1W to 2000W.

Conceptually, the instrument is quite straightforward (*Figure 1*). The device to be monitored is plugged into a standard 110V AC outlet which is mounted on the front panel of the instrument. The AC line voltage across the monitored load is divided down and fed via an op amp to one input of a 4-quadrant analog multiplier. The current through the load is determined by the voltage across a low resistance shunt. Even at 20A the shunt "steals" only 133 mV, eliminating the inaccuracies a high resistance current shunt would contribute. This single shunt is used for all ranges, eliminating the need to switch in high impedance shunts to obtain adequate signal levels on the high sensitivity scales.

This provision is made possible by low uncertainty in the current amplifier, whose output feeds the other multiplier

input. Switchable gain at the current amplifier allows decade setting of instrument sensitivity. The instantaneous power product ( $E \times I$ ) drawn by the load is represented by the multiplier output. Because the multiplier is a 4-quadrant type, its output will be a true reflection of load power consumption, regardless of the phase relationship between voltage and current in the load. Because the multiplier and its associated amplifiers are connected directly to the AC line, they must be driven from a floating power supply. In addition, their outputs cannot be safely monitored with grounded test equipment, such as strip chart recorders. For this reason, the multiplier output drives an isolation amplifier which operates at unity gain but has no galvanic connection between its input and output terminals.

This feature is accomplished through pulse amplitude modulation techniques in conjunction with a small transformer, which provides isolation. The isolated amplifier output is ground referenced and may safely be connected to any piece of test equipment. This output is filtered to provide a strip chart output and drive the readout meter, both of which indicate load power consumption. The isolation amplifier output also biases a voltage-to-frequency converter which combines with digital counters to form a digital integrator. This allows power over time (watt-hours) to be integrated and displayed. Varying the divide ratio of the counters produces ranging of the watt-hour function.

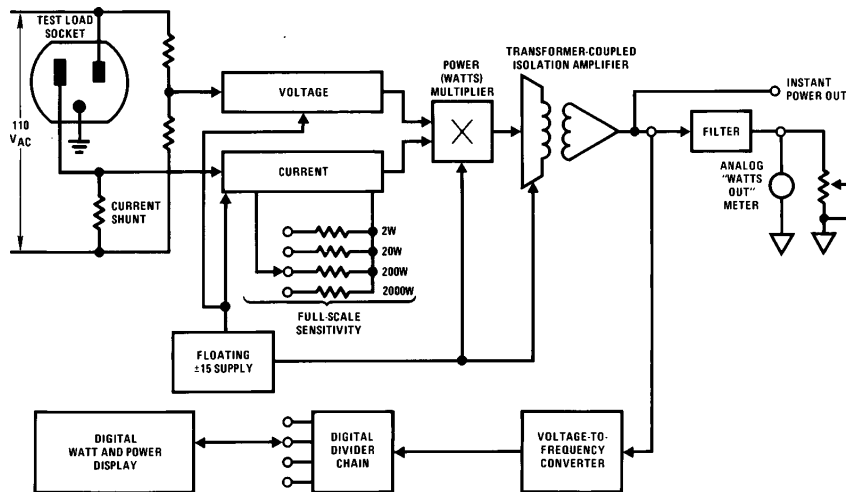
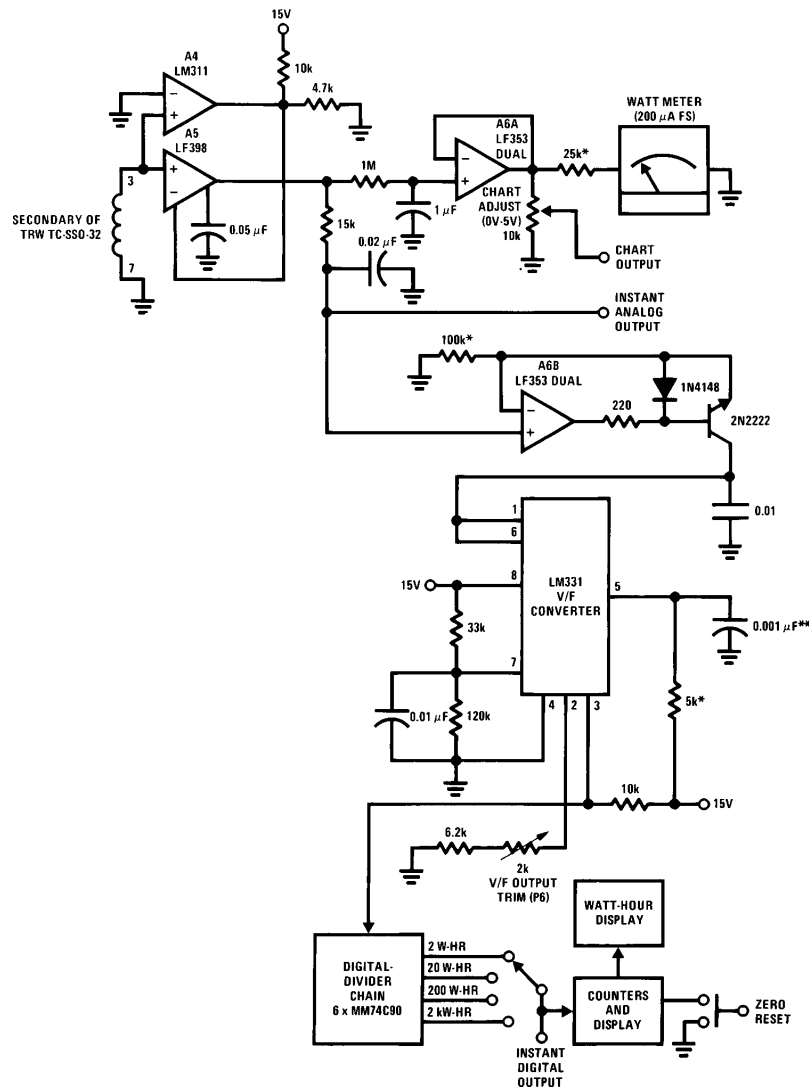


FIGURE 1

TL/H/5626-1

AN-265





**Note 1:** \*Resistors are 1% metal film types.

**Note 2:** \*\*Polystyrene capacitor.

**Note 3:** DO NOT connect (⊕) ground of this half of circuit to (⊕) ground of Figure 2a.

**Note 4:** ±15V power must come from a source other than floating supply of Figure 2a.

**Note 5:** Figure 2a and Figure 2b must be electrically isolated from each other.

TL/H/5626-3

**FIGURE 2b. Grounded Side of Circuit. This Circuit Can Safely Be Connected to a Chart Recorder or Computer Due to Isolation Provided by TRW Transformer.**

Figures 2a and 2b show the detailed schematic, with Figure 3 giving the waveforms of operation. The AC line is divided down by the 100 kΩ - 4.4 kΩ resistor string. 1/2 of A2 (amplifier A) serves as a buffer and feeds one input of an analog multiplier configuration. A1 monitors the voltage across the current shunt at a fixed gain of 100. The other half of A2 (B) provides additional gain and calibrated switching of wattage sensitivities from 2W to 2000W full-scale over four decade

ranges. The 1N1195 diodes and the 20A fuses protect A1 and the shunt in the event a short appears across the load test socket. The voltage and current signals are multiplied by a multiplier configuration comprised of amplifiers A3, C and D, and the LM394 dual transistors. The multiplier is of the variable transconductance type and works by using one input to vary the gain of an amplifier whose output is the other input of the multiplier.

The output of the multiplier (*Figure 3*, Trace A) represents the instantaneous power consumed by the load. This information is used to bias a pulse amplitude modulating isolation amplifier. The isolation amplifier is made up of A3 (A and B) and the discrete transistors. The A3 (A) oscillator output (*Figure 3*, Trace B) biases the Q1-Q2 switch, which drives a pulse transformer. A3 (B) measures the amplitude of the pulses at the transformer and servo controls them to be the same amplitude as its “+” input, which is biased from the multiplier output. Q3 provides current drive capability and completes the feedback path for A3 (B). *Figure 3*, Trace D shows the pulses applied to the transformer. Note that the amplitude of the pulses applied to the transformer forms an envelope whose amplitude equals the multiplier output. *Figure 3*, Trace C shows Q3’s emitter voltage changing to meet the requirements of the servo loop.

The amplitude modulated pulses appear at the transformer’s secondary, which is referenced to instrument ground. The amplitude of each pulse is sampled by A5, a sample-and-hold amplifier. The sample command is generated by A4. The output of A5 is lightly filtered by the  $15\text{ k}\Omega - 0.02\text{ }\mu\text{F}$  combination and represents a sampled version of the instantaneous power consumed in the load (*Figure 3*, Trace E). Heavy filtering by the  $1\text{ M}\Omega - 1\text{ }\mu\text{F}$  time constant produces a smoothed version of the power signal, which drives the watts meter and the strip chart output via the A6 (A) buffer. The watt-hour time integration function is provided by an LM331 voltage-to-frequency converter and a digital divider chain which form a digital integrator. The lightly filtered A5 output is fed to A6 (B) which is used to bias the V/F converter. The V/F output drives a divider chain. The ratio of the divider chain sets the time constant of the integrator and is used to switch the scale factor of the watt-hours display. The additional counters and display provide the digital readout in watt-hours. A zero reset button allows display reset.

#### INSTRUMENT CALIBRATION

To calibrate the instrument, pull the 20A fuses from their holders. Next, adjust P1 for 0.00V out at A2 (B) with the watts range switch in the 2 watt position. Then, disconnect both multiplier input lines and connect them to floating (“ $\pi$ ”) instrument ground. Adjust P2 for 0V out at A6 (A). Next, apply a 10 Vp-p 60 Hz waveform to the current input of the multiplier (leave the voltage input grounded) and adjust P3 for zero volts out at A6 (A). Then, reverse the state of the multiplier inputs and adjust P4 for zero volts out at A6 (A). Reconnect the multiplier input into the circuit. Read the AC line voltage with a digital voltmeter. Plug in a known load (e.g., 1% power resistor) to the test socket and adjust P5 until the meter reads what the wattage should be (wattage = line voltage<sup>2</sup>/resistance of load). Finally, lift A6’s (B’s) “+” input line, apply 5.00V to it, and adjust P6 until the LM331V/F output (pin 3) runs at 27.77 kHz. Reconnect A6’s (B’s) input. This completes the calibration.

#### APPLICATIONS

Once calibrated, the watt-watt-hour meter provides a powerful measurement capability. A few simple tests provide some surprising and enlightening results. The strip chart of *Figure 4a* shows the measured power a home refrigerator draws over 3½ hours at a temperature set-point of 7°C. Each time the compressor comes on, the unit draws about 260W. Actually, the strip chart clearly shows that as the compressor warms up over time, the amount of power drawn drops off a bit. The watt-hour display was used to record the total watt-hours consumed during this 3½ hour period. The data is summarized in the table provided. With the temperature control in the refrigerator set to maintain 5°C, just 2°C colder, it can be seen that the compressor duty cycle shifts appreciably (*Figure 4b*), over 6%! This factor is directly reflected in the kW-H/cycle and yearly operating cost columns. If you want your milk 2°C colder you will have to pay for it!

HORIZONTAL = 2 ms/DIV

A = 5V/DIV  
 B = 50V/DIV  
 C = 5V/DIV  
 D = 10V/DIV  
 E = 10V/DIV

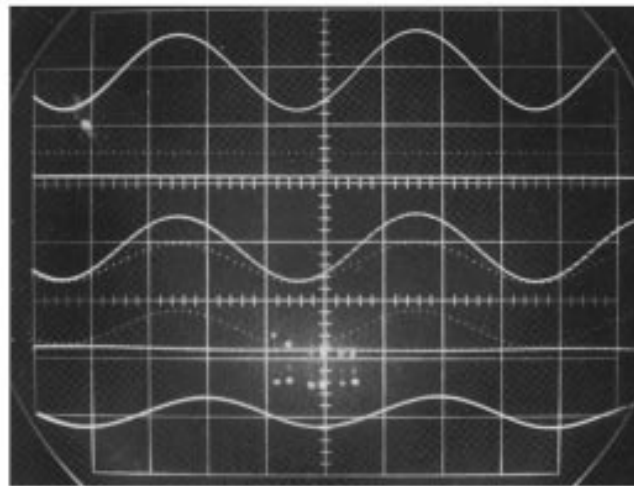
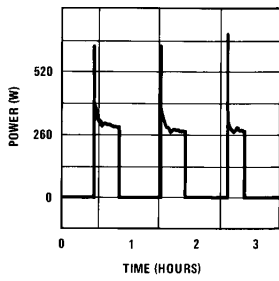


FIGURE 3

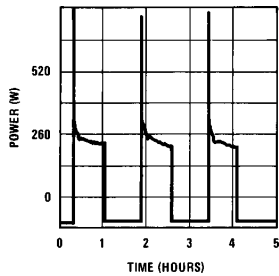
TL/H/5626-4



TL/H/5626-5

Temperature	Watts	Kilowatt-Hours/Cycle	Cost/Day	Cost/Year
5°C	260	0.119	\$0.1147	\$41.89
7°C	260	0.104	\$0.0998	\$36.44

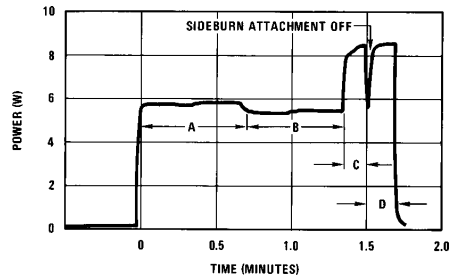
FIGURE 4a. Temperature = 7.0°C  
Compressor Duty Cycle = 40%



TL/H/5626-6

FIGURE 4b. Temperature = 5.0°C  
Compressor Duty Cycle = 46%

The strip chart of Figure 5 is somewhat less depressing but no less informative. In this example, the watt-watt-hour meter was used to record power consumption during morning shaving with an electric razor. From the strip chart and the table it can be seen that various facial areas cost more to shave than others. The high power drawn by the sideburn attachment on the razor is somewhat compensated for by the relatively short period of time it is in use. A complete shave, including the 4 areas listed, costs 0.00692 cents/day or 8.68 cents per year. If this is too high, you can economize by growing a beard.



TL/H/5626-7

Facial Area	Power (W)	Watt-Hours	Cost (at 4¢ Kilowatt-Hours) Per Shave
Cheeks ("A")	5.8	0.173	0.00692¢
Upper/Lower Lip ("B")	5.4	0.123	0.00492¢
Right Sideburn ("C")	8.4	0.063	0.00252¢
Left Sideburn ("D")	8.4	0.061	0.00244¢

FIGURE 5

**LIFE SUPPORT POLICY**

NATIONAL'S PRODUCTS ARE NOT AUTHORIZED FOR USE AS CRITICAL COMPONENTS IN LIFE SUPPORT DEVICES OR SYSTEMS WITHOUT THE EXPRESS WRITTEN APPROVAL OF THE PRESIDENT OF NATIONAL SEMICONDUCTOR CORPORATION. As used herein:

1. Life support devices or systems are devices or systems which, (a) are intended for surgical implant into the body, or (b) support or sustain life, and whose failure to perform, when properly used in accordance with instructions for use provided in the labeling, can be reasonably expected to result in a significant injury to the user.
2. A critical component is any component of a life support device or system whose failure to perform can be reasonably expected to cause the failure of the life support device or system, or to affect its safety or effectiveness.



**National Semiconductor Corporation**  
1111 West Bardin Road  
Arlington, TX 76017  
Tel: 1(800) 272-9959  
Fax: 1(800) 737-7018

**National Semiconductor Europe**  
Fax: (+49) 0-180-530 85 86  
Email: [cnjwge@tevm2.nsc.com](mailto:cnjwge@tevm2.nsc.com)  
Deutsch Tel: (+49) 0-180-530 85 85  
English Tel: (+49) 0-180-532 78 32  
Français Tel: (+49) 0-180-532 93 58  
Italiano Tel: (+49) 0-180-534 16 80

**National Semiconductor Hong Kong Ltd.**  
19th Floor, Straight Block,  
Ocean Centre, 5 Canton Rd.  
Tsimshatsui, Kowloon  
Hong Kong  
Tel: (852) 2737-1600  
Fax: (852) 2736-9960

**National Semiconductor Japan Ltd.**  
Tel: 81-043-299-2309  
Fax: 81-043-299-2408

National does not assume any responsibility for use of any circuitry described, no circuit patent licenses are implied and National reserves the right at any time without notice to change said circuitry and specifications.